

DATE
January 20, 2009
CAT. #:

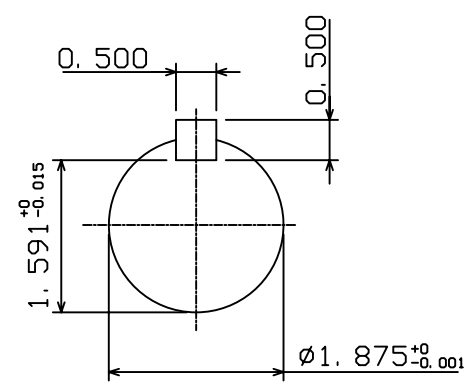
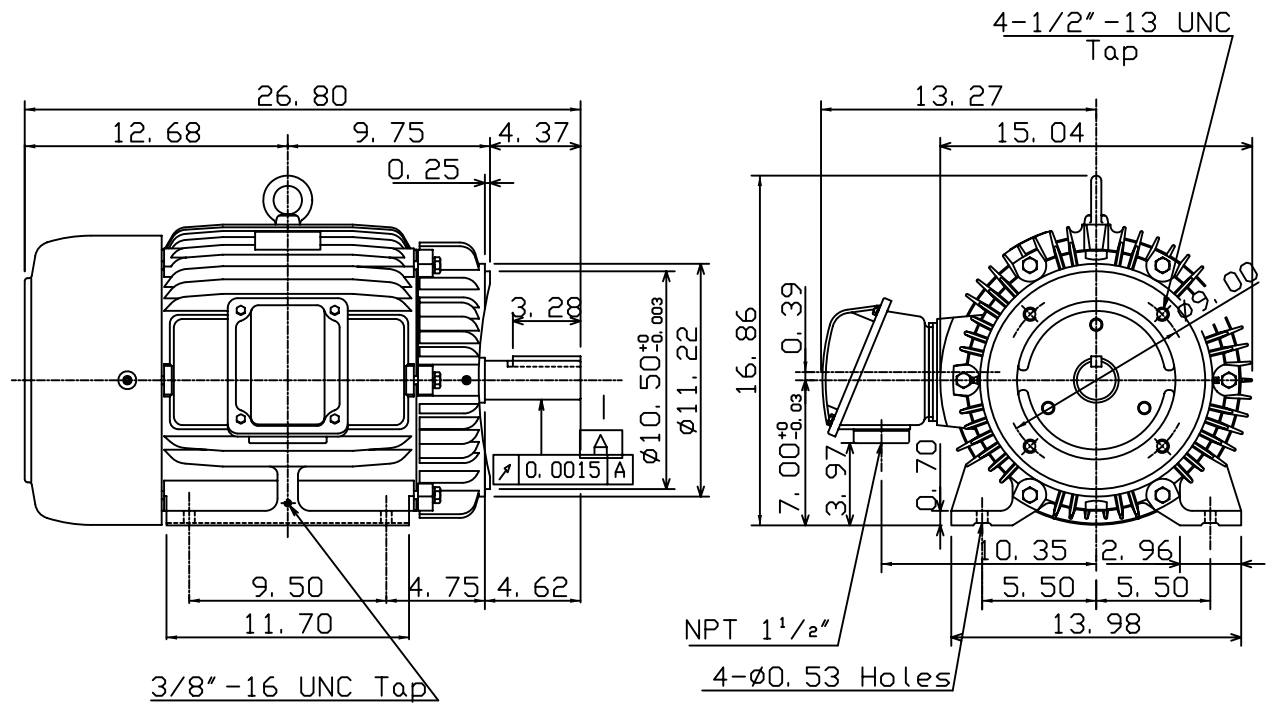
OUTLINE DIMENSIONS
3-PHASE INDUCTION MOTOR

MOTOR TYPE:
AEHH8B-CF
FRAME NO. 284TC

Pole	HP	kW	Hz	VOLT	Syn. Speed r/min(rpm)
4/6/8

Ins	Rating	Dimension in	Approx Weight	Bearings
F	CONT.	inches	441 LBS	DE: 6311ZC3 NDE: 6310ZC3

Totally Enclosed Fan Cooled Type. Squirrel-cage Rotor.



Note:
1. Motor Vibration: 15µ.
2. Inpro/Seal in Both End Brackets

① 01.03.09		
------------	--	--

DWN.	???????	01-19-05
CHKD.	???????	01-02-09
APPD.	???????	01-02-09



DWG NO.
31049M627411