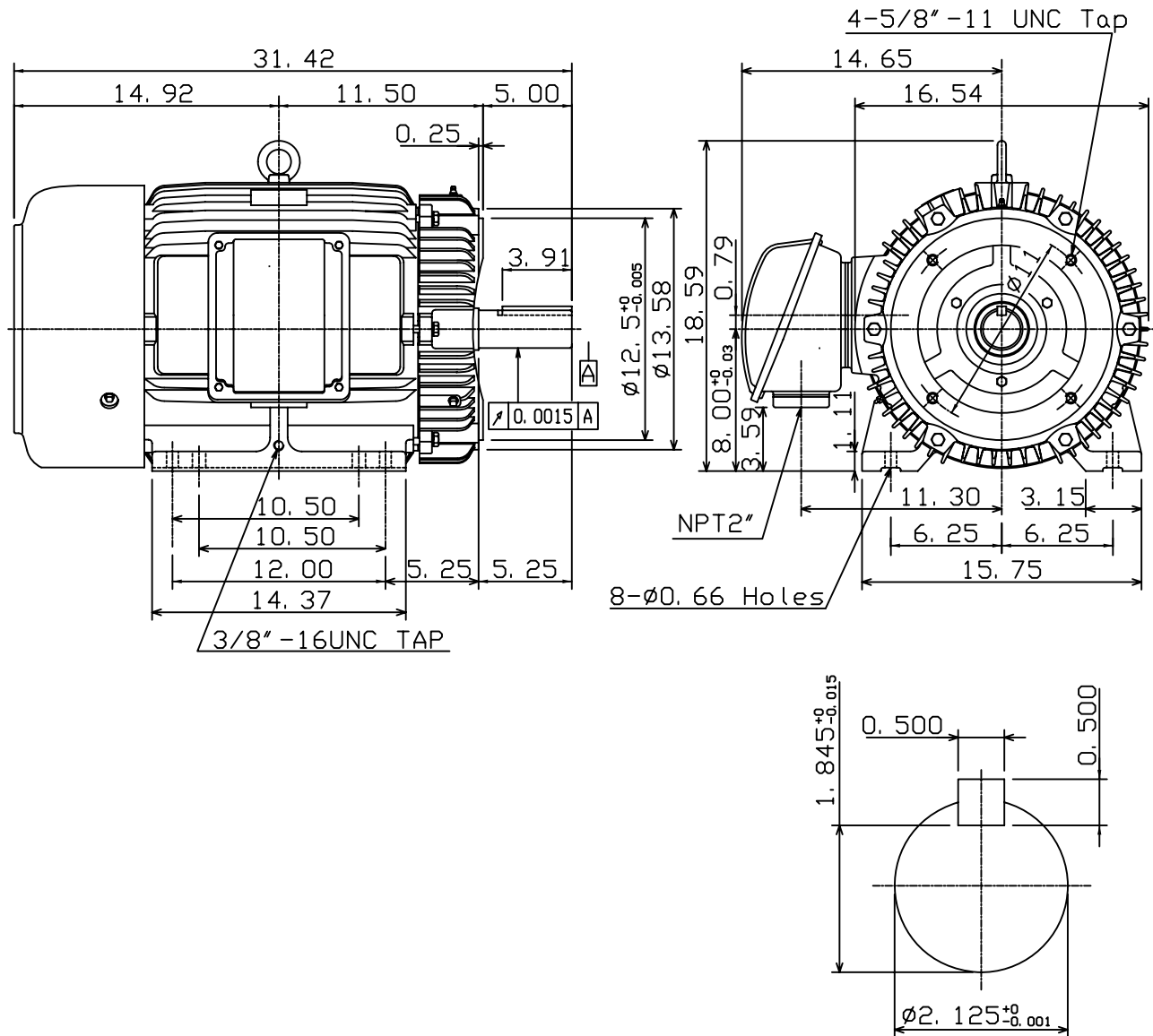


DATE January 20, 2009	OUTLINE DIMENSIONS 3-PHASE INDUCTION MOTOR	MOTOR TYPE: AEHH8B-CF
CAT. #:		FRAME NO. 326TC

Pole	HP	kW	Hz	VOLT	Syn. Speed r/min(rpm)
4/6/8	.	.	.	.	.

Ins	Rating	Dimension in	Approx Weight	Bearings	
F	CONT.	inches	744 LBS	DE: 6312ZC3	NDE: 6212ZC3

Totally Enclosed Fan Cooled Type. Squirrel-Cage Rotor.



Note:  
 1. Motor Vibration: 15 $\mu$ .  
 2. Inpro/Seal in Both End Brackets

$\diamond$		
------------	--	--

DWN. K. L. KUO 01-19-05	TEC   Westinghouse	DWG NO.
CHKD. C. H. KAO 02-01-05		31049M630200
APPD. M. C. TSAI 02-01-05		