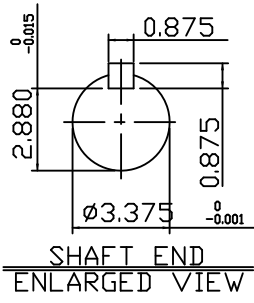
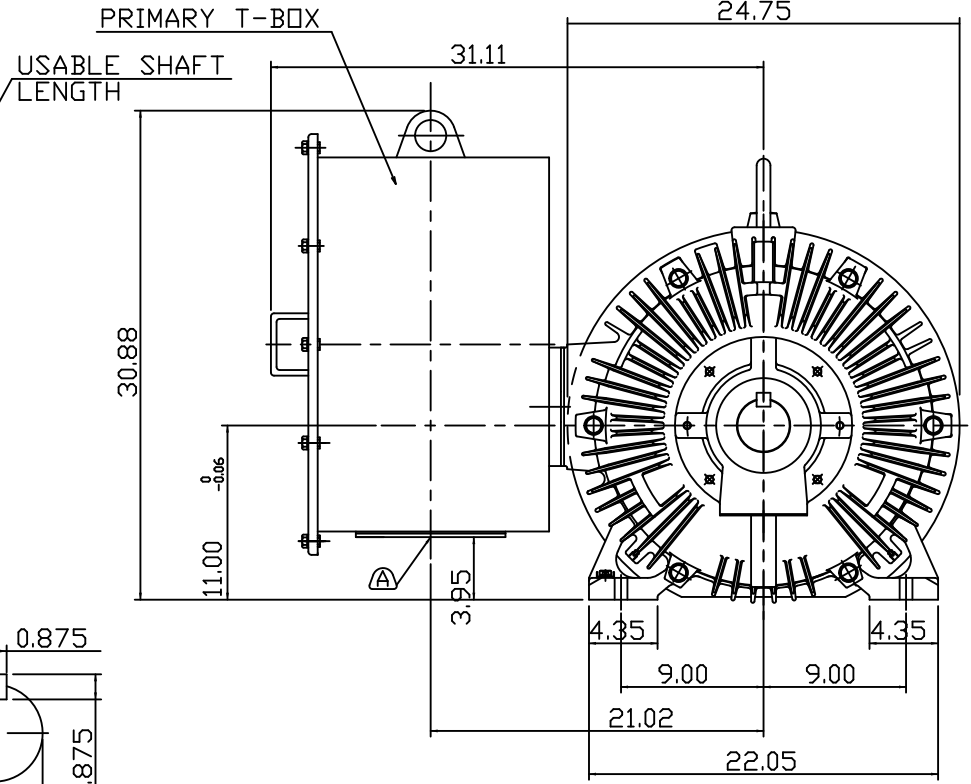
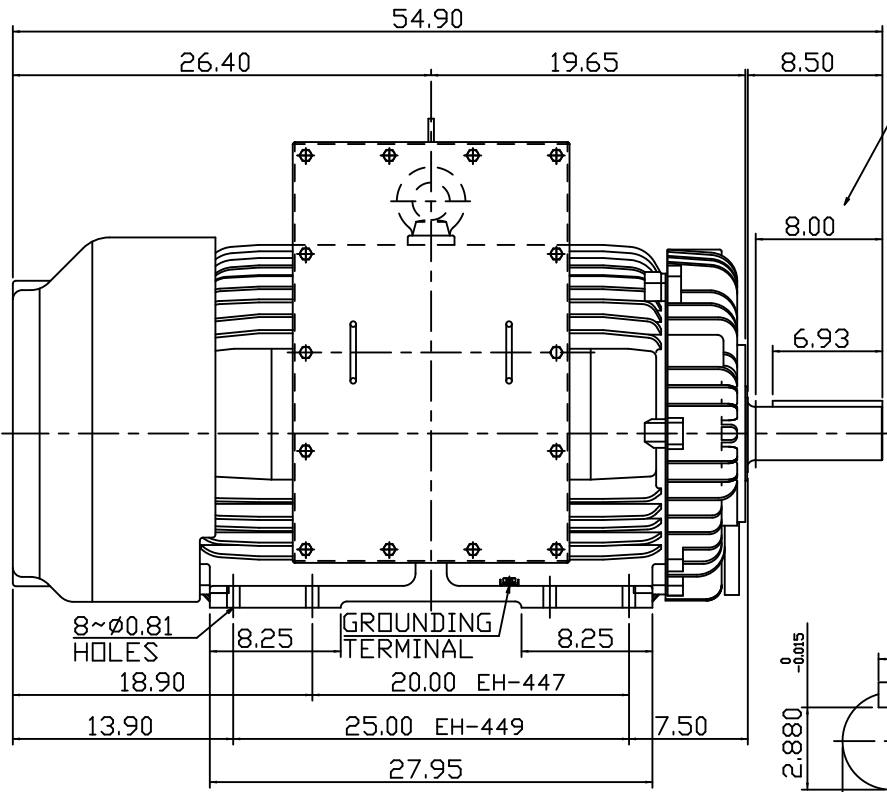


11 10 9 8 7 6 5 4 3 2 1

TYPE	OUTPUT		POLE	TIME RATING	VOLTAGE V	Hz	SYN. SPEED R.P.M
	HP.	KW.					
AEHH8B	200	149	8	CONT.	460	60	900

TOTALLY ENCLOSED FAN-COOLED TYPE. SQUIRREL-CAGE ROTOR

G
F
E
D
C
B
A
第三角法
a



- NOTE:
1. DIMENSIONS IN INCH
 2. FRAME NO. 449T
 3. F CLASS INSULATION, S.F.1.15
 4. FOR DIRECT FLEXIBLE COUPLING
 5. ENCLOSURE: IP55
 6. BEARING SIZE: DRIVE END: 6320C3
NON-DRIVE END: 6316C3
 7. APPROX. WEIGHT: 2880 LBS
 8. INPRO SEAL ON BOTH ENDS.
 9. NON-SPARKING FAN.
 10. NOISE BELOW 83 DBA AT 1 METER AT NO LOAD.
 11. VIBRATION VERTICAL/HORIZONTAL BELOW 0.08 IN/SEC
AXIAL BELOW 0.06 IN SEC./

△ REMOVABLE COVER FOR CABLE ENTRY TO BE DRILLED BY THE CUSTOMER.

DATE 06-17-11	OUTLINE DIMENSIONS
CATALOG #HB2008	3-PHASE INDUCTION MOTOR

DWN.	T.H.Pan	FEB •18 •2005
CHKD.	H.HUANG	FEB •18 •2005
APPD.	C.WANG	FEB •18 •2005

TECO Westinghouse

DWG NO. 31057C454970
REV: 00

11 10 9 8 7 6 5 4 3 2 1