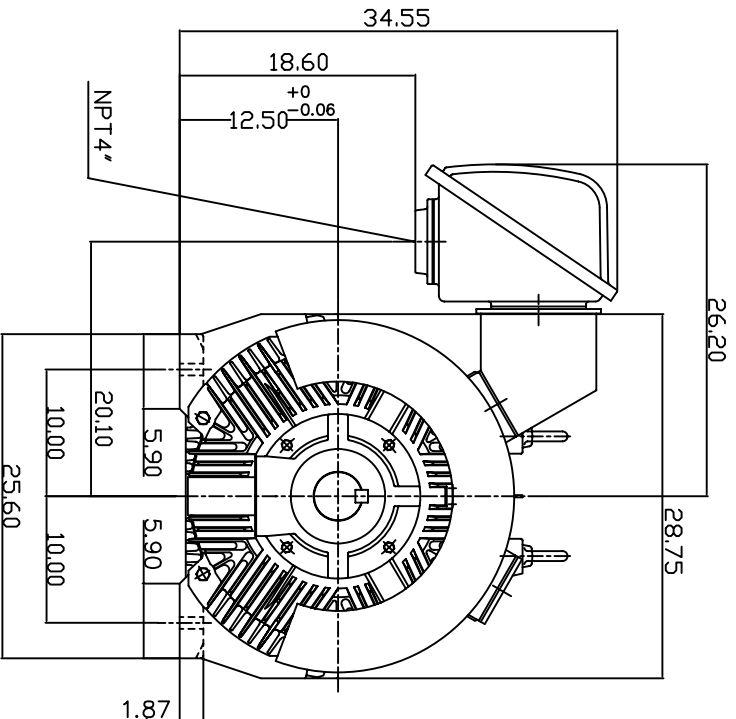
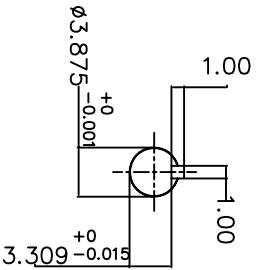
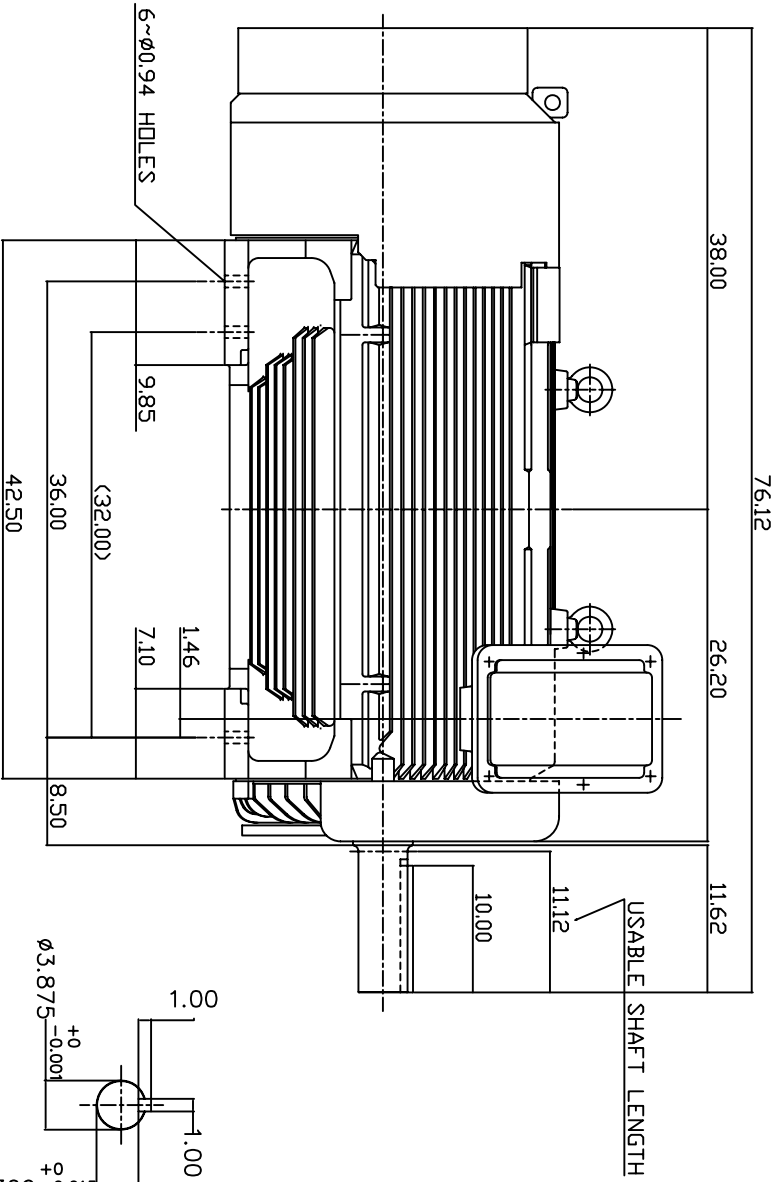


TYPE	OUTPUT		POLE	TIME RATING	VOLTAGE	Hz	SYNSPEED R.P.M
	HP.	KW.					
AEH8B	400	298	6	CDNT.	380	50	1000

TOTALLY ENCLOSED FAN-COOLED TYPE, SQUIRREL-CAGE ROTOR



NOTE: 1. DIMENSIONS IN INCH.

2. FRAME NO: 5011B (5010B)
3. F CLASS INSULATION, S.F.1.0
4. FOR DIRECT DRIVE APPLICATION
5. BEARING SIZE: NON-DRIVE END: 6324
6. MOTOR APPROX. WEIGHT: 4900 LBS
7. ENCLOSURE: IP55
8. INPRD SEAL ON BOTH ENDS.
9. NON-SPARKING FAN.
10. NOISE BELOW 83 DBA AT 1 METER AT NO LOAD.
11. VIBRATION VERTICAL/HORIZONTAL BELOW 0.08 IN/SEC AXIAL BELOW 0.06 IN/SEC.

TV-56C

DWN.	W.L.LIN	DATE
CHKD.	W.L.LIN	MAR-03-2003
APPD.	C.WANG	MAR-03-2003

DATE	OUTLINE DIMENSIONS
Oct. 22, 2007	3-PHASE INDUCTION MOTOR
CATALOG NO.	DWG NO.
HB4006-50	3A040T180-3



REV: 00