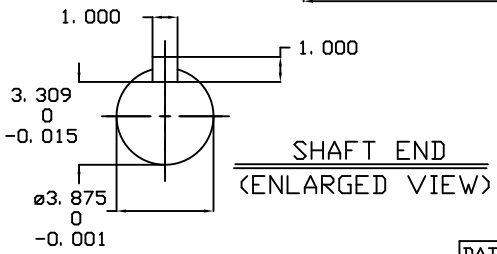
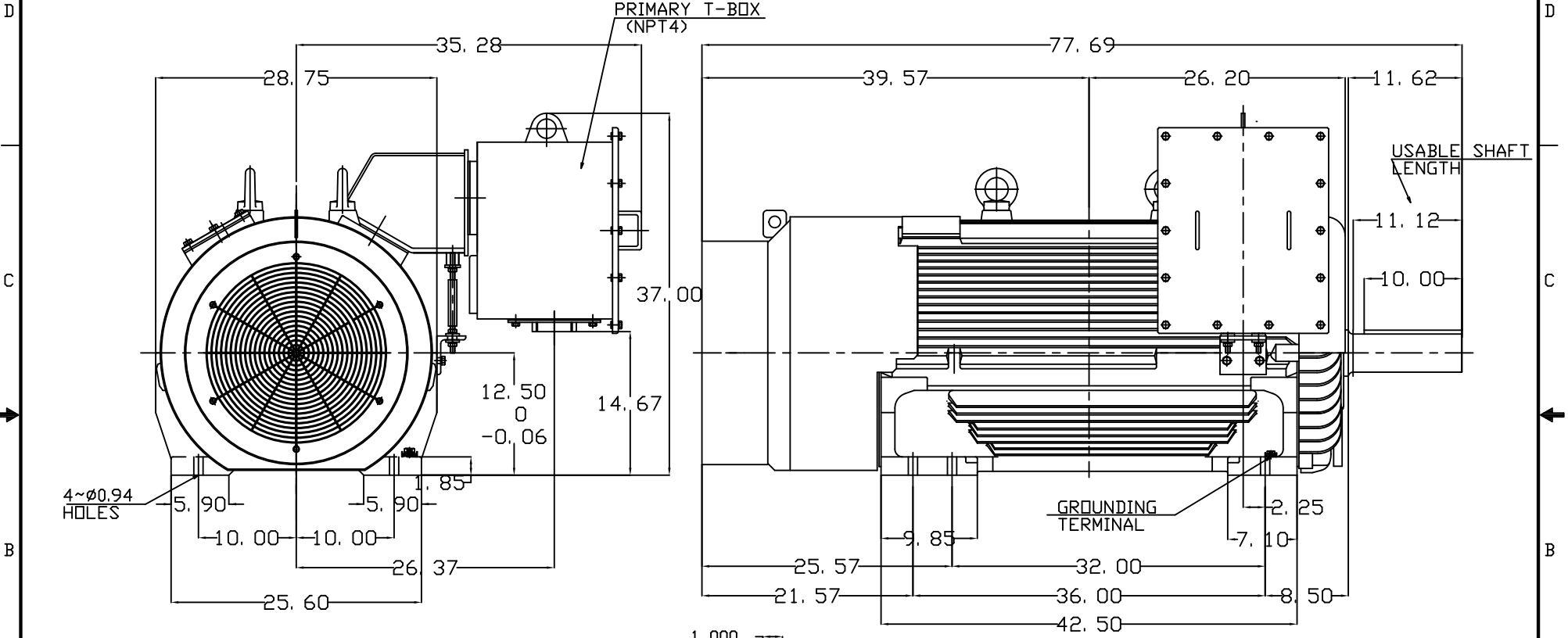


6 5 4 3 2 1

TYPE	OUTPUT		POLE	TIME RATING	VOLTAGE V	Hz	SYN.SPEED R.P.M
	HP.	kW.					
AEHH-8B	400	298	6	CONT.	460	60	1200

TOTALLY ENCLOSED FAN-COOLED TYPE, SQUIRREL-CAGE ROTOR

PRIMARY T-BOX (NPT4)



- NOTE:
1. DIMENSIONS IN inch
  2. FRAME NO. 5011B(5010B)
  3. F CLASS INSULATION, S.F.1.15
  4. FOR DIRECT FLEXIBLE COUPLING
  5. ENCLOSURE: IP55
  6. BEARING SIZE: DRIVE-END 6324C3  
OPP. DRIVE-END 6320C3
  7. BOTH ENDS BEARING ARE INPRO SEAL
  8. NON-SPARKING FAN
  9. MOTOR APPROX. WEIGHT: 4900 lb

DATE			3-25-2015		OUTLINE DIMENSIONS	
HB4006					3-PHASE INDUCTION MOTOR	
DWN.	J.WU	APR-14-2014	TEC Westinghouse		DWG NO.	REV:00
CHKD.	W.CHENG	APR-28-2014			4B040C149	
APPD.	C.SHIH	APR-28-2014				

6 5 4 3 2 1