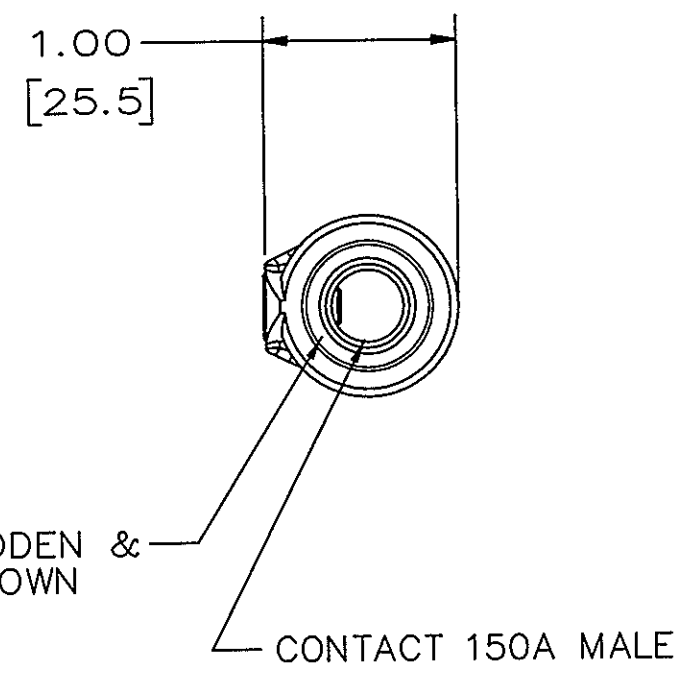
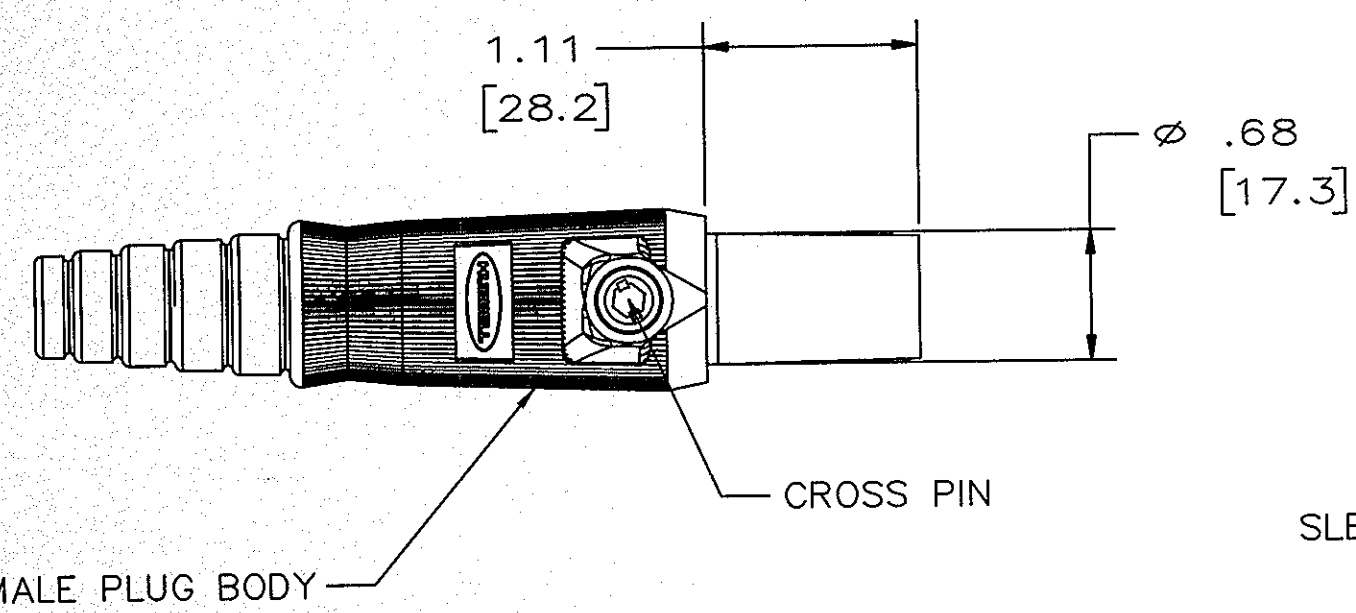
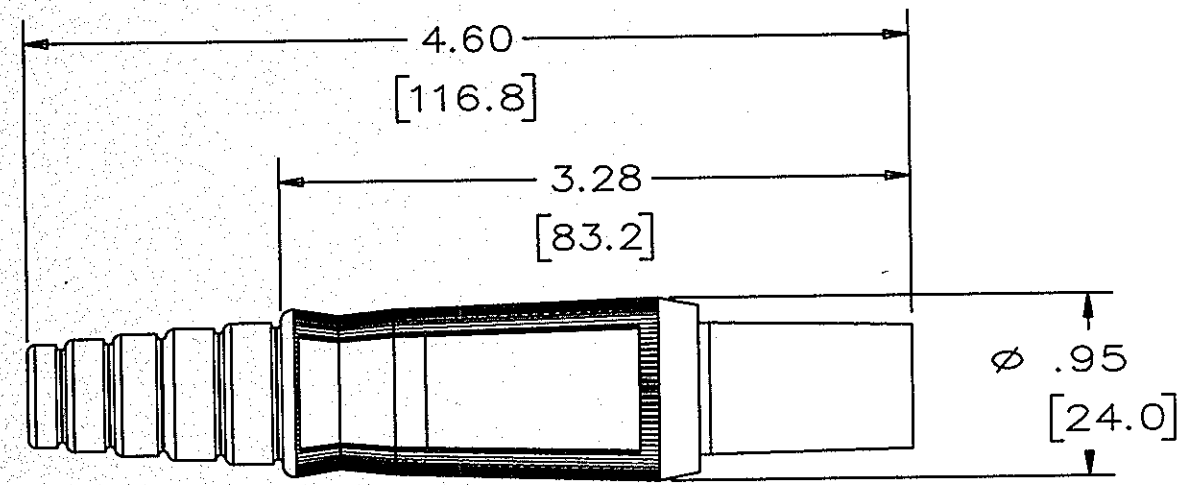


M-9725 3

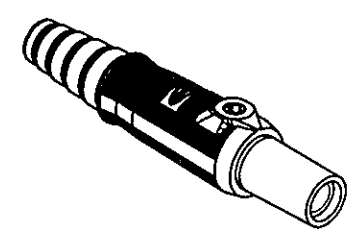


- NOTES:
1. DIMENSIONS ARE INCHES ±.02 [mm] ±.5
 2. WIRE SIZE: 8 AWG - 2 AWG, COPPER ONLY. CABLE TYPE SC.
 3. RATING 600VAC/250VDC 150 AMPS
 4. UL/c-UL ENCLOSURE TYPES 3R, 4X, 12, SEE INSTRUCTION SHEET
 5. 5/16-24 UNF-2A X 3/8 LG. 5/32 SOCKET HEAD SET SCREWS, LEAD WIRE, COPPER SHEET & FERRULE NOT SHOWN.

HUBBELL CAT. NO.	COLOR
HBL15FBK	BLACK
HBL15FW	WHITE
HBL15FGN	GREEN
HBL15FR	RED
HBL15FBL	BLUE

LIST OF PARTS

DESCRIPTION	MATERIAL	FINISH
MALE PLUG BODY	TPE	SEE TABLE
SLEEVE	NYLON	BLACK
CONTACT 150A MALE	BRASS	
RIVET	BRASS	
PIN	NYLON	BLACK
SET SCREW	STEEL	NICKEL
LEAD WIRE	COPPER	
COPPER SHEET	COPPER	
FERRULE	COPPER	TIN PLATE



CATALOG NO: HBL15FBK (NOT SHOWN TO SCALE)

SYM	REVISIONS	APP	DATE
3	ADDED ISO VIEW TO INDICATE SOLID MODEL EMBEDDED IN DRAWING. PER DCN 21895 DDL	DJP	02/25/16
2	UPDATED PER DCN 19061 CAC	CAC	08/27/12
1	RELEASE PER DCN#12733 PJT	TB	12/16/05

THE DESIGN AND DIMENSIONS OF THE PRODUCT SHOWN ON THIS DRAWING ARE SUBJECT TO CHANGE WITHOUT NOTICE

TITLE SINGLE POLE 150A FEMALE PLUGS

TOLERANCES UNLESS OTHERWISE SPECIFIED .XX = ±.01 .XXX = ±.005 ANGLES = ±2°	WIRING DEVICE-KELLEMS HUBBELL INCORPORATED SHELTON, CT	
	DR. BY PJT	APP. BY TB
	TR. BY	SCALE 1:1
	CHK'D BY	DATE 12/16/05

DIMENSION SHEET FOR CAT. NO. M-9725
 REPAIRABLE NON-REPAIRABLE
 B
 3