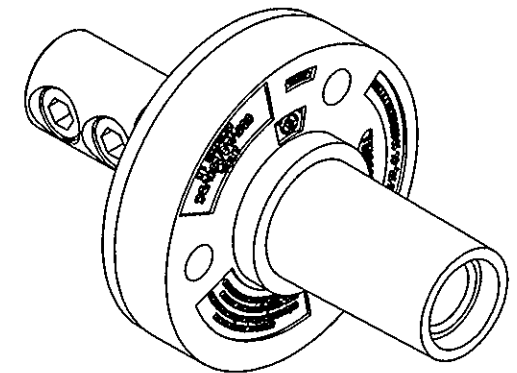
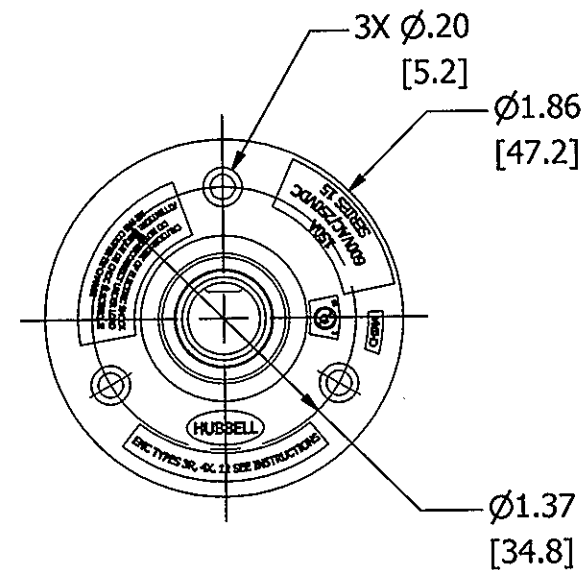
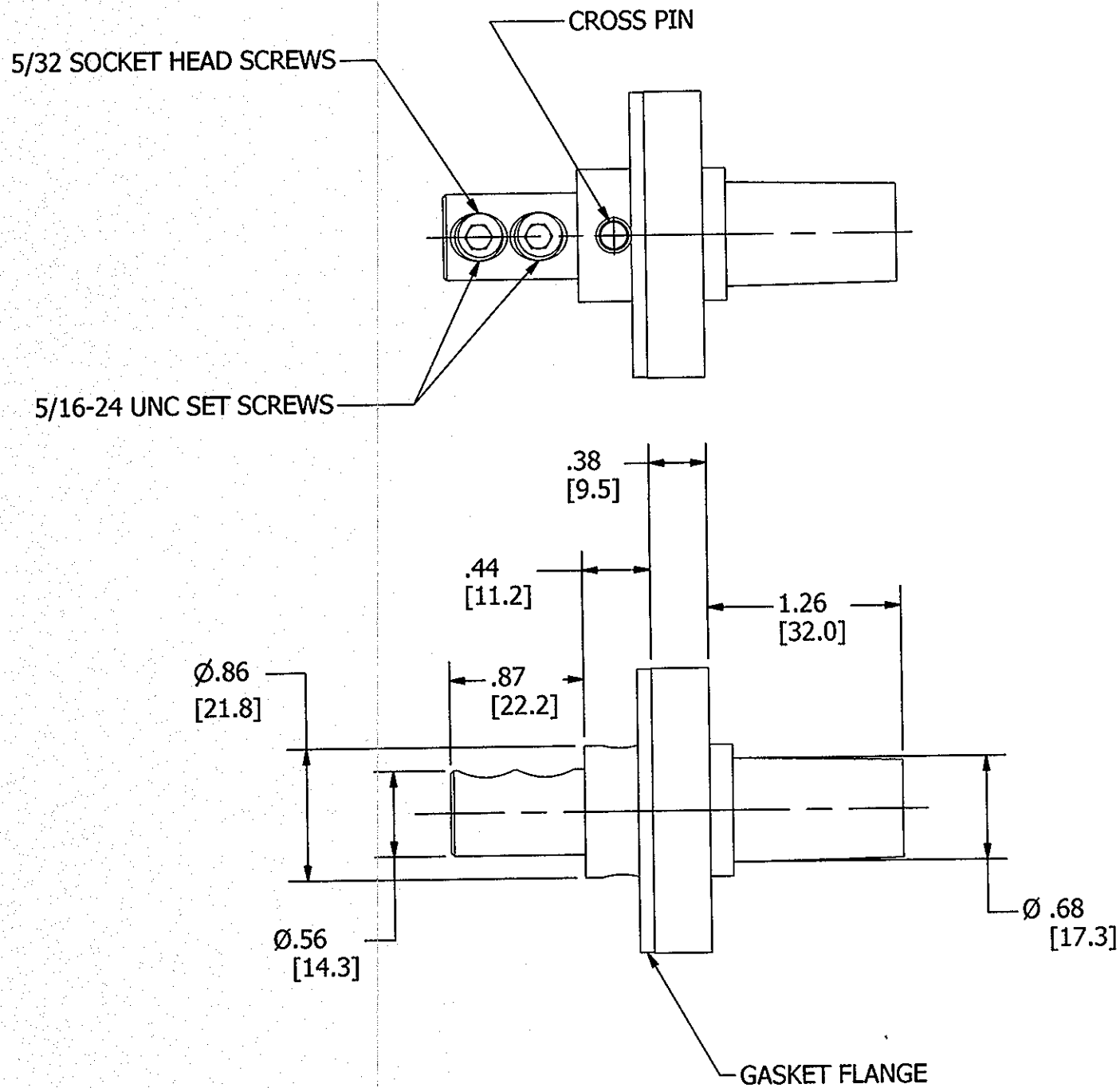


M-9733

4



**CATALOG NO: HBL15FRBK
(NOT SHOWN TO SCALE)**

LIST OF PARTS		
DESCRIPTION	MATERIAL	FINISH
HOUSING	PBT	SEE TABLE
RIVET	BRASS	
CONTACT FEMALE	BRASS	
SET SCREWS	STEEL	NICKEL PL.
CROSS PIN	PBT	
GASKET FLANGE	NEOPRENE	

4	REDRAWN WITH EMBEDDED CAD MODEL WITH NO CHANGES TO PART GEOMETRY. PER DCN 21895 SPN	DJP	2/5/16
REV	DESCRIPTION	APP	DATE

THE DESIGN AND DIMENSIONS OF THE PRODUCT SHOWN ON THIS DRAWING ARE SUBJECT TO CHANGE WITHOUT NOTICE

TITLE
150A SINGLE POLE FEMALE RECEPTACLE WITH DOUBLE SET SCREWS

TOLERANCES UNLESS OTHERWISE SPECIFIED		WIRING DEVICE-KELLEMS HUBBELL INCORPORATED SHELTON, CT	
.XX = ± .01	.XXX = ± .005	DR. BY PJT	APP. BY TB
ANGLES = ± 2'		TR. BY	SCALE 1:1
		CHK. BY	DATE 12-19-05

- NOTES:
1. DIMENSIONS ARE INCHES ±.02 [mm] ±.5
 2. RATING: 600VAC/250VDC 150 AMP SERIES 15.
 3. UL/c-UL ENCLOSURE TYPES 3R, 4X, 12.

HUBBELL CAT. NO.	COLOR
HBL15FRBK	BLACK
HBL15FRW	WHITE
HBL15FRGN	GREEN
HBL15FRR	RED
HBL15FRBL	BLUE

DIMENSION SHEET FOR CAT. NO. SEE TABLE

REPAIRABLE NON-REPAIRABLE

B

M-9733

4