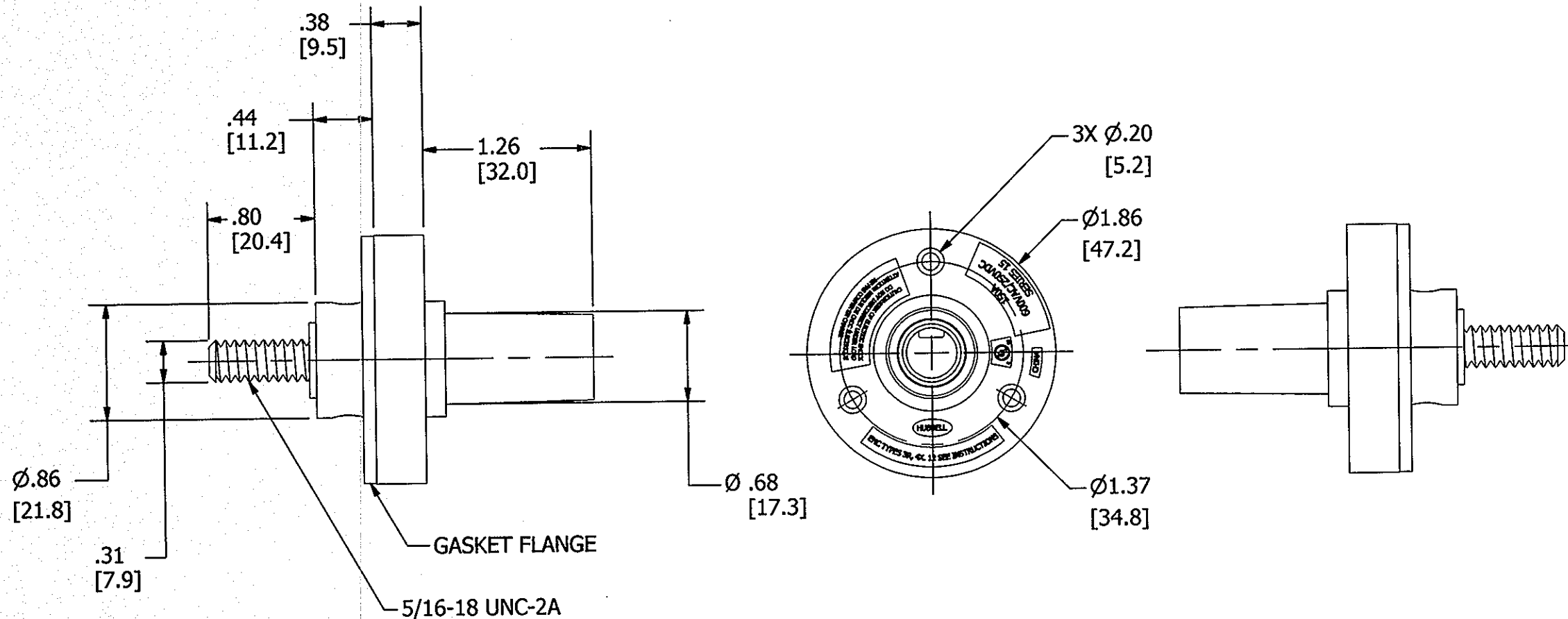
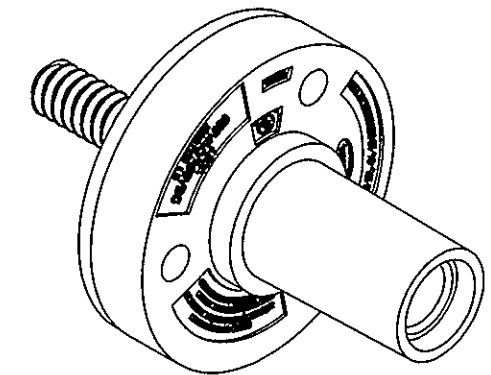


M-9731

4



LIST OF PARTS		
DESCRIPTION	MATERIAL	FINISH
HOUSING	PBT	SEE TABLE
RIVET	BRASS	
CONTACT FEMALE	BRASS	
CROSS PIN	PBT	BLACK
GASKET FLANGE	NEOPRENE	



**CATALOG NO: HBL15FRSBK
(NOT SHOWN TO SCALE)**

4	REDRAWN WITH EMBEDDED CAD MODEL WITH NO CHANGES TO PART GEOMETRY. PER DCN 21895 SPN	DJP	2/5/16
REV	DESCRIPTION	APP	DATE

THE DESIGN AND DIMENSIONS OF THE PRODUCT SHOWN ON THIS DRAWING ARE SUBJECT TO CHANGE WITHOUT NOTICE

TITLE
SINGLE POLE FEMALE RECEPTACLE W/STUD

TOLERANCES UNLESS OTHERWISE SPECIFIED .XX = ± .01 .XXX = ± .005 ANGLES = ± 2°	WIRING DEVICE-KELLEMS HUBBELL INCORPORATED SHELTON, CT			
	DR. BY	PJT	APP. BY	TB
	TR. BY		SCALE	1:1
	CHK. BY		DATE	12-19-05

- NOTES:
1. DIMENSIONS ARE INCHES ±.02 [mm] ±.5
 2. RATING: 600VAC/250VDC 150 AMP.
 3. UL/c-UL ENCLOSURE TYPES 3R, 4X, 12.

HUBBELL CAT. NO.	COLOR
HBL15FRSBK	BLACK
HBL15FRSW	WHITE
HBL15FRSGN	GREEN
HBL15FRSR	RED
HBL15FRSBL	BLUE

DIMENSION SHEET FOR CAT. NO. M-9731
 SEE TABLE
 REPAIRABLE NON-REPAIRABLE
B
M-9731
4