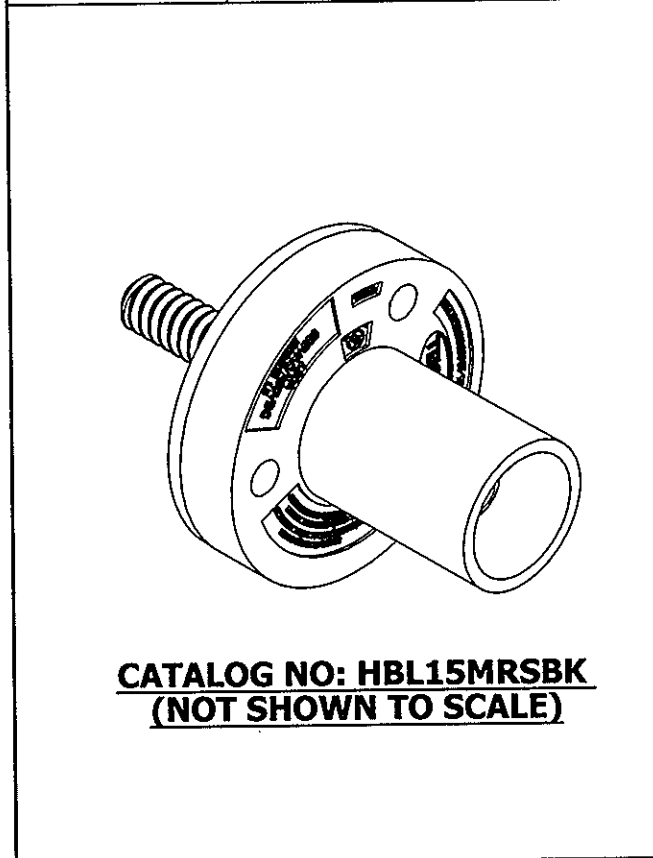


LIST OF PARTS		
DESCRIPTION	MATERIAL	FINISH
HOUSING	PBT	SEE TABLE
CONTACT MALE	BRASS	
CROSS PIN	PBT	
GASKET FLANGE	NEOPRENE	



4	REDRAWN WITH EMBEDDED CAD MODEL WITH NO CHANGES TO PART GEOMETRY. PER DCN 21895 SPN	DJP	2/5/16
REV	DESCRIPTION	APP	DATE

THE DESIGN AND DIMENSIONS OF THE PRODUCT SHOWN ON THIS DRAWING ARE SUBJECT TO CHANGE WITHOUT NOTICE

TITLE  
SINGLE POLE MALE RECEPTACLE W/STUD

TOLERANCES UNLESS OTHERWISE SPECIFIED .XX = ± .01 .XXX = ± .005 ANGLES = ± 2°	WIRING DEVICE-KELLEMS HUBBELL INCORPORATED SHELTON, CT			
	DR. BY	PJT	APP. BY	TB
	TR. BY		SCALE	1:1
	CHK. BY		DATE	12-19-05

- NOTES:
1. DIMENSIONS ARE INCHES ±.02 [mm] ±.5
  2. RATING: 600VAC/250VDC 150 AMP SERIES 15.
  3. UL/c-UL ENCLOSURE TYPES 3R, 4X, 12.

HUBBELL CAT. NO.	COLOR
HBL15MRSBK	BLACK
HBL15MRSW	WHITE
HBL15MRSGN	GREEN
HBL15MRSR	RED
HBL15MRSBL	BLUE

DIMENSION SHEET FOR CAT. NO. M-9730  
 SEE TABLE  
 REPAIRABLE  NON-REPAIRABLE   
**B**  
**M-9730**  
**4**