

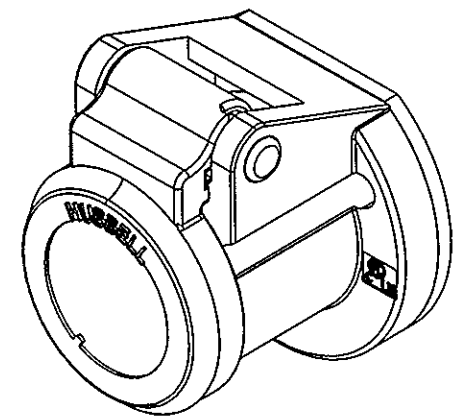
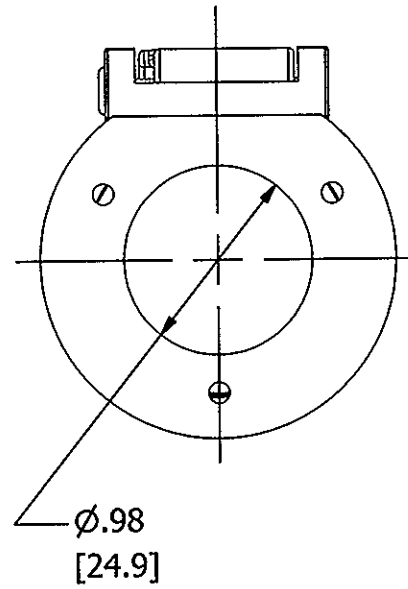
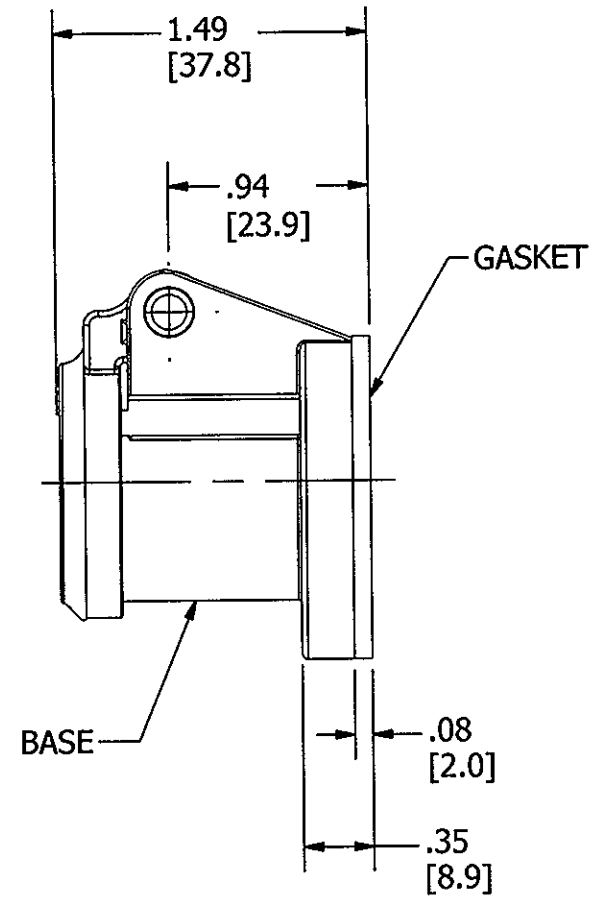
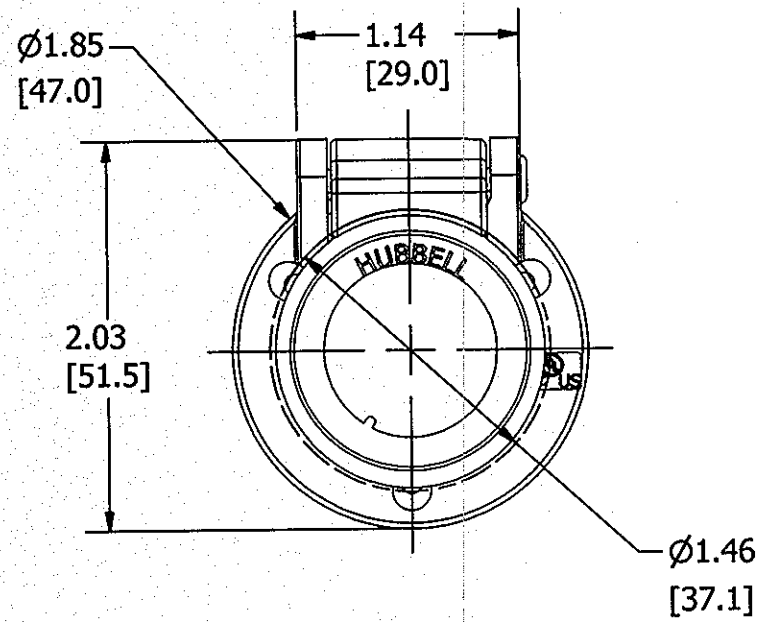
M-9744

3

LIST OF PARTS

DESCRIPTION	MATERIAL	FINISH
BASE	PBT	GRAY
COVER	NYLON	SEE TABLE
GASKETS	NEOPRENE	
SPRING	STAINLESS STEEL	
HINGE PIN	STAINLESS STEEL	

DIMENSION SHEET FOR CAT. NO. SEE TABLE



**CATALOG NO: HBL15NCBK
(NOT SHOWN TO SCALE)**

REPAIRABLE NON-REPAIRABLE **B**

REV	DESCRIPTION	APP	DATE
3	REDRAWN WITH EMBEDDED CAD MODEL WITH NO CHANGES TO PART GEOMETRY. PER DCN 21895 SPN	DJP <i>DJP</i>	2/5/16

THE DESIGN AND DIMENSIONS OF THE PRODUCT SHOWN ON THIS DRAWING ARE SUBJECT TO CHANGE WITHOUT NOTICE

TITLE
**WEATHERPROOF COVER SINGLE POLE
150A SERIES 15**

TOLERANCES UNLESS OTHERWISE SPECIFIED .XX = ± .01 .XXX = ± .005 ANGLES = ± 2'	WIRING DEVICE-KELLEMS HUBBELL INCORPORATED SHELTON, CT	
	DR. BY PJT	APP. BY
	TR. BY	SCALE
	CHK. BY	DATE 1/11/06

CATALOG NO.	COLOR
HBL15NCBK	BLACK
HBL15NCW	WHITE
HBL15NCG	GREEN
HBL15NCBL	BLUE
HBL15NCR	RED

- NOTES:**
- DIMENSIONS ARE IN INCHES ± .02 mm] ± .5
 - UL/c-UL ENCLOSURE TYPES 3R, SEE INSTRUCTION SHEET.