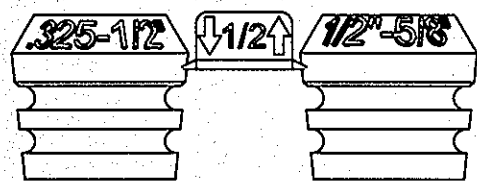
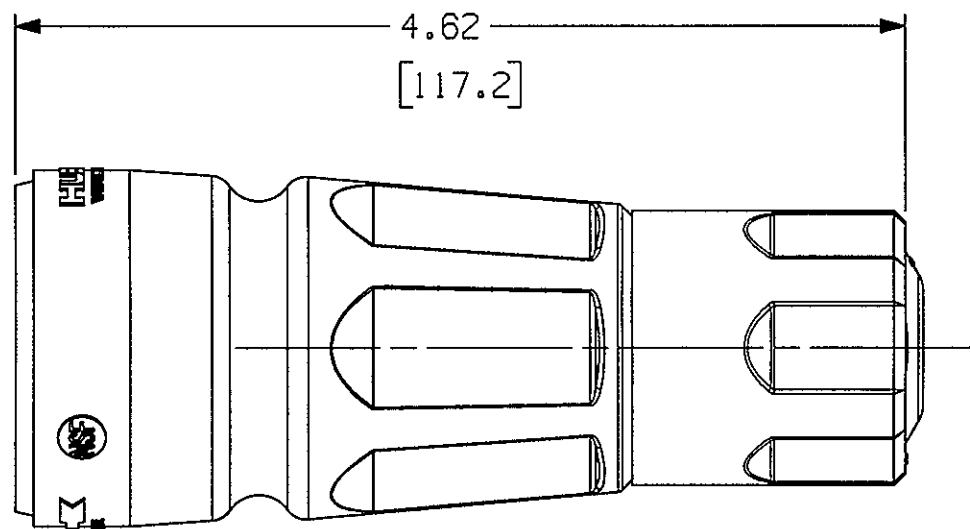
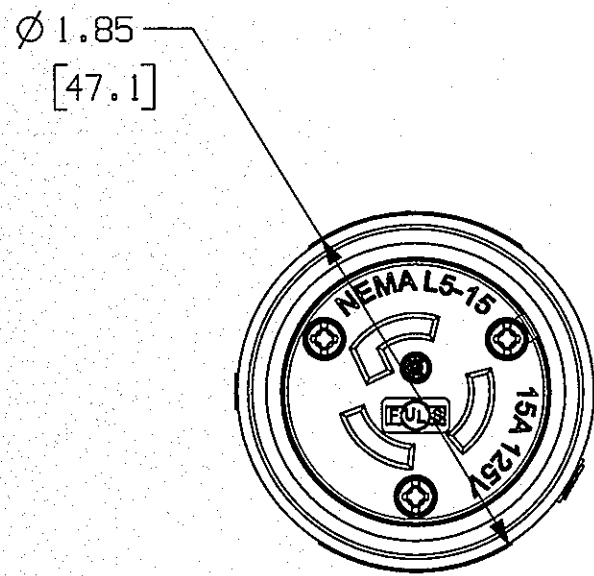


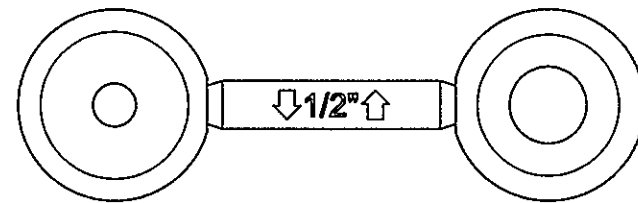
M-12622 2



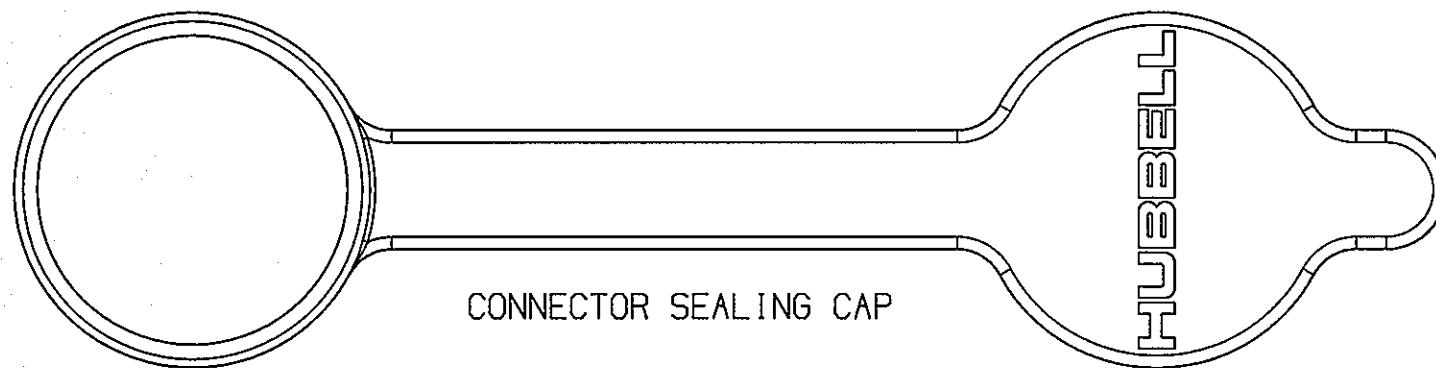
BUSHINGS



BLUE
WHITE
BLACK
GOTCHA RINGS



CONE SEALS



CONNECTOR SEALING CAP

CATALOG NO.	HBL25W47A	HBL25W49	HBL25W34
NEMA CONFIG			
	L5-15R	L6-15R	L7-15R
RATING	15A, 125V	15A, 250V	15A, 277V AC
POLES/WIRES	2P/3W GROUNDING	2P/3W GROUNDING	2P/3W GROUNDING

- NOTES:
- DIMENSIONS SHOWN ARE TYPICAL. DIMENSION UNITS: INCHES (mm).
 - DEVICES ARE UL LISTED PER UL 498.
 - DEVICES ARE CSA CERTIFIED PER CSA C22.2 NO.42.
 - DEVICES ARE UL VERIFIED WITH THE CONSTRUCTION & PERFORMANCE REQUIREMENTS OF FEDERAL SPECIFICATION W-C-596H.
 - TWO STRAIN RELIEF BUSHINGS ACCOMMODATE ROUND CORD TYPES S & SJ: 16/3 SJ TO 10/3 SJ, 18/3 S TO 12/3 S, $\phi 0.325$ TO $\phi 0.625$ " ($\phi 8.3$ TO $\phi 15.9$ mm).
 - CERTAIN DEVICES AVAILABLE IN BLACK.
 - THIS PRODUCT HAS BEEN TESTED TO NEMA ENCLOSURE TYPES 3R, 3RX, 4, 4X, 6, 6P, 12, & IEC CLASSIFICATION IP67 WHEN THE CLOSURE CAP IS CLOSED OR WHEN MATED WITH AN EQUIVALENT RATED WATERTIGHT DEVICE.
WARNING! RISK OF ELECTRICAL SHOCK. DO NOT SUBMERGE. THE ENCLOSURE RATINGS 6, 6P & IP67 OF THIS PRODUCT ARE ONLY INTENDED TO DEMONSTRATE SUPERIOR RESISTANCE TO WATER INGRESS AND NOT FOR SUBMERSION.

LIST OF PARTS

DESCRIPTION	MATERIAL	FINISH
CONNECTOR FACE	NYLON	WHITE
TERMINAL COVER	POLYCARB.	CLEAR
CONTACTS	BRASS	NICKEL
TERMINAL SCREWS	BRASS	NONE/NICKEL/GREEN
ASSEMBLY SCREWS	SS	
SHELL BODY	TPE	YELLOW/BLACK
SHELL INSERT	NYLON	NATURAL
NUT	PBT	GRAY
BUSHINGS	ELASTOMER	BLACK
GOTCHA RING	NYLON	
CONE SEAL	ELASTOMER	BLACK
SEALING CAP	TPE	YELLOW/BLACK

SYM	REVISIONS	APP	DATE
2	REVISED NOTES & LIST OF PARTS PER DCN 20803 MAM	TLS	10/27/2014
1	INITIAL RELEASE PER DCN 20391 WRV		06/2014

SYM	REVISIONS	APP	DATE
2	REVISED NOTES & LIST OF PARTS PER DCN 20803 MAM	TLS	10/27/2014
1	INITIAL RELEASE PER DCN 20391 WRV		06/2014

THE DESIGN AND DIMENSIONS OF THE PRODUCT SHOWN ON THIS DRAWING ARE SUBJECT TO CHANGE WITHOUT NOTICE

TITLE
WATERTIGHT CONNECTOR
CUSTOMER DRAWING

TOLERANCES UNLESS OTHERWISE SPECIFIED	WIRING DEVICE-KELLEMS HUBBELL INCORPORATED SHELTON, CT	
.XX = ±.01	DR. BY WRV	APP. BY TLS
.XXX = ±.005	TR. BY	SCALE 1:1
ANGLES = ±2°	CHK. BY TLS	DATE 06/2014

DIMENSION SHEET FOR CAT. NO.

SEE TABLE

REPAIRABLE

NON-REPAIRABLE

B

M-12622

2