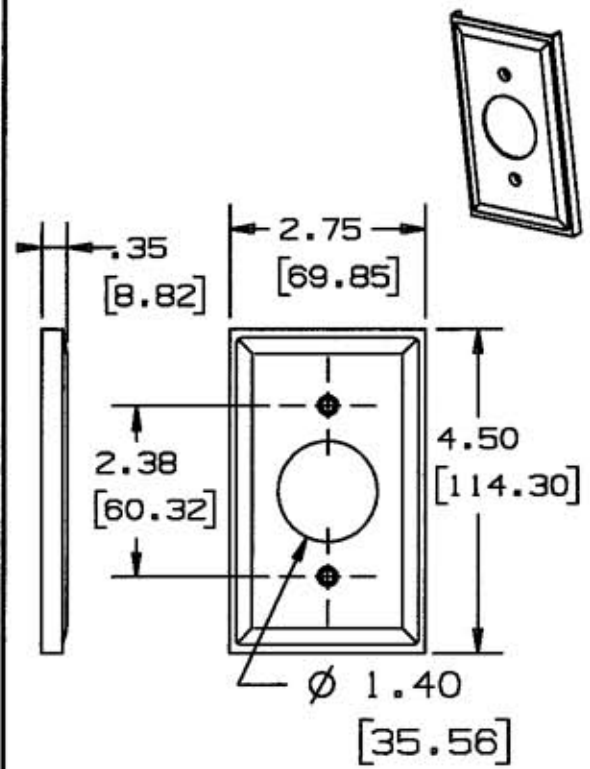


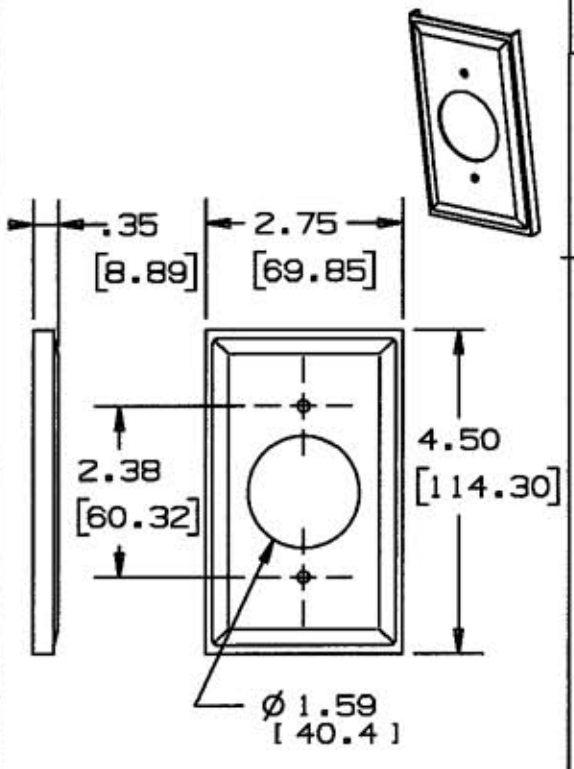
LIST OF PARTS

DESCRIPTION	MATERIAL	FINISH
RECEPTACLE COVER	STEEL	PAINTED
BLANK COVER	STEEL	PAINTED
SWITCH COVER	STEEL	PAINTED
DUPLEX COVER	STEEL	PAINTED
RECTANGULAR COVER	STEEL	PAINTED
EXTENSION COVER	STEEL	PAINTED
DEVICE BRACKET	STEEL	GALVANIZED

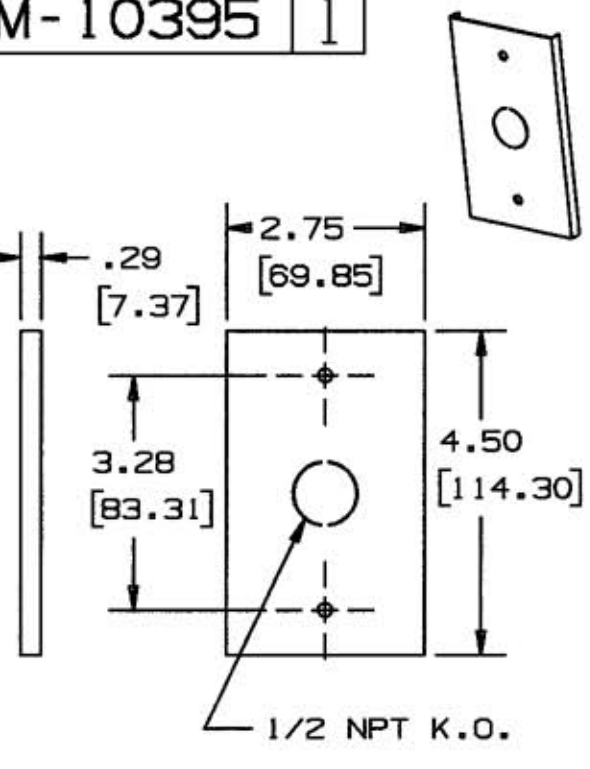
M-10395 1



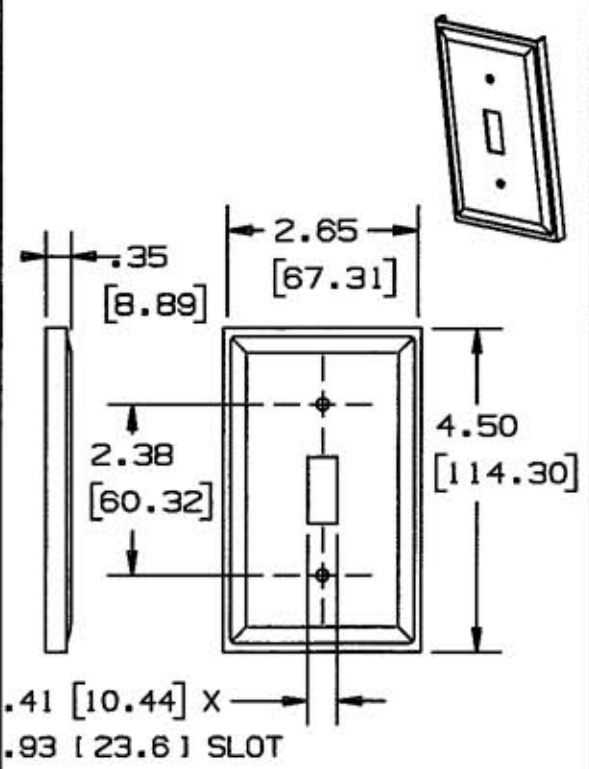
RECEPTACLE COVER	
CAT. NO.	COLOR
HBL3027AEIV	IVORY
HBL3027AEGY	GRAY



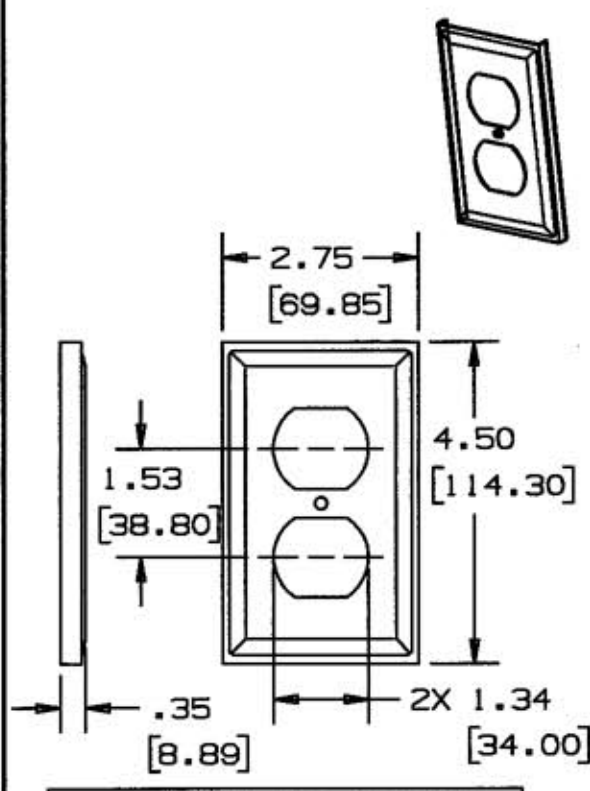
RECEPTACLE COVER	
CAT. NO.	COLOR
HBL3033JEIV	IVORY
HBL3033JEGY	GRAY



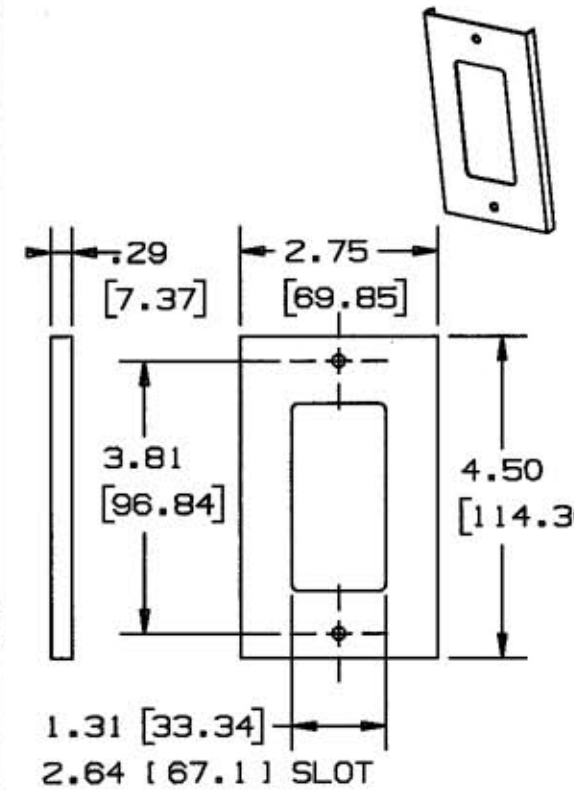
BLANK COVER	
CAT. NO.	COLOR
HBL3036HEIV	IVORY
HBL3036HEGY	GRAY



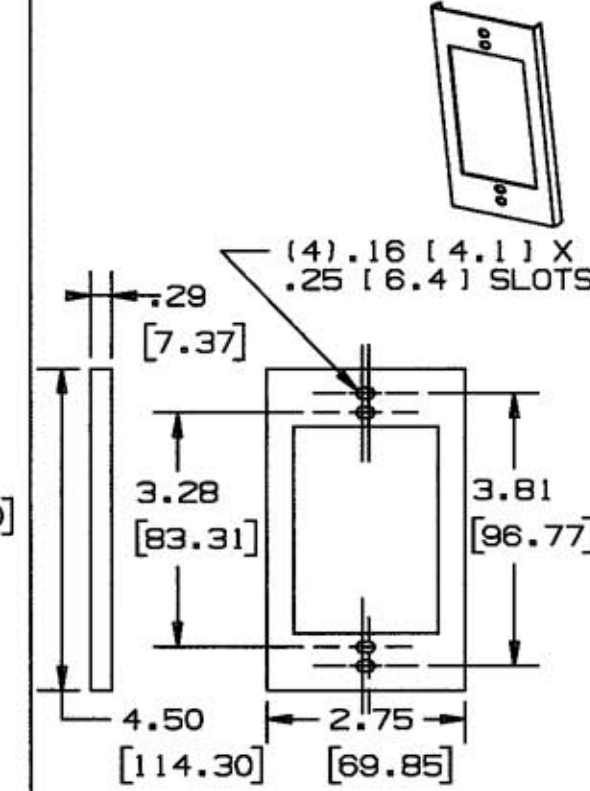
SWITCH COVER	
CAT. NO.	COLOR
HBL3040CEIV	IVORY
HBL3040CEGY	GRAY



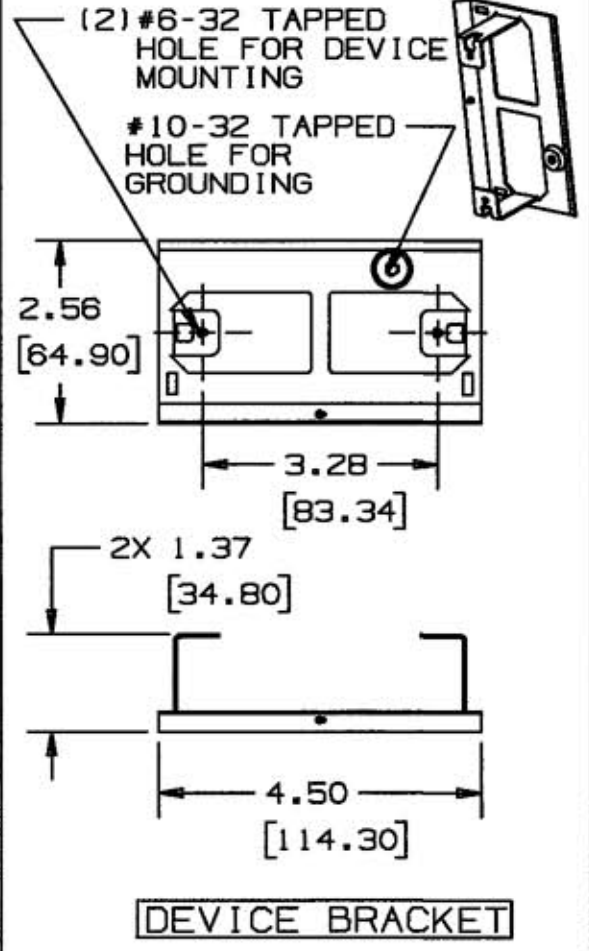
DUPLEX COVER	
CAT. NO.	COLOR
HBL3043BEIV	IVORY
HBL3043BEGY	GRAY



RECTANGULAR COVER	
CAT. NO.	COLOR
HBL3048RIV	IVORY
HBL3048RGY	GRAY



EXTENSION COVER	
CAT. NO.	COLOR
HBL3051LEIV	IVORY
HBL3051LEGY	GRAY



DEVICE BRACKET

1	RELEASED PER DCN 13553	11/14/06
SYM	REVISIONS	APP DATE

THE DESIGN AND DIMENSIONS OF THE PRODUCT SHOWN ON THIS DRAWING ARE SUBJECT TO CHANGE WITHOUT NOTICE

TITLE RECEPTACLE COVERS HBL3000 SERIES

TOLERANCES UNLESS OTHERWISE SPECIFIED	WIRING DEVICE-KELLEMS HUBBELL INCORPORATED BRIDGEPORT, CT	
FRACTIONS ± 1/64	DR. BY SRE	APP. BY [Signature]
DECIMALS ± .005	TR. BY [Signature]	SCALE 1:1
ANGLES ± 2°	CHK'D BY [Signature]	DATE 11/14/06

NOTE: ALL DIMENSIONS IN INCH AND [MM]