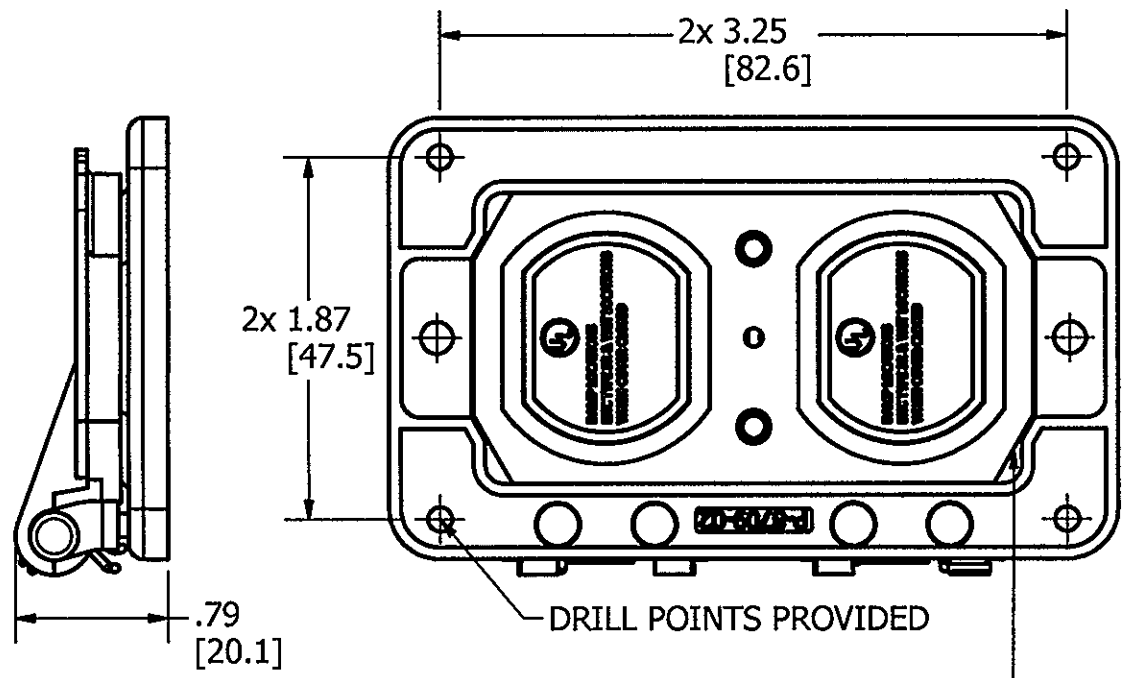
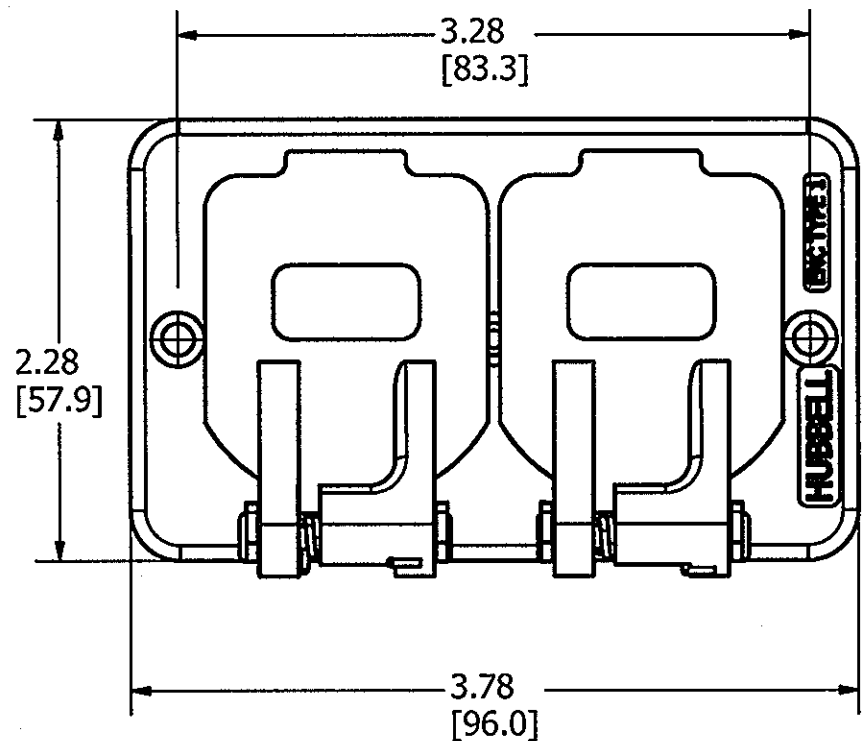
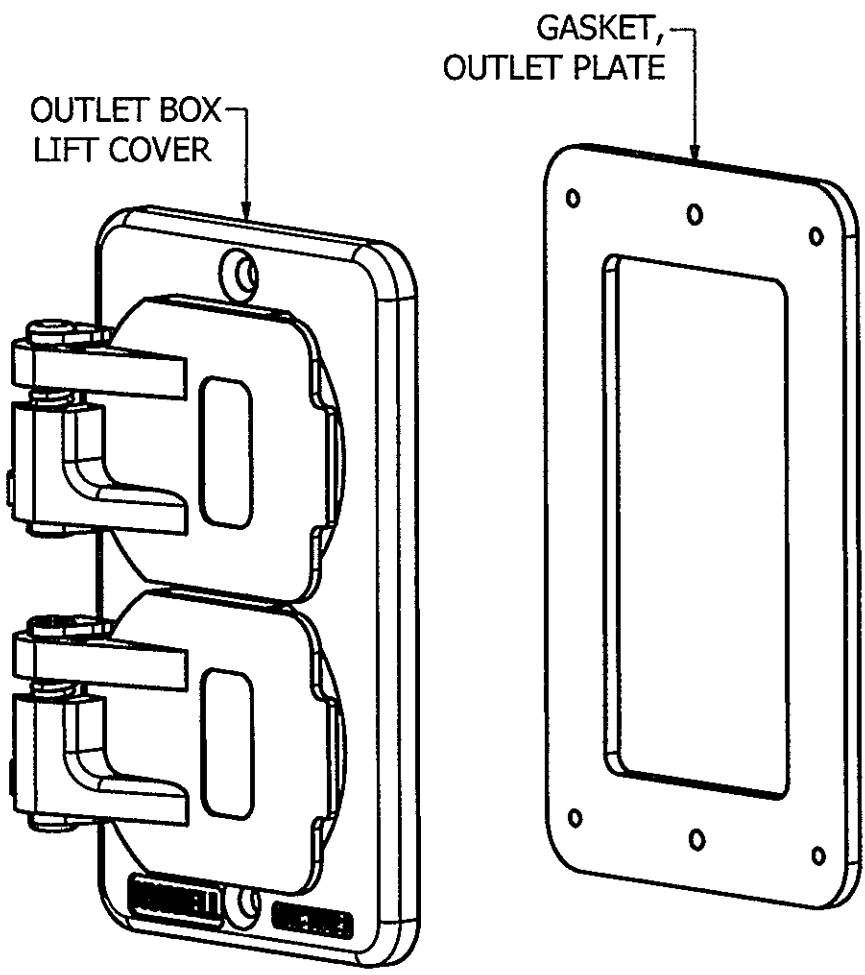


M-12481

2



DRILL POINTS PROVIDED  
GASKET COVERPLATE, ADHESIVE ON ONE SIDE



NOTES:  
1. LIFT COVER RATING UL TYPE 3R.  
2. ALL DIMENSIONS IN INCHES AND [MM].

LIST OF PARTS

DESCRIPTION	MATERIAL	FINISH
COVERPLATE	VALOX	GRAY
GASKET	CLOSE CELL SYNT. RUBBER	BLACK
LIFT COVERS	VALOX	GRAY
SPRINGS, HINGE	STAINLESS STEEL	---
PINS, HINGE	STAINLESS STEEL	---
RIVETS	BRASS	---
HINGES	STEEL	---
GASKET COVERPLATE	CLOSE CELL SYNT. RUBBER ADH ONE SIDE	BLACK

SYM	DESCRIPTION	APPRO	DATE
2	04/03/2014 UPDATED COVERPLATE AND ADDED ADH ONE SIDE GASKET PER DCN20407 EB TLS	TLS	4/3/2014
1	09/10/13 RELEASED FOR PRODUCTION PER DCN20067 EB TLS	TLS	

THE DESIGN AND DIMENSIONS OF THE PRODUCT SHOWN ON THIS DRAWING ARE SUBJECT TO CHANGE WITHOUT NOTICE

TITLE  
OUTLET BOX LIFT COVER ASSY, DUPLEX RECEPTACLE

TOLERANCES UNLESS OTHERWISE SPECIFIED	WIRING DEVICE-KELLEMS HUBBELL INCORPORATED SHELTON, CT	
FRACTIONS ±1/64	DR. BY ebazayev	APP. BY TLS
DECIMALS ±.005	TR. BY	SCALE 1:1
ANGLES ±2°	CHK'D BY TLS	DATE 9/3/2013

DIMENSION SHEET FOR CAT. NO. HBL 3056  
 REPAIRABLE  NON-REPAIRABLE   
**B**  
**M-12481**  
**2**