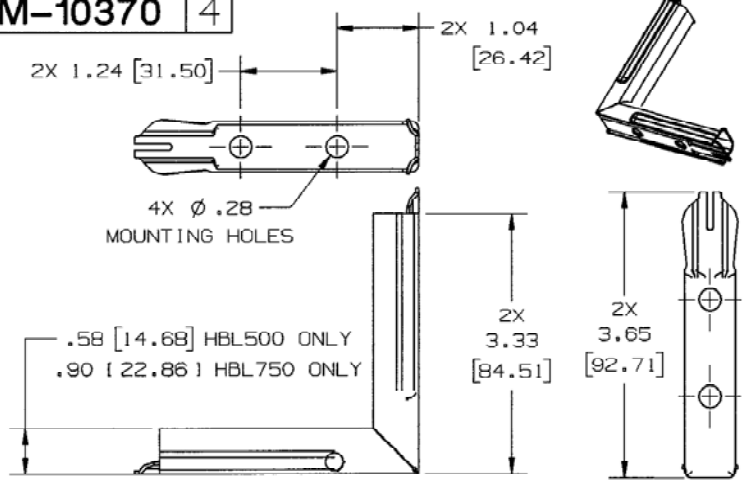
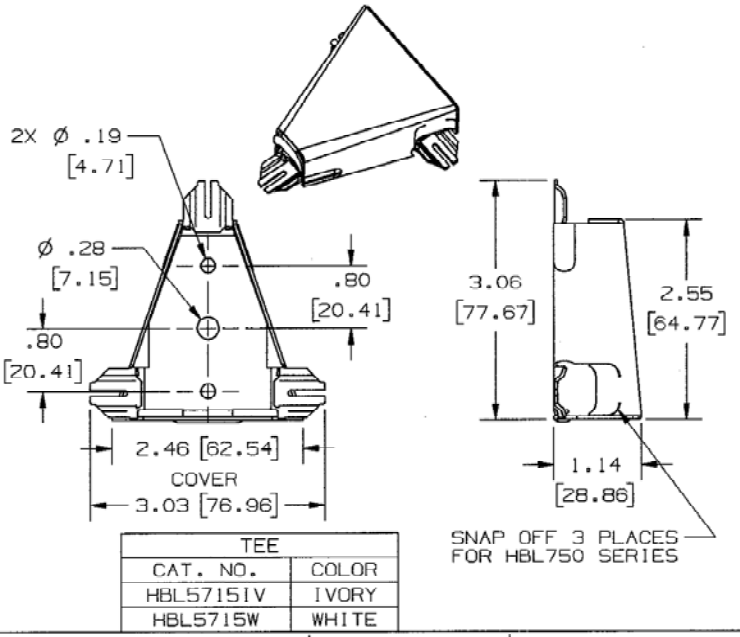


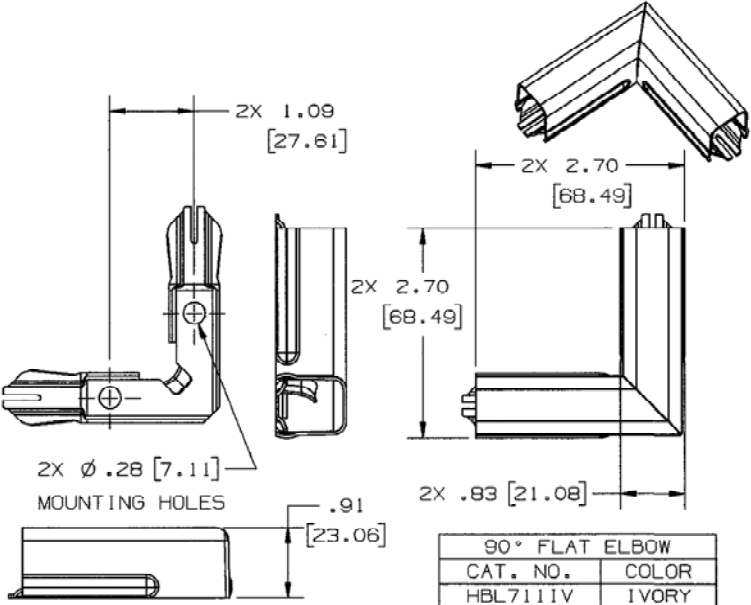
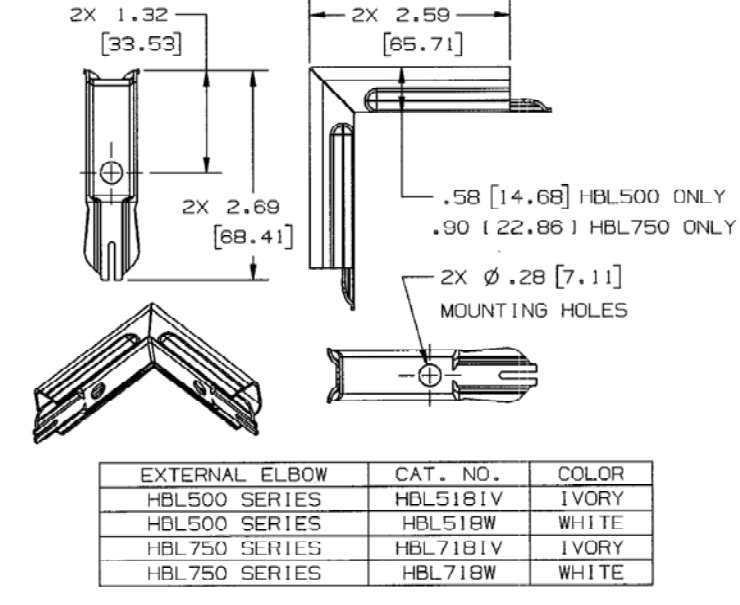
DIMENSION SHEET TERN CAT. NO. SEE TABLE REPAIRABLE NON-REPAIRABLE B M-10370 4

M-10370 4



INTERNAL ELBOW	CAT. NO.	COLOR
HBL500 SERIES	HBL517IV	IVORY
HBL500 SERIES	HBL517W	WHITE
HBL750 SERIES	HBL717IV	IVORY
HBL750 SERIES	HBL717W	WHITE

LIST OF PARTS		
DESCRIPTION	MATERIAL	FINISH
TEE COVER	STEEL	PAINTED
TEE BASE	STEEL	GALVANIZED
ELBOW COVERS	STEEL	PAINTED
ELBOW BASES	STEEL	GALVANIZED



REV	DESCRIPTION	APP	DATE
4	ADDED HBL517W & HBL518W PER DCN 15218 RCM <i>SRE</i>	DJP	10/29/08
3	HBL750 WAS HBL700 (4X) DCN13911 SRE	SRE	4/23/07
2	ADDED CAT. NO'S FOR WHITE PER DCN 13745 RCM	DJP	2/27/07
1	RELEASED PER DCN 13536	SRE	11/13/06
SYM	REVISIONS	APP	DATE

THE DESIGN AND DIMENSIONS OF THE PRODUCT SHOWN ON THIS DRAWING ARE SUBJECT TO CHANGE WITHOUT NOTICE			
TITLE METAL RACEWAY ELBOWS HBL500/HBL750 SERIES			
TOLERANCES UNLESS OTHERWISE SPECIFIED		WIRING DEVICE-KELLEMS HUBBELL INCORPORATED BRIDGEPORT, CT	
FRACTIONS ±1/64	DR. BY SRE	APP. BY SRE	SCALE 1:1 DATE 11/13/08
DECIMALS ±.005	TR. BY	CHK'D BY SRE	
ANGLES ±2°			

NOTE: ALL DIMENSIONS IN INCHES AND [MM]