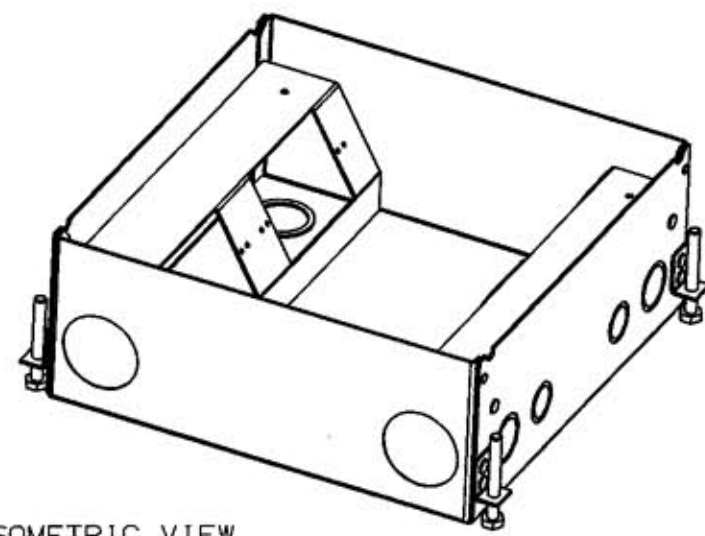
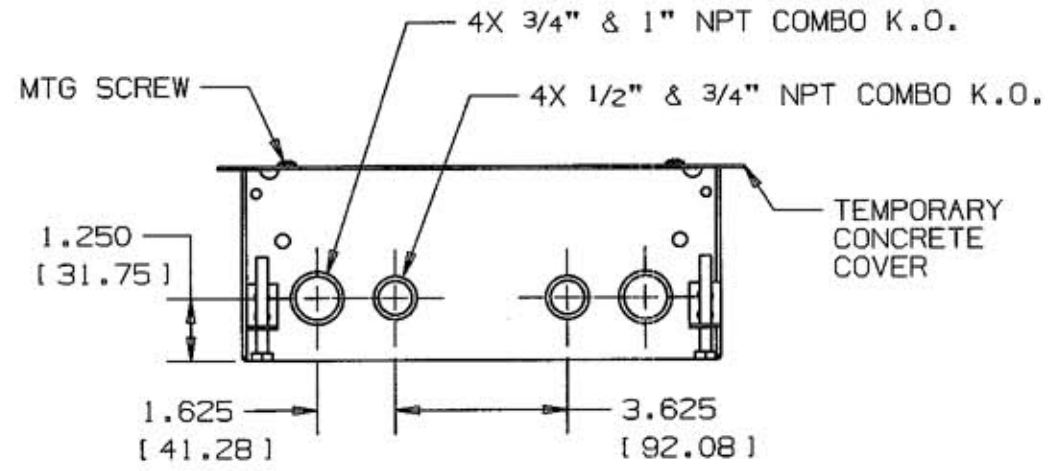
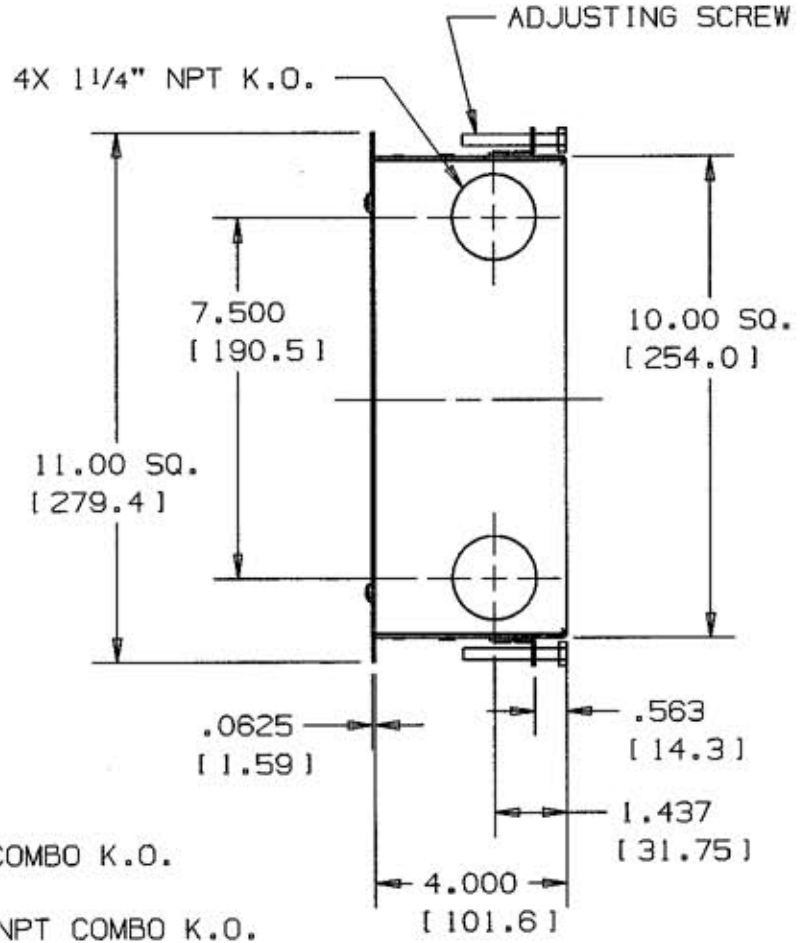
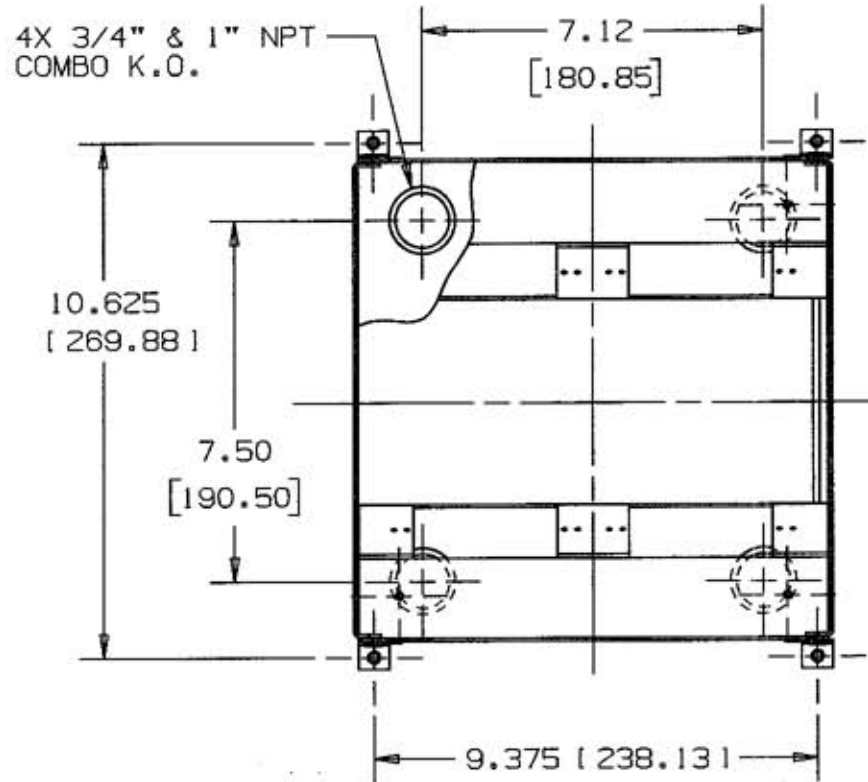


M-8604 5



LIST OF PARTS		
DESCRIPTION	MATERIAL	FINISH
BOX	STEEL .0625 THK	PRE-GALV.
POUR LID	STEEL .0625 THK	PRE-GALV.
HEX HD. ADJ. SCREW	STEEL	ZINC PL.
RD. HD. MTG. SCREW	STEEL	ZINC PL.

SYM	REVISIONS	APP	DATE
5	REMOVED NOTES; SCALE 1:4 WAS 1:2; ADDED ISOMETRIC VIEW; TEMPORARY CONCRETE COVER WAS POUR LID PER DCN 14344 RCM	DJP	10/31/07
4	REVISED NOTES 4; HBLTCGNTSW WAS HBLTCGNT; M9062 WAS M8607 PER DCN 13366 GPK	JPP	9/15/06
3	REVISED NOTES 1 & 4; ADDED (4) 3/4 & 1" COMBO K.O.'S & DIMS. PER DCN 13264 RCM	JPP	7/31/06
2	CHANGED KO SIZE FROM DECIMAL TO FRACTION. CHANGED NOTE-1 REMOV. HUBBELL CANADA #9171	JVD	12/18/01 PAC
1	INITIAL RELEASE #8998		9/20/01

THE DESIGN AND DIMENSIONS OF THE PRODUCT SHOWN ON THIS DRAWING ARE SUBJECT TO CHANGE WITHOUT NOTICE

TITLE
4 GANG DEEP CONCRETE FLOOR BOX
HBLCFB301BASE

TOLERANCES UNLESS OTHERWISE SPECIFIED	WIRING DEVICE-KELLEMS HUBBELL INCORPORATED BRIDGEPORT, CT	
FRACTIONS ± 1/64	DR. BY PAC	APP. BY
DECIMALS ± .005	TR. BY	SCALE 1:4
ANGLES ± 2°	CHK'D BY JVD	DATE 9/20/01

DIMS. INCHES [mm]

DIMENSION SHEET FOR CAT. NO.

HBLCFB301BASE

REPAIRABLE

NON-REPAIRABLE

B

M-8604

5