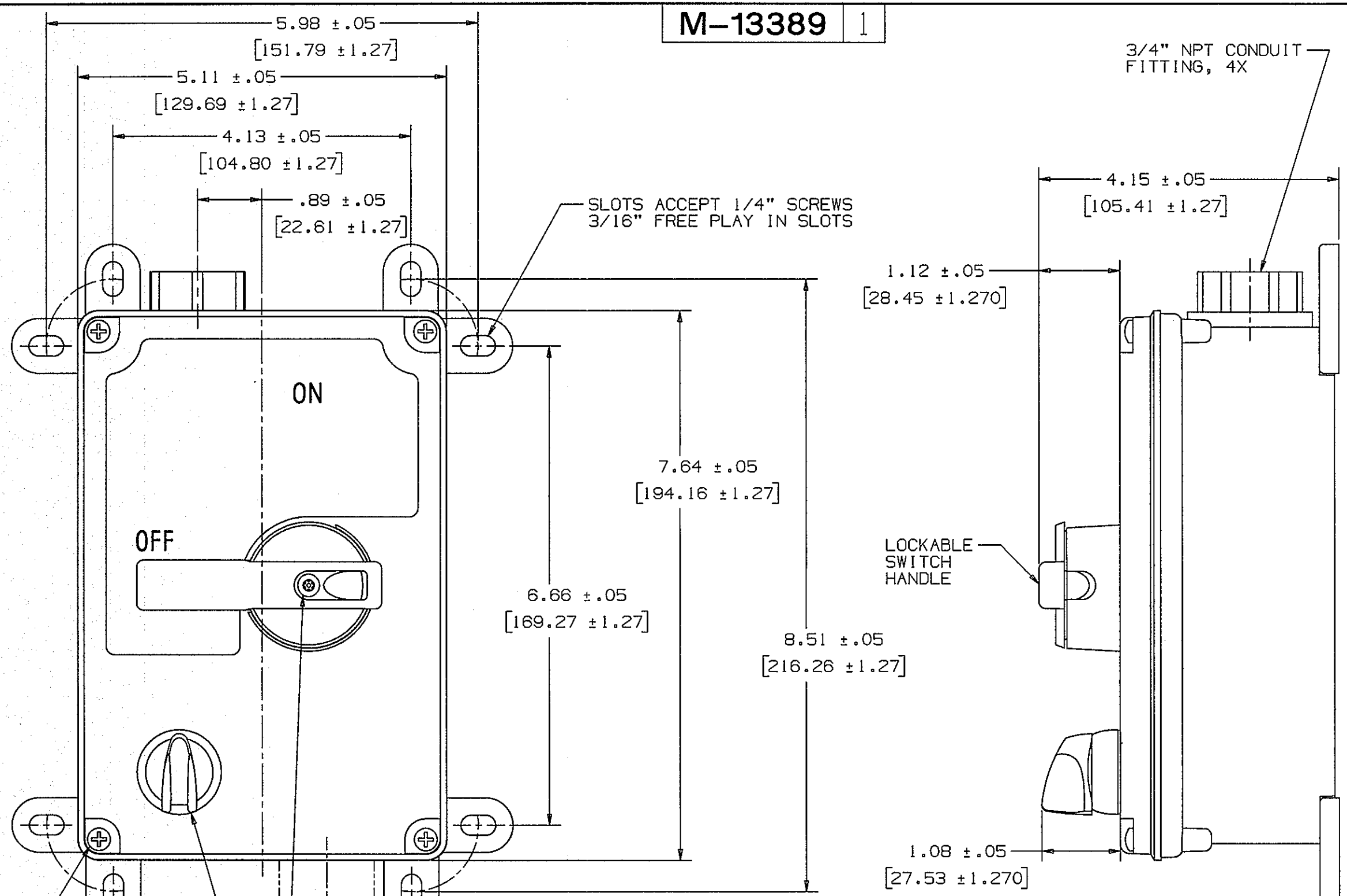
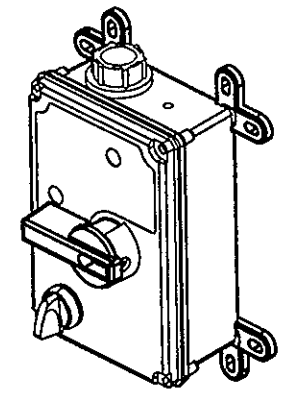


**M-13389** 1



LIST OF PARTS		
DESCRIPTION	MATERIAL	FINISH
ALL EXTERNAL PLASTIC PARTS	UV STABILIZED POLYESTER/POLYCARBONATE BLEND	
FRAME	GALVANIZED STEEL	
ALL EXTERNAL SCREWS AND HARDWARE	STAINLESS STEEL	
CONDUIT HUB	ZINC	
SELECTOR SWITCH	PLASTIC	

CATALOG NO. HBLDS3J  
NOT SHOWN TO SCALE



1	RELEASED FOR PRODUCTION PER DCN 21935 CAC <i>dac</i>	TLS	03/30/16
SYM	REVISIONS	APP	DATE

THE DESIGN AND DIMENSIONS OF THE PRODUCT SHOWN ON THIS DRAWING ARE SUBJECT TO CHANGE WITHOUT NOTICE

TITLE **CIRCUIT-LOCK™ DISCONNECT SWITCH WITH SELECTOR SWITCH**

TOLERANCES UNLESS OTHERWISE SPECIFIED .XX = ±.01 .XXX = ±.005 ANGLES = ±2°	WIRING DEVICE-KELLEMS HUBBELL INCORPORATED SHELTON, CT	
	DR. BY CAC	APP. BY CAC
	TR. BY	SCALE <del>1/2"</del>
	CHK. BY CAC	DATE 03/30/16

CATALOG NO.'S	
HBLDS3J	
HBLDS3ACJ (AUXILIARY CONTACT)	
HBLDS3NKJ (No Knockouts)	
30 AMP 600V A.C. RATINGS	
HP	VOLTAGE
1 HP	120V AC 1 Ø
3 HP	200-240V AC 1 Ø
5 HP	480V AC 1 Ø
7.5 HP	200-240V AC 3 Ø
15 HP	480V AC 3 Ø
15 HP	600V AC 3 Ø

CATALOG NO.'S	
HBLDS33ACNKJ (3 AUX. CONTACT)	
30 AMP 600V A.C. RATINGS	
HP	VOLTAGE
1 HP	120V AC 1 Ø
2.5 HP	220-277V AC 1 Ø
5 HP	480V AC 1 Ø
5 HP	208-240V AC 3 Ø
10 HP	480V AC 3 Ø
10 HP	600V AC 3 Ø

TYPE II CROSS RECESS  
DIA 1.18 ±.05  
[30.00 ±1.270]

OPTIONAL CONDUIT LOCATION (FIELD CONVERTIBLE)

TAMPER RESISTANT TORX DRIVE T20 SIZE