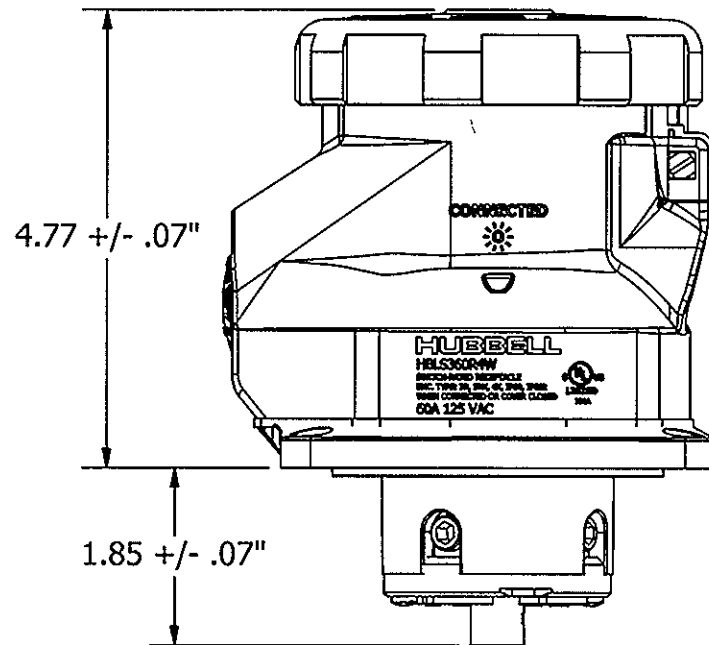
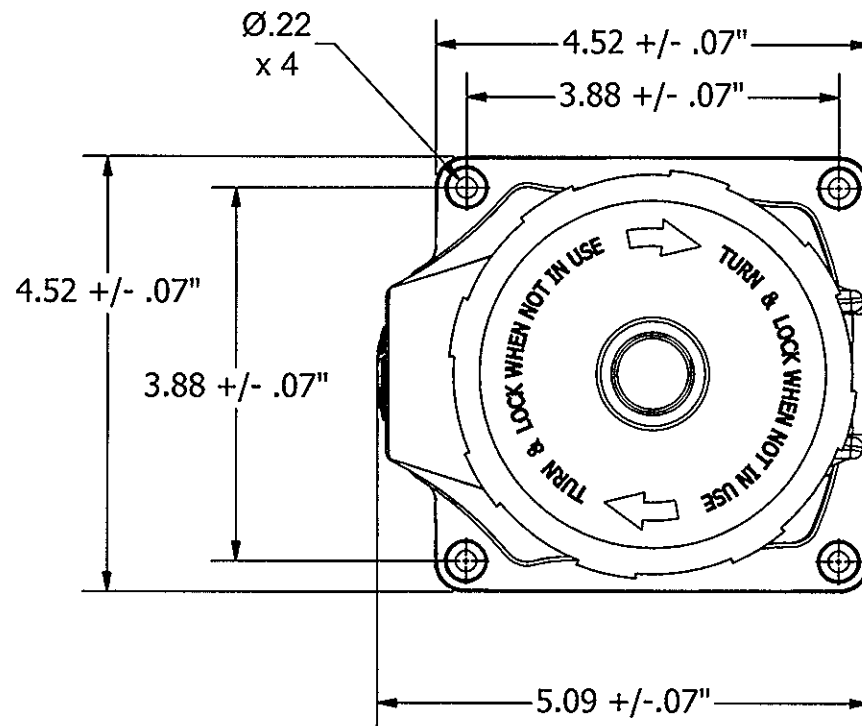
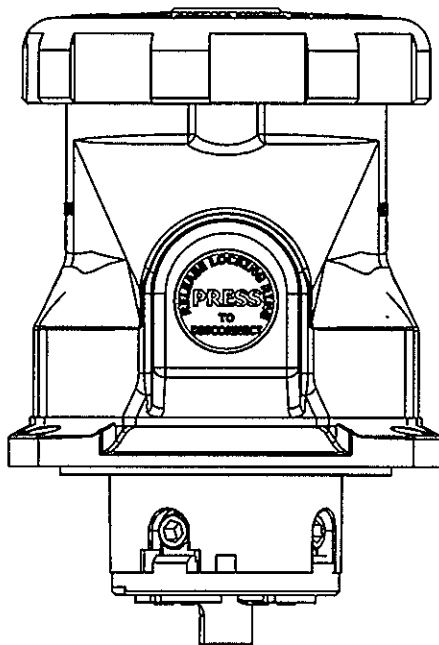


M-12538

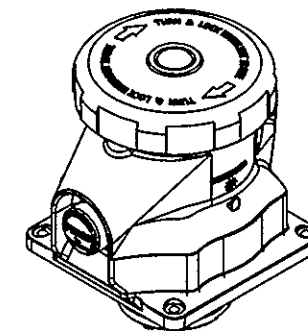
1

CONFIGURATION TABLE				
CAT NO.	CONFIGURATION	RATING	HSG MAT'L	HSG COLOR
HBLS360R4W HBLS360R4WP		60A 125 VAC 60A 125 VAC WITH PILOT/AUX CONTACT	PBT	YELLOW
HBLS360R6W HBLS360R6WP		60A 250 VAC 60A 250 VAC 63A 220-240 VAC WITH PILOT/AUX CONTACT	PBT	BLUE
HBLS360R7W HBLS360R7WP		60A 480 VAC 60A 480 VAC WITH PILOT/AUX CONTACT	PBT	RED
HBLS460R5W HBLS460R5WP		60A 3Φ 600 VAC 60A 3Φ 600 VAC WITH PILOT/AUX CONTACT	PBT	BLACK
HBLS460R6W HBLS460R6WP		60A 380-415 VAC 60A 380-415 VAC 63A 380-415 VAC WITH PILOT/AUX CONTACT	PBT	RED
HBLS460R7W HBLS460R7WP		60A 3Φ 480 VAC 60A 3Φ 480 VAC WITH PILOT/AUX CONTACT	PBT	RED
HBLS460R9W HBLS460R9WP		60A 3Φ 250 VAC 60A 3Φ 250 VAC 63A 3Φ 250 VAC WITH PILOT/AUX CONTACT	PBT	BLUE
HBLS460R12W HBLS460R12WP		60A 125/250 VAC 60A 125/250 VAC WITH PILOT/AUX CONTACT	PBT	ORANGE
HBLS560R5W HBLS560R5WP		60A 3Φ 347/600 VAC 60A 3Φ 347/600 VAC WITH PILOT/AUX CONTACT	PBT	BLACK
HBLS560R6W HBLS560R6WP		60A 200/346 - 240/415 VAC 60A 200/346 - 240/415 VAC 63A 220/415 VAC WITH PILOT/AUX CONTACT	PBT	RED
HBLS560R7W HBLS560R7WP		60A 3Φ 277/480 VAC 60A 3Φ 277/480 VAC WITH PILOT/AUX CONTACT	PBT	RED
HBLS560R9W HBLS560R9WP		60A 3Φ 120/208 VAC 60A 3Φ 120/208 VAC 63A 3Φ 120/208 VAC WITH PILOT/AUX CONTACT	PBT	BLUE



LIST OF PARTS

DESCRIPTION	MATERIAL	FINISH
HOUSING	PBT	
INTERIOR	NYLON	
SLEEVES	BRASS	
PHASE, NEUTRAL & GND CONTACTS	BER. COPPER	SILVER
TERMINAL SCREWS	SS	
HINGE & LID	PBT	
HINGE PIN & SPRING	SS	
ASSY SCREWS	SS	
LED WINDOW	POLYCARBONATE	
HOUSING GASKET	RUBBER	



3,4 & 5 WIRE SWITCHED RECEPTACLE

WHD 3/11/16

1	RELEASED FOR PRODUCTION PER DCN 21767 WHD 1/27/16		
SYM	DESCRIPTION	APPRO	DATE

THE DESIGN AND DIMENSIONS OF THE PRODUCT SHOWN ON THIS DRAWING ARE SUBJECT TO CHANGE WITHOUT NOTICE

TITLE  
60 & 63A 2W/3P, 3W/4P & 4W/5P PIN & SLEEVE SWITCHED RECEPTACLES

TOLERANCES UNLESS OTHERWISE SPECIFIED	WIRING DEVICE-KELLEMS HUBBELL INCORPORATED SHELTON, CT	
.XX = ±.01	DR. BY wdietz	APP. BY
.XXX = ±.005	TR. BY WHD	SCALE
ANGLES = ±2°	CHK'D BY	DATE 9/23/2015

DIMENSION SHEET FOR CAT. NO. SEE TABLE REPAIRABLE  NON-REPAIRABLE  B M-12538 1