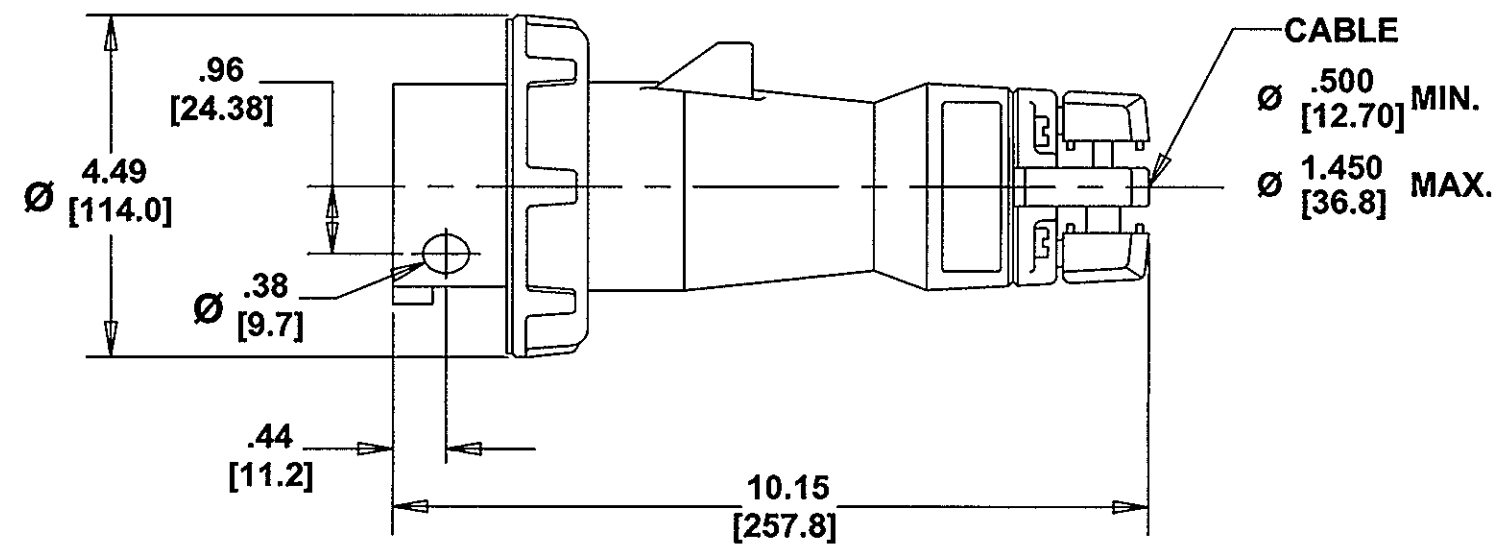
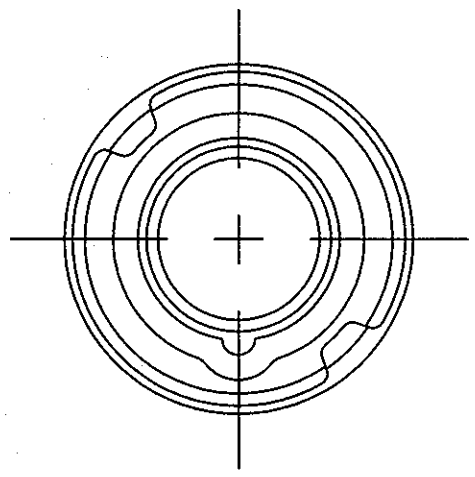


M-6091 9



LIST OF PARTS		
DESCRIPTION	MATERIAL	FINISH
HOUSING	SEE TABLE	
GASKET	NEOPRENE	
LOCK RING	POLYESTER	
INTERIOR	THERMOSET	
PINS	BRASS	
TERMINAL SCREWS	ST. STEEL	
GLAND CAP	POLYESTER	
GLANDS	NEOPRENE	
CLAMPS	POLYESTER	
CLAMP NUTS	BRASS	NICKEL
ASSEMBLY SCREWS	ST. STEEL	

REVISIONS			
NO.	DESCRIPTION	BY	DATE
9	ADDED ALL HBL CAT. #s & PILOT CONTACTS TO PILOT MODELS PER DCN 21767, WHD	WHD	01/20/16
8	ADDED CAT. # HBL560P6V02 AND SPECS TO TABLE. PER DCN 18699 DDL	CAC	04/24/12
7	ADDED CAT # HBL560P6W TO TABLE PER DCN 17478. MYA	TLS	3/11/11
6	REDRAWN ON CAD WITH CHANGES. ADDED "HOUSING" AND "COMMENTS" COLUMNS TO TABLE, HOLE AND DIM.S TO VIEW, AND NOTES 1 & 2. IN TABLE, ADDED 240/415 VAC TO CAT. NO. HBL563P6W AND "A" WAS "AMP". IN LIST OF PARTS, "SEE TABLE" WAS "NYLON" AND "NEOPRENE" WAS "RUBBER" IN (2) PLACES; "CABLE Ø.500[12.7] MIN./Ø1.450 [36.8] MAX" WAS "CABLE DIA. 1.00/25.4MM MIN. 1.43/36.32 MAX". "Ø" WAS "DIA." AND "[XX.X]" WAS "MM". SUPERSEDES DRAWING DATED 4/28/80 PER DCN #12944. JMN	DJP	6/28/06

CAT. NO.	CONFIGURATION	RATING	COMMENTS	HOUSING		CAT. NO.	CONFIGURATION	RATING	COMMENTS	HOUSING	
				MATERIAL	COLOR					MATERIAL	COLOR
HBL560P5W		60A 3ØY 347/600 VAC		NYLON	BLACK	HBL560P6WP		60A 3ØY 200/346 VAC 240/415 VAC	(1) A600 PILOT DUTY CONTACT	PBT	RED
HBL560P5W				PBT	BLACK						
HBL560P6W		60A 3ØY 200/346 VAC 240/415 VAC		NYLON	RED	HBL560P6V02		63A 3ØY 220/380 VAC 240/415 VAC	(1) A600 PILOT DUTY CONTACT	PBT	RED
HBL560P6W				PBT	RED						
HBL560P7W		60A 3ØY 277/480 VAC		NYLON	RED	HBL560P6V02		60A 3ØY 200/346 VAC 240/415 VAC	(1) A600 PILOT DUTY CONTACT	PBT	RED
HBL560P7W				PBT	RED						
HBL560P9W		60A 3ØY 120/208 VAC		NYLON	BLUE	HBL560P6V02		63A 3ØY 200/346 VAC 240/415 VAC	(1) A600 PILOT DUTY CONTACT	PBT	RED
HBL560P9W				PBT	BLUE						
HBL560P5WP		60A 3ØY 347/600 VAC	(1) A600 PILOT DUTY CONTACT	PBT	BLACK						
HBL560P7WP		60A 3ØY 277/480 VAC	(1) A600 PILOT DUTY CONTACT	PBT	RED	HBL563P6W		63A 220/380VAC 240/415 VAC	(1) A600 PILOT DUTY CONTACT	NYLON	RED
HBL560P9WP		60A 3ØY 120/208 VAC	(1) A600 PILOT DUTY CONTACT	PBT	BLUE						

NOTES (UNLESS OTHERWISE SPECIFIED)
 1) TOLERANCES ARE:
 DECIMALS ± .03
 ANGLES ± 2°
 2) DIMENSIONS ARE: INCHES
 [MILLIMETERS]

SYM	REVISIONS	APP	DATE

THE DESIGN AND DIMENSIONS OF THE PRODUCT SHOWN ON THIS DRAWING ARE SUBJECT TO CHANGE WITHOUT NOTICE

TITLE
60A & 63A 4 POLE 5 WIRE PIN AND SLEEVE PLUGS

TOLERANCES UNLESS OTHERWISE SPECIFIED		WIRING DEVICE-KELLEMS HUBBELL INCORPORATED SHELTON, CT	
FRACTIONS ± 1/64	DECIMALS ± .005	DR. BY MJK	APP. BY DJP
ANGLES ± 2°		TR. BY JMN	SCALE NONE
		CHK'D BY DJP	DATE 6/28/06

DIMENSION SHEET FOR CAT. NO. **SEE TABLE**
 REPAIRABLE NON-REPAIRABLE
M-6091
9