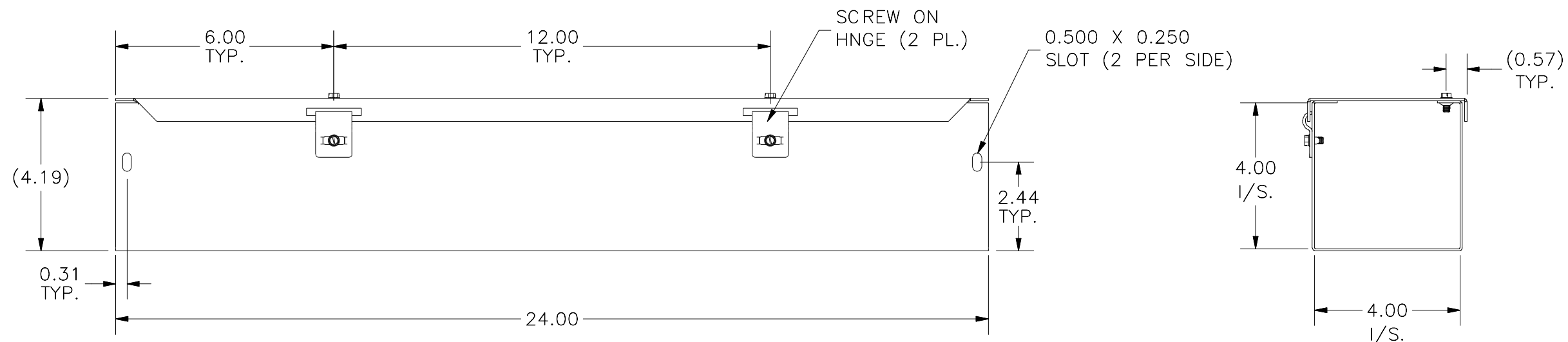
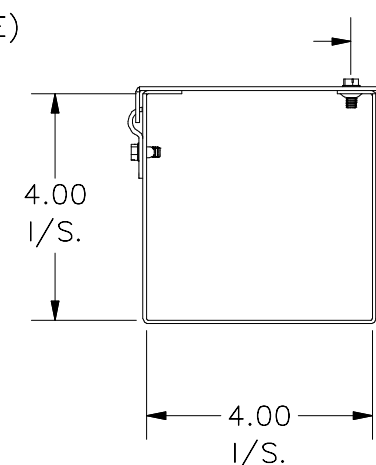


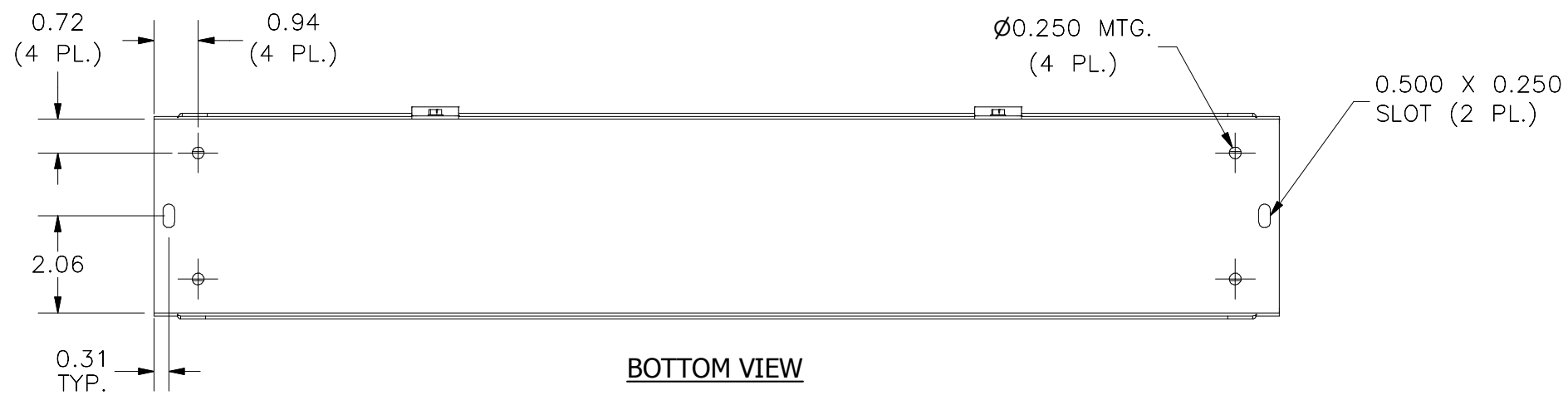
TOP VIEW



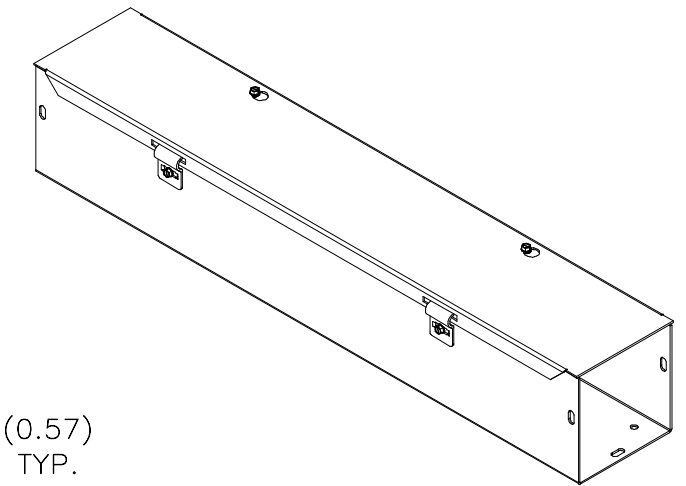
FRONT VIEW



RIGHT VIEW



BOTTOM VIEW



PART#: HS442NK  
(DATA SUBJECT TO CHANGE WITHOUT NOTICE)

THIS DRAWING IS PROPERTY OF HUBBELL INC. WIEGMANN  
ALL INFORMATION IS PROPRIETARY AND NOT TO BE DUPLICATED