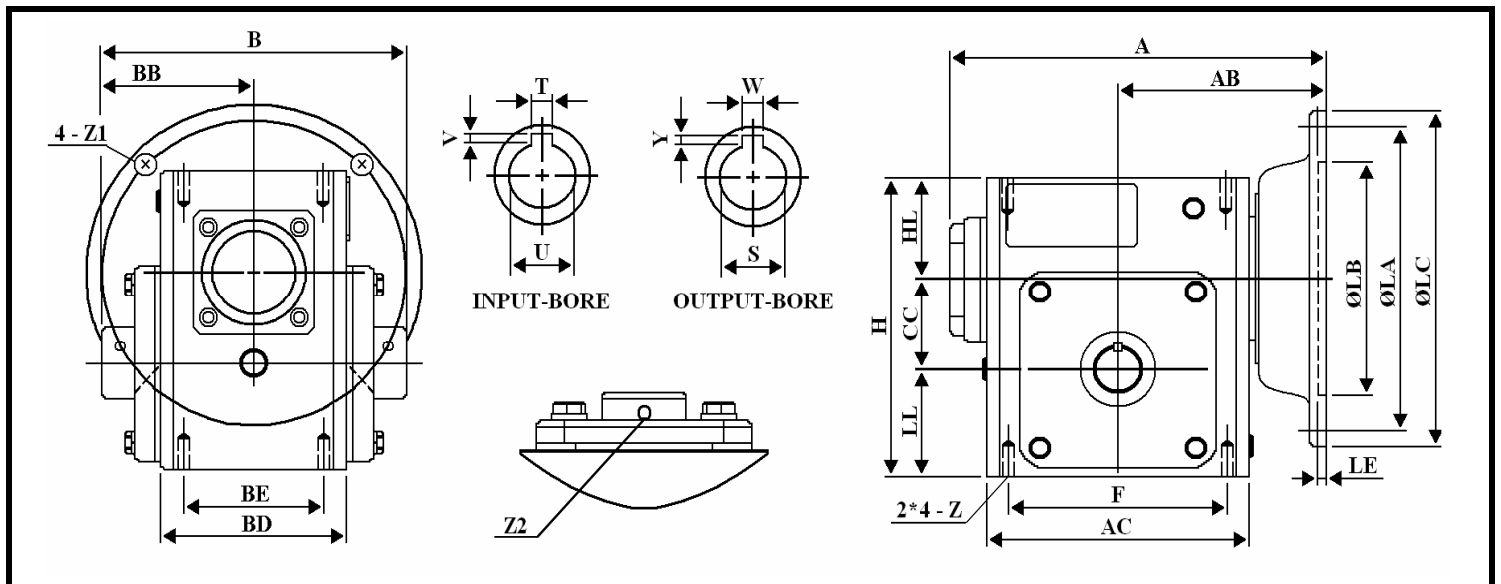
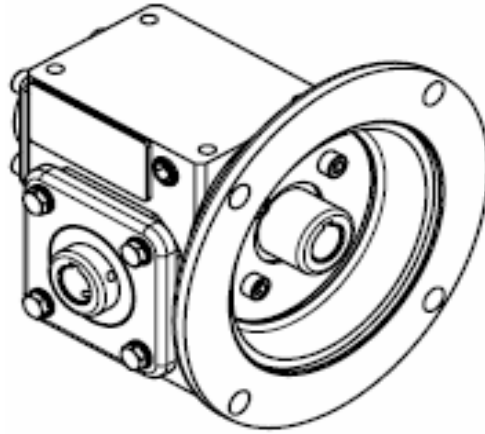


WORLDWIDE ELECTRIC CORPORATION

HdR SERIES PROGRAM - WORM GEAR SPEED REDUCERS

FLANGE INPUT - HOLLOW BORE OUTPUT - DIMENSIONS

MODEL # HdRF133-*-H-56C



DIMENSIONS - Inches

Size	A	AB	AC	B	BB	BD	BE	CC	F	H	HL	LL	Z2	Z
133	5.98	3.386	3.78	4.44	2.218	2.835	2	1.333	3.25	4.656	1.605	1.718	#10-32 UNF*1/4	5/16-18 UNC

Size	INPUT BORE		OUTPUT BORE		FLANGE					NEMA FRAME	OIL (OZ.)
	U	T*V	S	W*Y	LA	LB	LC	LE	Z1		
133	0.625	3/16 * 3/32	0.625	3/16 * 3/32	5.875	4.5	6.5	0.157	0.433	56C	5.82

* Suitable For Any Ratio

