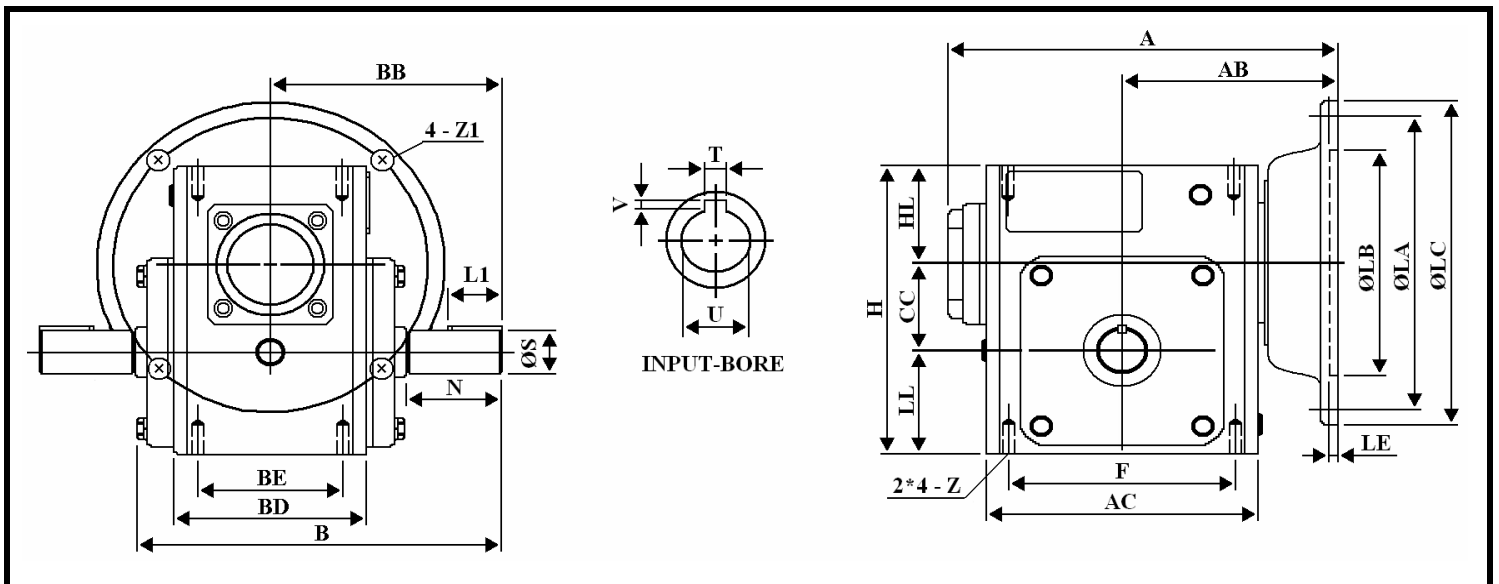
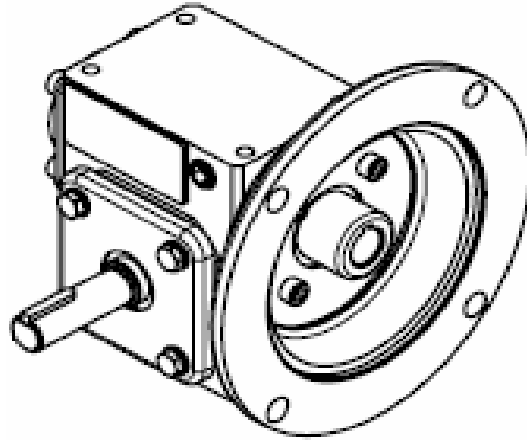


**WORLDWIDE ELECTRIC CORPORATION**  
**HdR SERIES PROGRAM - WORM GEAR SPEED REDUCERS**  
**FLANGE INPUT - SHAFT OUTPUT - DIMENSIONS**

**MODEL # HdRF175-\*-DE-56C**



**DOUBLE END OUTPUT - DIMENSIONS - Inches**

Size	A	AB	AC	B	BB	BD	BE	CC	F	H	HL	LL	N	Z
175	7.29	4.035	5.059	6.831	4.311	3.563	2.75	1.75	4.188	5.75	1.938	2.062	1.781	5/16-18 UNC

Size	INPUT BORE		OUTPUT SHAFT			FLANGE					NEMA FRAME	OIL (OZ.)
	U	T*V	L1	S	W*Y	LA	LB	LC	LE	Z1		
175	0.625	3/16 * 3/32	1	0.875	3/16 * 3/32	5.875	4.5	6.496	0.157	0.433	56C	11.64

\* Suitable For Any Ratio

