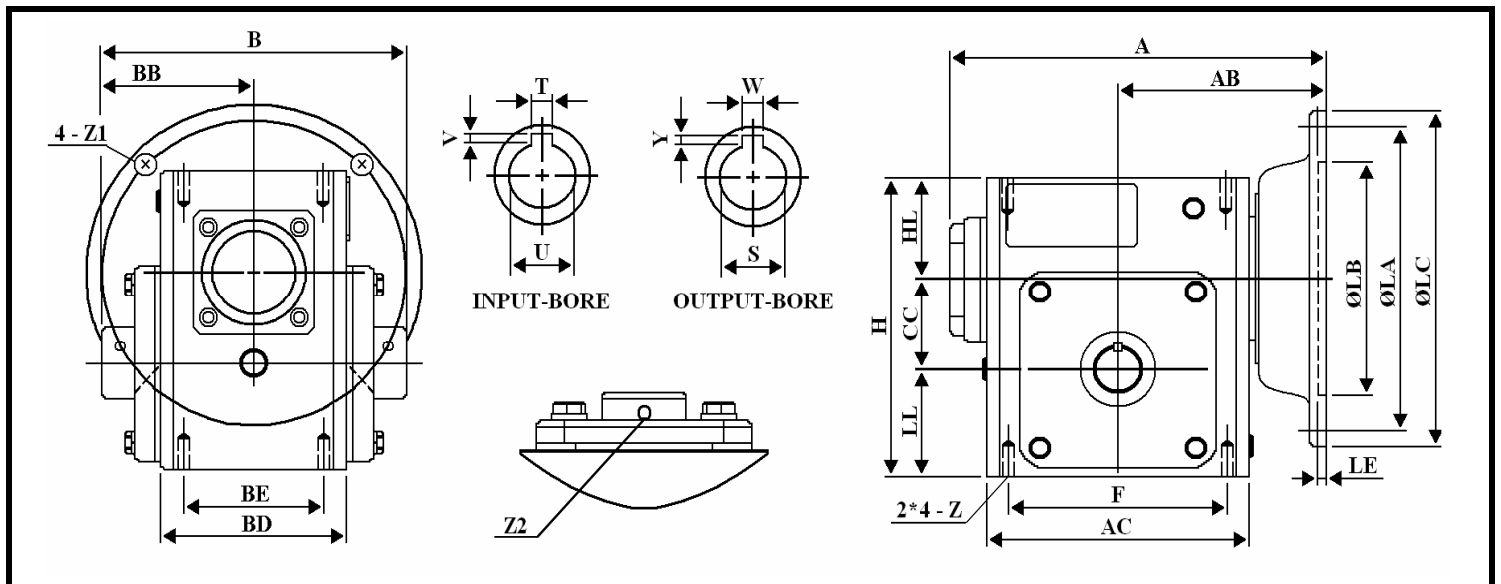
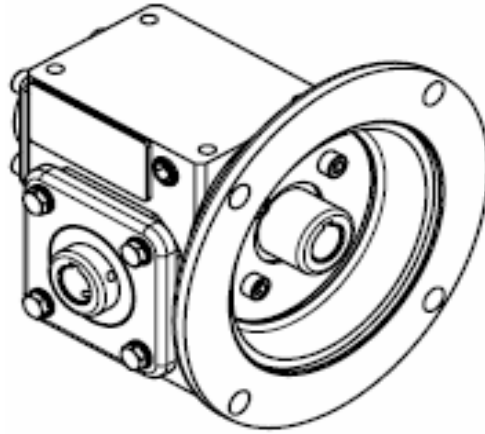


WORLDWIDE ELECTRIC CORPORATION
HdR SERIES PROGRAM - WORM GEAR SPEED REDUCERS
FLANGE INPUT - HOLLOW BORE OUTPUT - DIMENSIONS

MODEL # HdRF175-*-H-56C



DIMENSIONS - Inches

Size	A	AB	AC	B	BB	BD	BE	CC	F	H	HL	LL	Z2	Z
175	7.28	4.035	5.059	6.18	3.091	3.563	2.75	1.75	4.19	5.75	1.938	2.062	#10-32 UNF*1/4	5/16-18 UNC

Size	INPUT BORE		OUTPUT BORE		FLANGE					NEMA FRAME	OIL (OZ.)
	U	T*V	S	W*Y	LA	LB	LC	LE	Z1		
175	0.625	3/16 * 3/32	1	1/4 * 7/64	5.875	4.5	6.5	0.157	0.433	56C	11.64

* Suitable For Any Ratio

