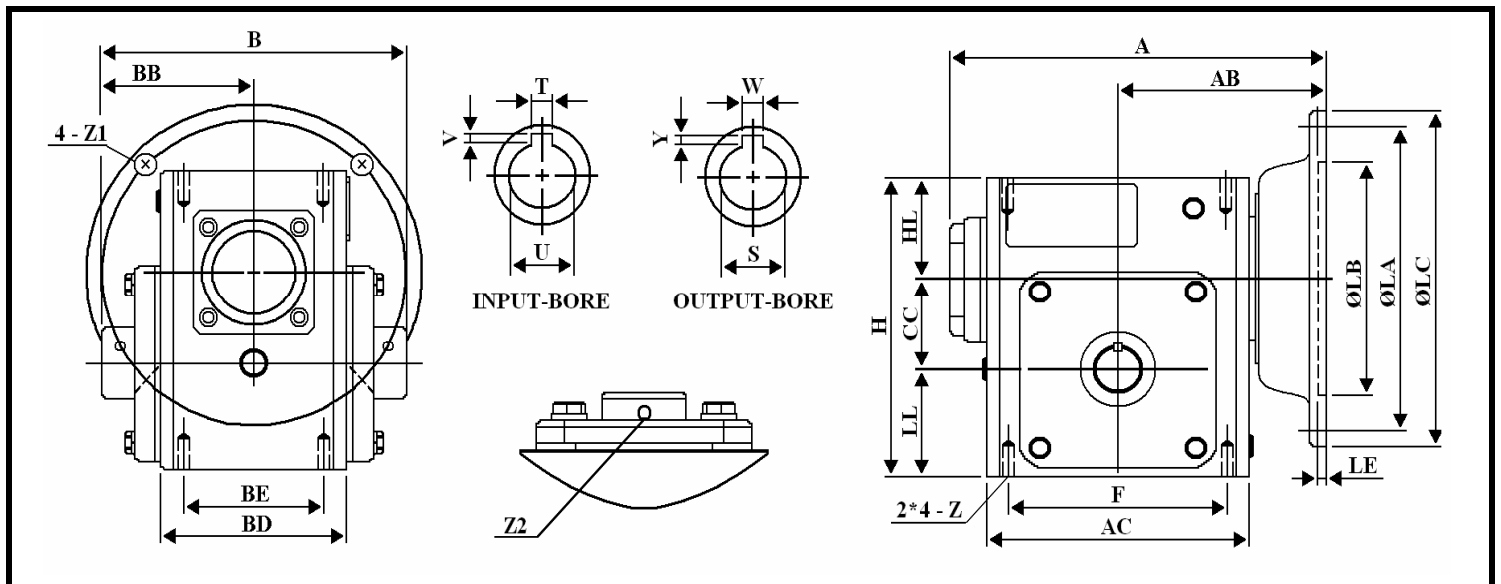
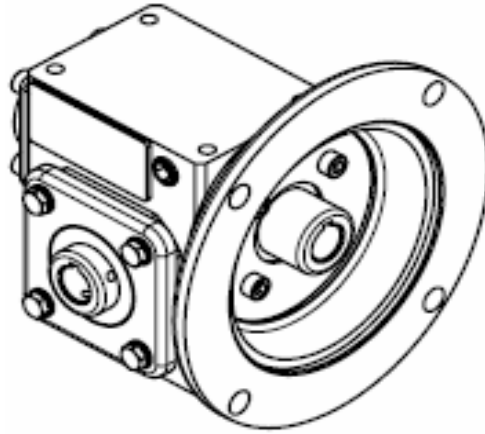


WORLDWIDE ELECTRIC CORPORATION

HdR SERIES PROGRAM - WORM GEAR SPEED REDUCERS

FLANGE INPUT - HOLLOW BORE OUTPUT - DIMENSIONS

MODEL # HdRF262-*-H-56C



DIMENSIONS - Inches

| Size | A | AB | AC | B | BB | BD | BE | CC | F | H | HL | LL | Z2 | Z |
|------|------|-------|-------|---|-----|------|-------|-------|------|---|-------|-------|--------------------|---------------|
| 262 | 9.41 | 5.059 | 7.165 | 7 | 3.5 | 4.68 | 3.375 | 2.625 | 6.38 | 8 | 2.437 | 2.938 | 1/4-28 UNF*7/16 | 3/8-16 UNC |

| Size | INPUT BORE | | OUTPUT BORE | | FLANGE | | | | | NEMA FRAME | OIL (OZ.) |
|------|------------|-------------|-------------|------------|--------|-----|-----|-------|-------|------------|-----------|
| | U | T*V | S | W*Y | LA | LB | LC | LE | Z1 | | |
| 262 | 0.625 | 3/16 * 3/32 | 1.437 | 3/8 * 5/32 | 5.875 | 4.5 | 6.5 | 0.157 | 0.433 | 56C | 34.55 |

* Suitable For Any Ratio

