

BALDOR® • RELIANCE 

Product Information Packet

IDBRPM321504R1

150HP,1750,460V,FL3203,TEBC,F1

Part Detail							
Revision:	B	Status:	PRD/A	Change #:		Proprietary:	No
Type:	AC	Elec. Spec:	L6805A	CD Diagram:	422927-001	Mfg Plant:	
Mech. Spec:		Layout:	619689-001	Poles:	04	Created Date:	11-30-2015
Base:		Eff. Date:	04-16-2018	Leads:			

Specs			
Catalog Number:	IDBRPM321504R1		
Enclosure:	TEBC		
Frame:	FL3203Z		
Output @ Frequency:	150.000 HP @ 60 HZ		
Synchronous Speed @ Frequency:	1800 RPM @ 60 HZ		
Voltage @ Frequency:	460.0 V @ 60 HZ		
Auxillary Box:	No Auxillary Box		
Base Indicator:	Rigid		
Bearing Grease Type:	Polyrex EM (-20F +300F)		
Current @ Voltage:	179.000 A @ 460.0 V		
Duty Rating:	CONT		
Feedback Device:	NO FEEDBACK		
Frame Prefix:	FL		
Heater Indicator:	No Heater		
Insulation Class:	H		
IP Rating:	IP44		
Mounting Arrangement:	F3		
Product Family:	General Industrial		

Pulley End Bearing Type:	Ball		
Pulley Face Code:	Special Combinations Not Liste		
Shaft Ground Indicator:	No Shaft Grounding		
Shaft Rotation:	Reversible		
Motor Standards:	NEMA		
Thermal Device - Bearing:	NONE (OLD)		
Thermal Device - Winding:	Normally Closed Thermostat		

Nameplate 000613006MY										
	DUTY	HP	RPM	AMPS	VOLTS	HZ				
	CONT	150	1780	179	460	60				
	CONT	150	3555	171	460	120				
CAT.NO.	IDBRPM321504R1			SPEC. NO.	F32-A000-0008					
SER.NO.				FR	FL3203Z	INSUL	H			
PH.	3	MAX SAFE SPEED	4000	AMB.	40	MIN. AMB.	-25			
DESIGN NO.	L6805A			TYPE		ENCL.	TEAO-BC			
S.F.	1.00			D.E. BRG.	85BC02J30X					
ENCL MOD				O.D.E. BRG.	65BC03J30X					

Parts List		
Part Number	Description	Quantity
WS303309	WS F32-A000-0008	1.000 EA
RA299518	RA F32-A000-0008	1.000 EA
418018122A	LABEL	2.000 EA
000692000VD	LABEL WARNING	1.000 EA
000692000FP	NP, WARNING LIFT INSTRUCTIONS	1.000 EA
418057747A	METAL FASTENER	8.000 EA
000613006MY	NP-RPMAC INVERTER DUTY	1.000 EA
000692000NH	LABEL DIRECTION AIR FL	1.000 EA
422927001	C/D LABEL	1.000 EA
807584004AAB	BRKT,FL320,ODE	1.000 EA
807584003AAA	BRKT, DE, FL320	1.000 EA
HA4054	SHORT T-DRAIN FITTING, .125" N.P.T.	1.000 EA
HA4054	SHORT T-DRAIN FITTING, .125" N.P.T.	1.000 EA
004824015A	GREASE POLYREX EM	0.900 LB
400638001AD	WAVEN - 400	1.000 EA
418150003A	GREASE FITTING CAP	2.000 EA
035000001A	ALFTG 1/8" 1610-BL	1.000 EA
035000001A	ALFTG 1/8" 1610-BL	1.000 EA
036100090KA	HSHCS SHAFT BLOCK	4.000 EA
036140001E	EYEBOLT	2.000 EA
036100090KA	HSHCS SHAFT BLOCK	4.000 EA
034690002AL	1/4 SQ.HD.PIPE PLUG	1.000 EA
034690002AL	1/4 SQ.HD.PIPE PLUG	1.000 EA
036500013AB	HX NUT,ODE BRKT	4.000 EA

Parts List (continued)		
Part Number	Description	Quantity
036500013AB	HX NUT,ODE BRKT	4.000 EA
609830005AAK	TBOLT	2.000 EA
609830005AAM	TBOLT	2.000 EA
610490001AF	1.5HP,3450//2850RPM,3PH,60//50HZ,56C,352	1.000 EA
036000012JB	M8-1.25 X 12MM HXHDC	3.000 EA
611965001A	WHEEL, BLOWER	1.000 EA
417733004J	GASKT	2.000 EA
611917002F	GASKT	1.000 EA
804814055A	PLATE, BLWR MTG, FL320	1.000 EA
036000016JB	HHCS M8-1.25X16MMPLTD-250	4.000 EA
032018006CK	HHCS 3/8-16X3/4L PLATED	4.000 EA
804814053A	CVR, FAN, FL320, TOP MT	1.000 EA
036000020KB	MHHCS M10-1.5X20MM PLTD.	12.000 EA
000613006NT	NAME PLATE IEC	1.000 EA
417733036C	GASKT,C/BOX BACKPLATE,REF 706310063B	1.000 EA
418057256C	HHCS M10 25MM 440 IEC	1.000 EA
036000016KB	HHCSM10-1.5X16MM PLTD-280	4.000 EA
706310389B	ENTRY PLATE 706310389AB	1.000 EA
417733014C	GASKT (REK P/N 187215)	1.000 EA
036000020JD	HHCS M8X20MM LONG 304S.S	5.000 EA
418018074A	GROUND LABEL G100 METRIC 160 D.C.	1.000 EA
804814054A	GUARD, FAN, FL320	2.000 EA
708528004B	BLOWER HOUSING	1.000 EA
410978010E	INLET FLGE	1.000 EA

Product Information Packet: IDBRPM321504R1 - 150HP,1750,460V,FL3203,TEBC,F1

410978019A	SCREEN, INLET FLANGE	1.000 EA
406673002K	PLUG,CAP	1.000 EA
036000045JB	M8-1.25 X 45MM HXHCS	4.000 EA
036620010AB	M10 EXT. TOOTH LK WASHER	1.000 EA
034630001AJ	1/8" PIPE COUPLING	1.000 EA
034017014AB	LCKW 3/8 STD. PLATED	4.000 EA
613439051A	ADAPT,CBOX,RL320	1.000 EA
034530016AB	P/NIP 1/8X2 PLATED - 320	1.000 EA
418014004A	ADAPT 418014-4WCA	1.000 EA
036600008AD	FLTWSHR,T BLK SPT	8.000 EA
804814051A	BRACE, FAN CVR, FL320	4.000 EA
706310063B	CBOX (REK)	1.000 EA
706310058B	CBCVR(REK P/N 187296)	1.000 EA
417733013B	GASKT (REK P/N 189486)	1.000 EA
036000016HD	HXHCS	8.000 EA
036000012KB	M10 1.50 X 12MM HXHDCS	4.000 EA
034180034JA	3/4X3/4 X 41/4 L KEY	1.000 EA
000640000P	TAG WINDING THERMOST	1.000 EA
004824007K	SPECIAL PAINT	0.300 EA

REL S.O.	-	VOLTS	460	ENCLOSURE	TEBC	WYE	CONN EQ	CKT OHMS	PER PHASE
FRAME	FL3203	AMPS	179	MAX SAFE RPM	4000	(AT BASE RATING, 25 °C)			
HP	150	DUTY	CONT	IM (AMPS)	73	R1	.0159	X1	.105
BASE SPEED	1780	S.F.	1.0	P.F. @NL/FL	.032/.837	R2	.0113	X2	.143
PHASE/HERTZ	3/60	AMB °C/INSUL	40/H	WK ² (lb-ft ²)	21			XM	3.36


RATED FULL LOAD DATA

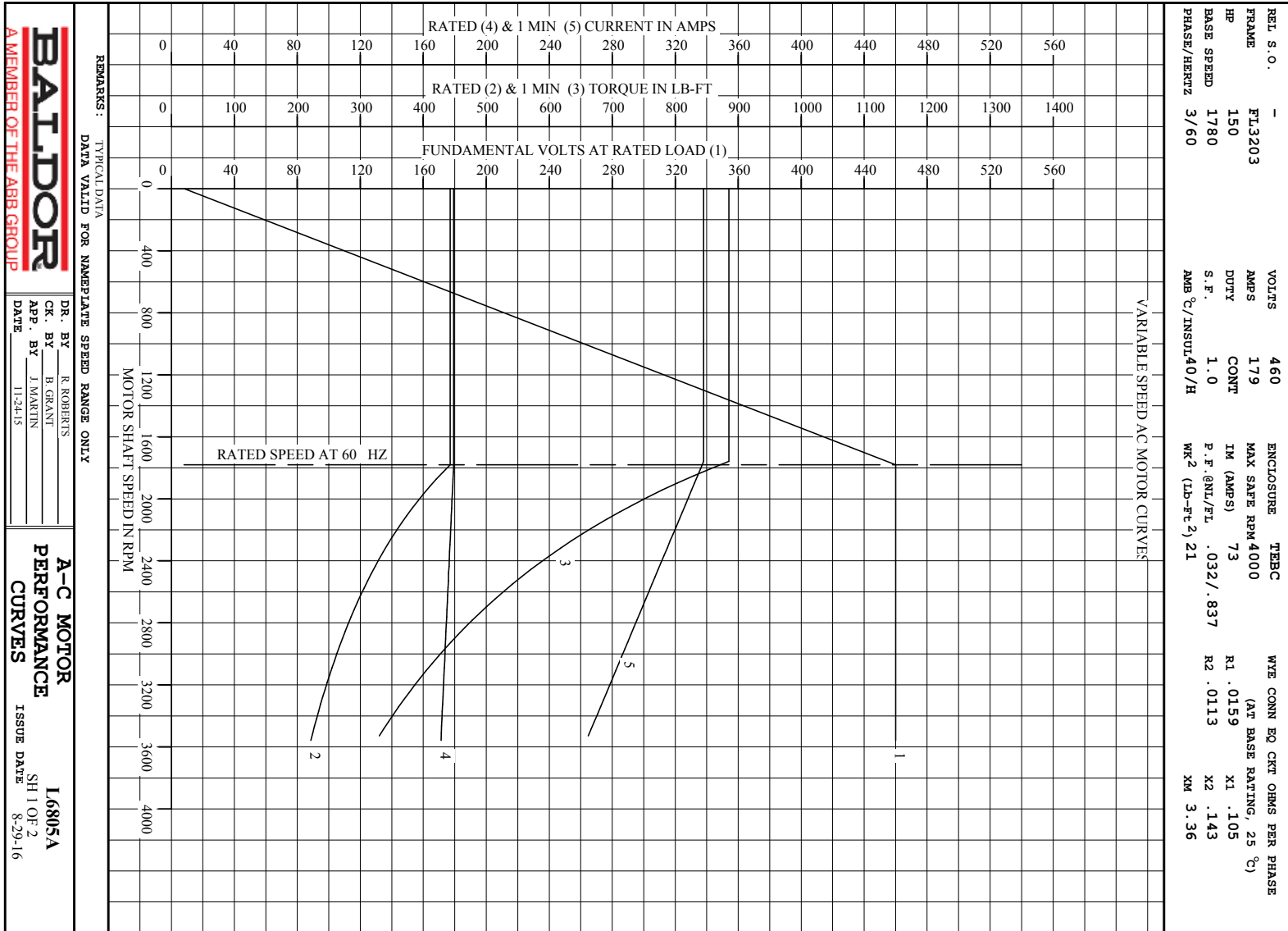
	RPM	HP	TORQUE LB-FT	FUND VOLTS	FREQ-HZ	AMPS
BASE SPEED	1780	150	443	460	60	179
MAX SPEED	3557	150	221	460	120	171
MIN SPEED	0	0	443	8.33	.654	179

LOAD PERFORMANCE AT BASE SPEED

	RPM	HP	TORQUE LB-FT	FUND VOLTS	FREQ-HZ	AMPS
NO LOAD	1800	0	0	460	60	73.0
1/4	1795	37.5	110	460	60	89.0
1/2	1790	75.0	220	460	60	113
3/4	1786	112	331	460	60	144
FULL LOAD	1780	150	443	460	60	179
O/L	1758	296	885	460	60	338

REMARKS: TYPICAL DATA

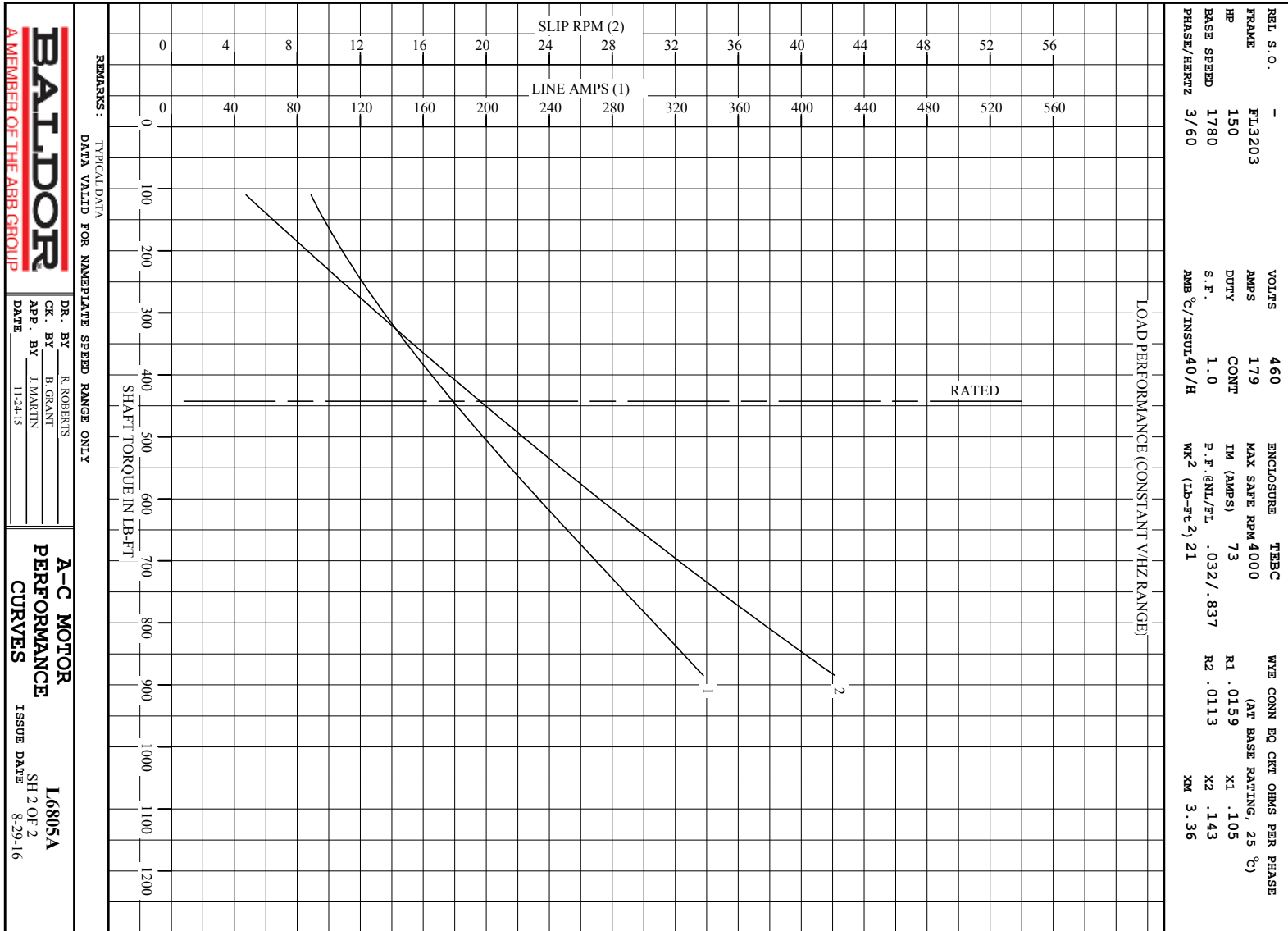
 <p>A MEMBER OF THE ABB GROUP</p>	DR. BY	R. ROBERTS	<p>A-C MOTOR PERFORMANCE DATA</p> <p>I6805A ISSUE DATE 8-29-16</p>
	CR. BY	B. GRANT	
	APP. BY	J. MARTIN	
	DATE	11-24-15	



BALDOR
A MEMBER OF THE ABB GROUP

DR. BY R. ROBERTS
CR. BY B. GRANT
APP. BY J. MARTIN
DATE 11-24-15

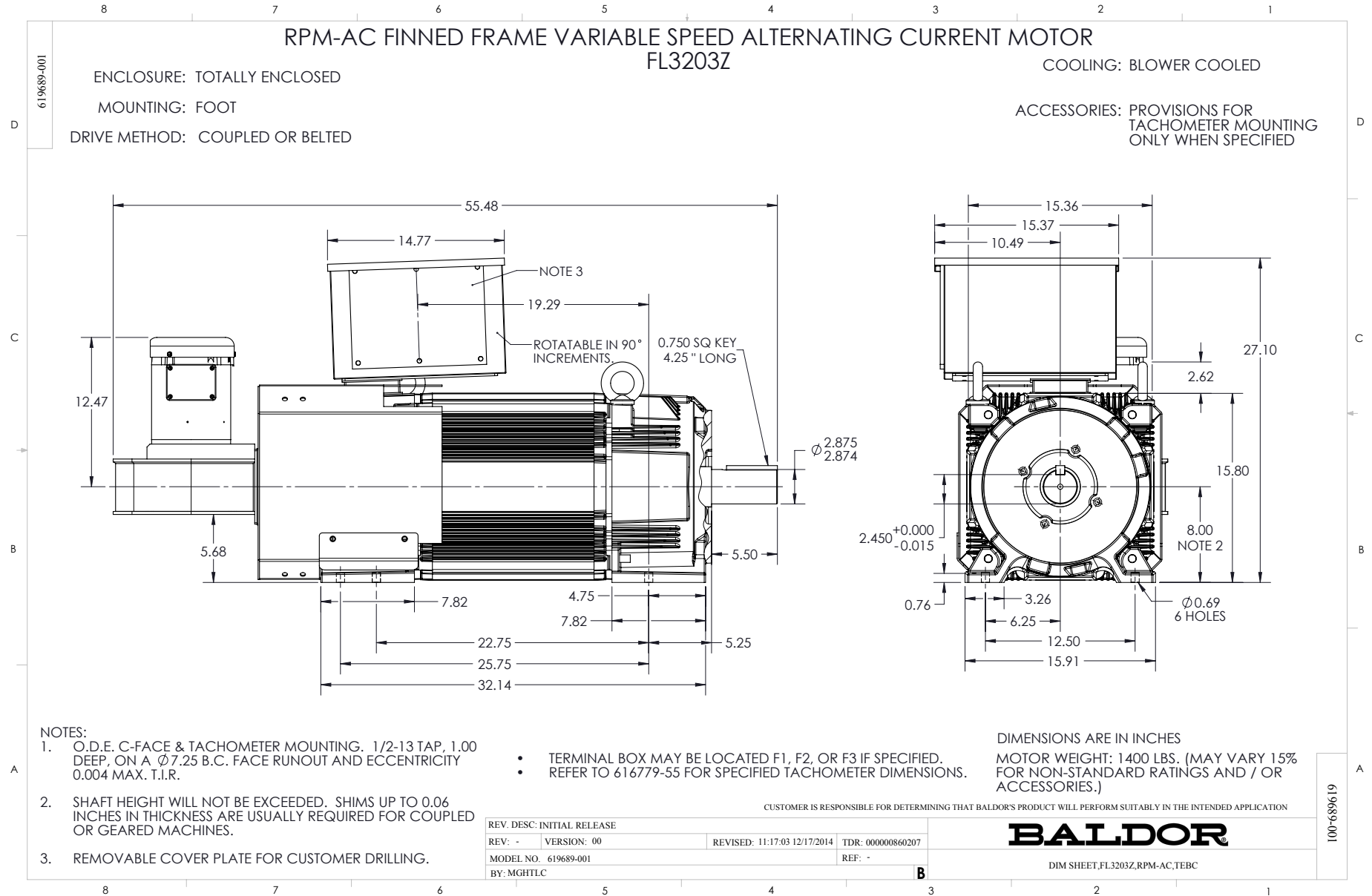
A-C MOTOR
PERFORMANCE
CURVES
L6805A
SH 1 OF 2
ISSUE DATE 8-29-16



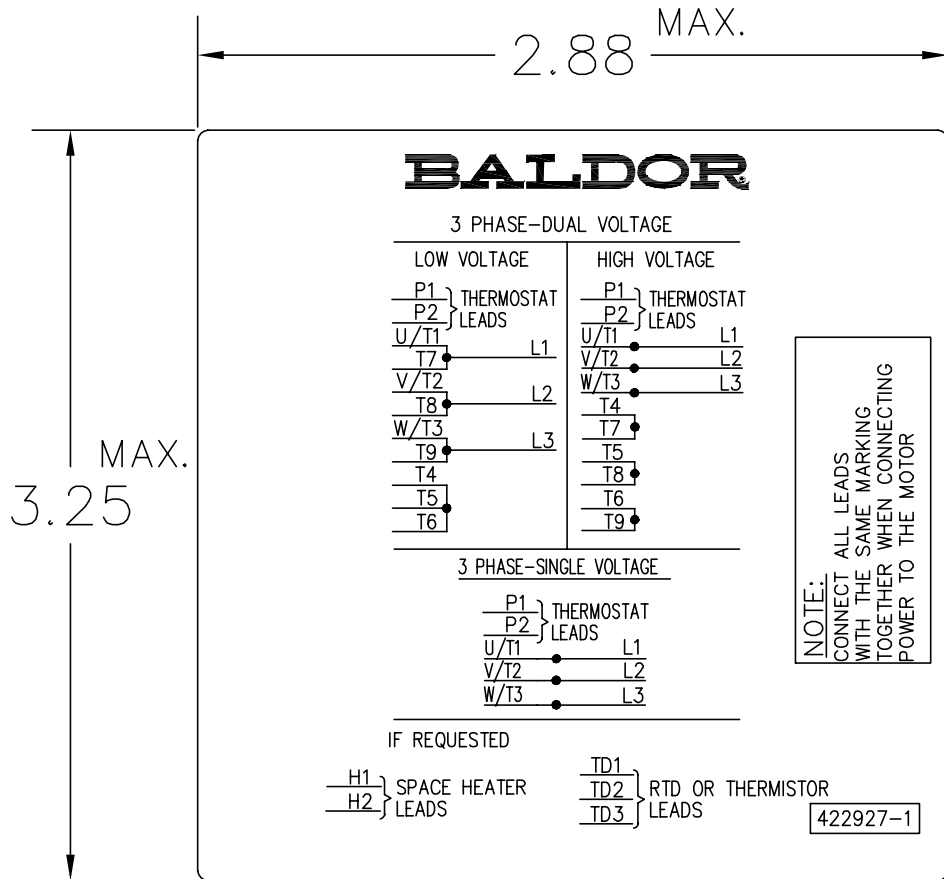
BALDOR
A MEMBER OF THE ABB GROUP

DR. BY R. ROBERTS
CR. BY B. GRANT
APP. BY J. MARTIN
DATE 11-24-15

A-C MOTOR
PERFORMANCE
CURVES
ISSUE DATE 8-29-16
1/6805A
SH 2 OF 2



422927-001



NOTE:
DATA TO BE SIZED
SO THAT IT FITS INTO
MATERIAL DECAL
DIMENSIONS. MAKE
LETTERS & NUMBERS
AS LARGE AS POSSIBLE.

MATERIAL: CERAMATIC DGF-P4
PERMA GRIP ADHESIVE

ALL LETTERS, NUMBERS
AND LINES TO BE BLACK
ON WHITE BACKGROUND.

422927-001

REV. DESC: CHANGE BACKGROUND COLOR FROM GOLD TO WHITE		
REV. LTR: B	VERSION: 02	TDR: 000000788708
FILE: \RGG\00000\203	REVISED: 08:09:29 03/04/2013	
MTL: -	BY: RGGWT	

BALDOR

EXTERNAL CONNECTION LABEL

SH 1 of 1

Marketing maintained PDF of MN406:

<http://www.baldor.com/support/Literature/Load.ashx/MN406?ManNumber=MN406>