

BALDOR® • RELIANCE 

Product Information Packet

IDDRPM25506

50HP, 1140RPM, 3PH, N/AHZ, 2570, DPG-FV,

Part Detail							
Revision:	-	Status:	PRD/A	Change #:		Proprietary:	No
Type:	AC	Elec. Spec:	L0191A	CD Diagram:	422927-001	Mfg Plant:	
Mech. Spec:		Layout:	617214-001	Poles:	04	Created Date:	04-10-2015
Base:		Eff. Date:	04-13-2015	Leads:			

Specs			
Catalog Number:	IDDRPM25506		
Enclosure:	DPFV		
Frame:	RL2570		
Frame Material:	Exposed Laminations		
Output @ Frequency:	50.000 HP @ 40 HZ		
Synchronous Speed @ Frequency:	1200 RPM @ 40 HZ		
Voltage @ Frequency:	460.0 V @ 40 HZ		
Agency Approvals:	CCSA US		
	UR		
Auxillary Box:	No Auxillary Box		
Base Indicator:	Rigid		
Bearing Grease Type:	No Grease		
Current @ Voltage:	64.000 A @ 460.0 V		
Duty Rating:	CONT		
Enclosure Modification:	FORCE VENT		
Feedback Device:	NO FEEDBACK		
Frame Prefix:	RL		
Heater Indicator:	No Heater		

Insulation Class:	H		
Mounting Arrangement:	F1		
Product Family:	General Industrial		
Pulley End Bearing Type:	Ball		
Pulley Face Code:	Standard		
Shaft Ground Indicator:	No Shaft Grounding		
Shaft Rotation:	Reversible		
Motor Standards:	NEMA		
Thermal Device - Bearing:	NONE (OLD)		
Thermal Device - Winding:	Normally Closed Thermostat		

Nameplate 000613006NN												
	DUTY		HP		RPM		AMPS		VOLTS		HZ	
	CONT		50		1140		64		460		40	
	CONT		50		1300		64		460		45.6	
CAT.NO.	IDDRPM25506				SPEC. NO.	P25R0217						
SER.NO					FR	RL 2570		INSUL	H			
PH.	3				MAX SAFE SPEED	5000		AMB.	40		MIN. AMB.	0
DESIGN NO.	L0191A				TYPE							
S.F.	1.00				D.E. BRG.	65BC03JPP30A						
ENCL MOD	FORCE VENT				O.D.E. BRG.	50BC03JPP30A						

Parts List		
Part Number	Description	Quantity
WS286726	WS P25R0217	1.000 EA
RA282934	RA P25R0217	1.000 EA
000613006NN	RPM AC WITH CERTIFIED LOGOS	1.000 EA
000692000FP	NP, WARNING LIFT INSTRUCTIONS	1.000 EA
000692000VD	LABEL WARNING	1.000 EA
036170004EA	ROUND HEAD DRIVE SCREW	4.000 EA
422927001	C/D LABEL	1.000 EA
036100080KA	M10-1.50X 80MM HXSOCHDCS	3.000 EA
036140001C	EYEBOLT - 400	2.000 EA
036500010AB	METRIC NUT M10-1.5PLTD400	4.000 EA
036500010AB	METRIC NUT M10-1.5PLTD400	4.000 EA
400638001H	SPRING WASHER	1.000 EA
HA4054	SHORT T-DRAIN FITTING, .125" N.P.T.	1.000 EA
HA4054	SHORT T-DRAIN FITTING, .125" N.P.T.	1.000 EA
609830005ACH	STUD FRAME .375X13 LG	4.000 EA
807528202EAE	BRKT,DE,RL250,DPFV	1.000 EA
807528203CCB	BRKT,ODE,RL250,DPFV	1.000 EA
000613006NT	NAME PLATE IEC	1.000 EA
032018004AK	HHCS 1/4-20X1/2 PLATED	2.000 EA
032018004DK	HHCS,DRIP COVER	4.000 EA
032018008CK	HHCS 3/8-16X1L PLATED	4.000 EA
034017014AB	LCKW 3/8 STD. PLATED	4.000 EA
036000012JB	M8-1.25 X 12MM HXHDC	3.000 EA
036000012JB	M8-1.25 X 12MM HXHDC	4.000 EA

Parts List (continued)		
Part Number	Description	Quantity
036000020HB	HHCS M6-1.0X20MM PLATED	4.000 EA
036000020HB	HHCS M6-1.0X20MM PLATED	8.000 EA
036321020HB	HEXSOCKET FLAT SCREW M	4.000 EA
036600009AB	METRIC FLWASH M8 PLATED	3.000 EA
036620008AB	M6 METRIC EXT LOCKWASHER	1.000 EA
065591000B	GASK 250-280	1.000 EA
075454001AJ	C/BOX, PAINTED 250-280	1.000 EA
075455000A	CBOXC, PAINTED 250-280	1.000 EA
410978010C	FLANGE, INLET BLOWER HSG.	1.000 EA
410978019A	SCREEN, INLET FLANGE	1.000 EA
415000103A	T/LUG #14AWG-#4AWG W/HOLE FOR .250 BOLT	1.000 EA
417733004T	GASKET CONDUIT BOX	2.000 EA
418018074A	GROUND LABEL G100 METRIC 160 D.C.	1.000 EA
422919352	HHCVR KIT,RL250,DE LOUVERED	1.000 EA
422919352	HHCVR KIT,RL250,DE LOUVERED	1.000 EA
609843001AG	GASKET HANDHOLD COVER	1.000 EA
610409128A	ADAPTER, BLOWER	1.000 EA
610490001AH	.75HP,3450//2850RPM,3PH,60//50HZ,56C,351	1.000 EA
611917002A	GASKT	1.000 EA
611965001A	WHEEL, BLOWER	1.000 EA
706305301A	GUARD, SHAFT	1.000 EA
708528004G	HOUSING, BLOWER	1.000 EA
000640000P	TAG WINDING THERMOST	1.000 EA
004824007K	SPECIAL PAINT	0.100 EA

034180024GA	KEY 1/2X1/2X3 L	1.000 EA
418018116	WARNING PLATE	1.000 EA

REL. S. O. -

FRAME RL2570

HP 50

BASE SPEED 1140

PHASE/HERTZ 3/40

VOLTS 460

AMPS 63.34

DUTY CONT 1.0

S.F. P.F. 1.0

AMB °C/INSUL 40/H

ENCLOSURE MAX SAFE RPM 5000

IM (AMPS) 19.4

P.F. @NL/FL .070/.871

WR² (LB-FT²) 3.84

DEPV WYE CONN EQ CKT OHMS PER PHASE (AT BASE RATING, 25 °C)

R1 .172

R2 .130

R3 .130

X1 .628

X2 .569

X3 14.1


RATED FULL LOAD DATA

	RPM	HP	TORQUE LB-FT	FUND VOLTS	FREQ-HZ	AMPS
BASE SPEED	1147	50.0	229	460	40	63.2
MAX SPEED	1306	50.0	201	460	45.6	62.6
MIN SPEED	0	0	229	33.8	1.78	63.2

LOAD PERFORMANCE AT BASE SPEED

	RPM	HP	TORQUE LB-FT	FUND VOLTS	FREQ-HZ	AMPS
NO LOAD	1200	0	0	460	40	19.2
1/4	1189	12.5	55	460	40	24.1
1/2	1177	25.0	112	460	40	34.3
3/4	1163	37.5	169	460	40	47.5
FULL LOAD	1147	50.0	229	460	40	63.2
O/L	1102	72.1	343	460	40	101

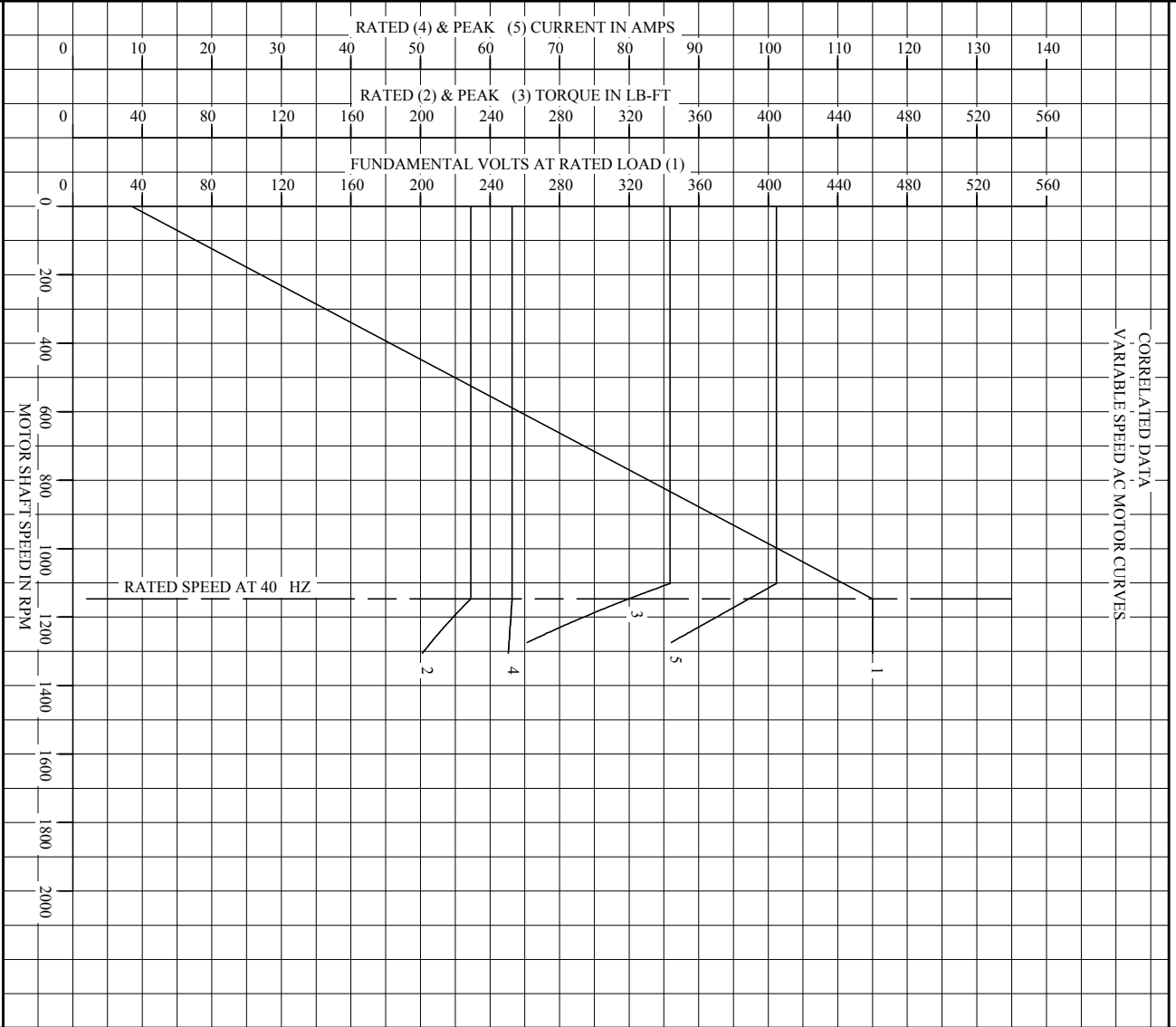
REMARKS: TYPICAL DATA
CORRELATED DATA

 <p>A MEMBER OF THE ABB GROUP</p>	DR. BY B. GRANT	<p>A-C MOTOR</p> <p>PERFORMANCE DATA</p> <p>I0191A</p> <p>ISSUE DATE 3-7-05</p>
	<p>CK. BY T. EVON</p> <p>APP. BY 3-7-05</p>	

C/R 383520

Printed on 3/27/13 13:16 @ r99

REL. S. O.	-	VOLTS	460	ENCLOSURE	DPFV	WYE CONN EQ CKT OHMS PER PHASE (AT BASE RATING, 25 °C)
FRAME	RL2570	AMPS	63.34	MAX SAFE RPM	5000	R1 .172
HP	50	DUTY	CONT	IM (AMPS)	19.4	X1 .628
BASE SPEED	1140	S.F.	1.0	P.F. @NL/FL	.070/.871	R2 .130
PHASE/HERTZ	3/40	AMB C/INSUL	40/H	WK ² (LD-FL 2)	3.84	X2 .569
						X3 14.1



REMARKS: TYPICAL DATA
DATA VALID FOR NAMEPLATE SPEED RANGE ONLY

BALDOR
A MEMBER OF THE ABB GROUP

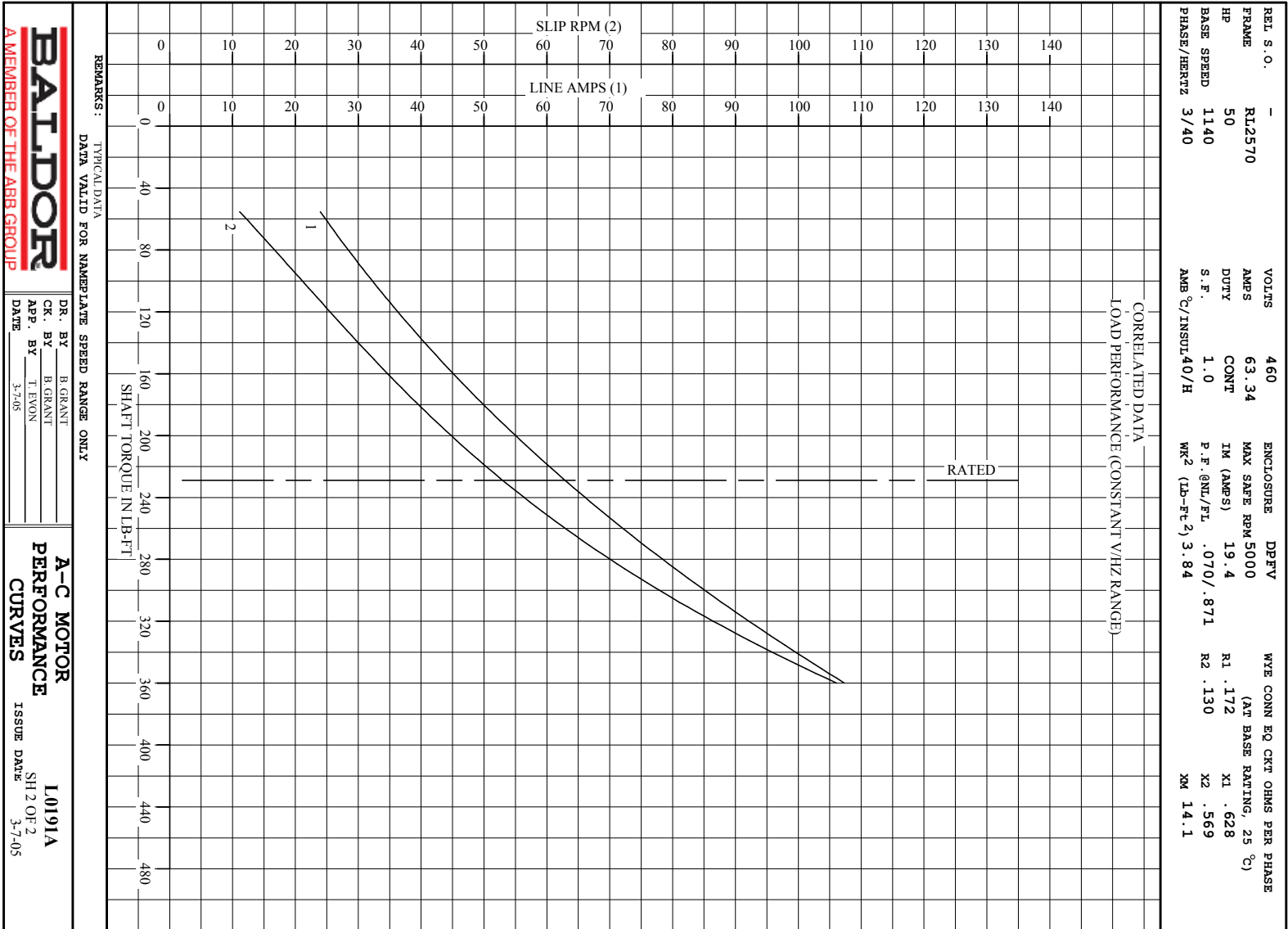
DR. BY B. GRANT
CK. BY B. GRANT
APP. BY T. EVON
DATE 3-7-05

A-C MOTOR PERFORMANCE CURVES

L0191A
SH 1 OF 2
ISSUE DATE 3-7-05

C/R 383520

1

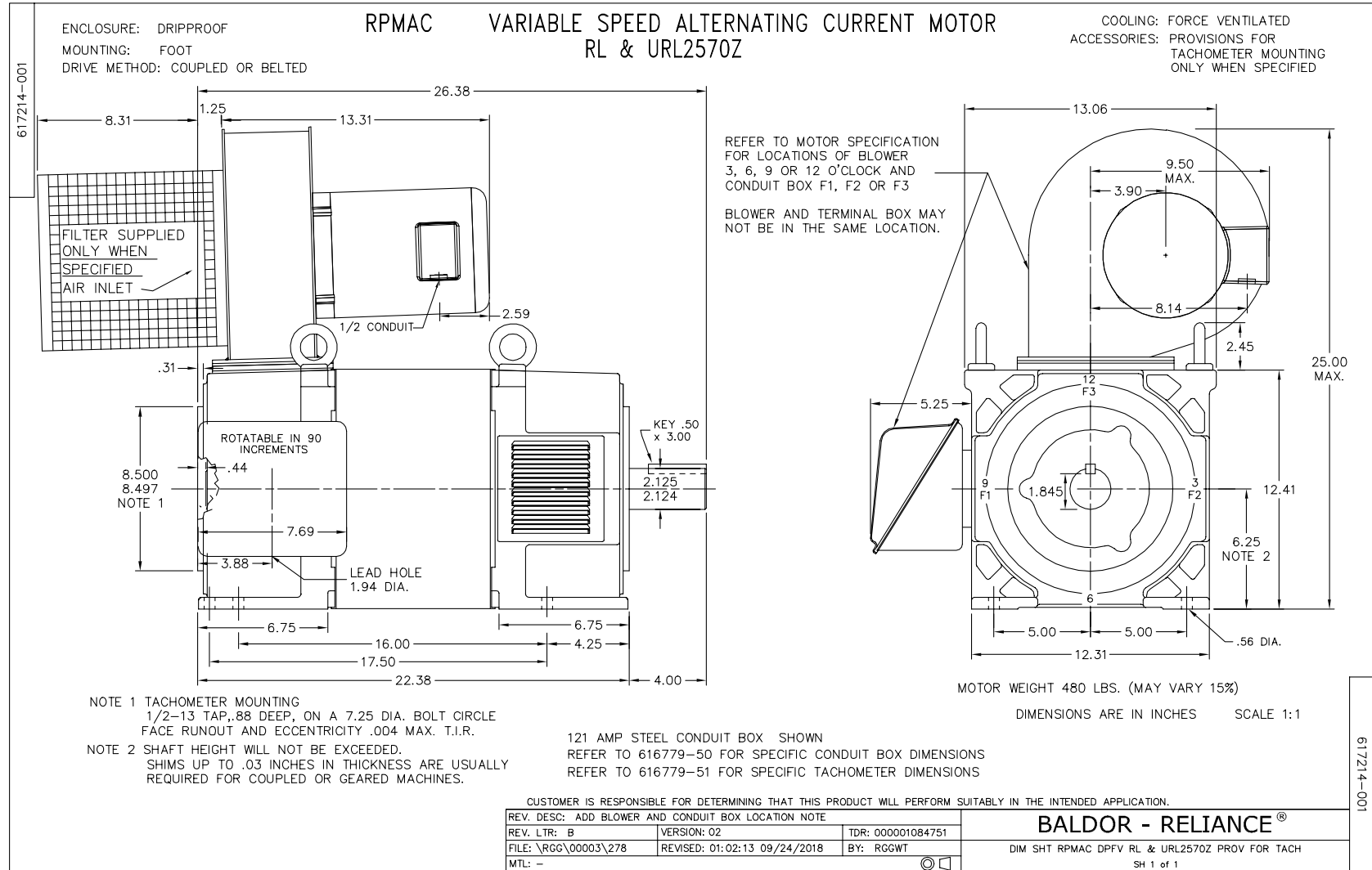


BALDOR
A MEMBER OF THE ABB GROUP

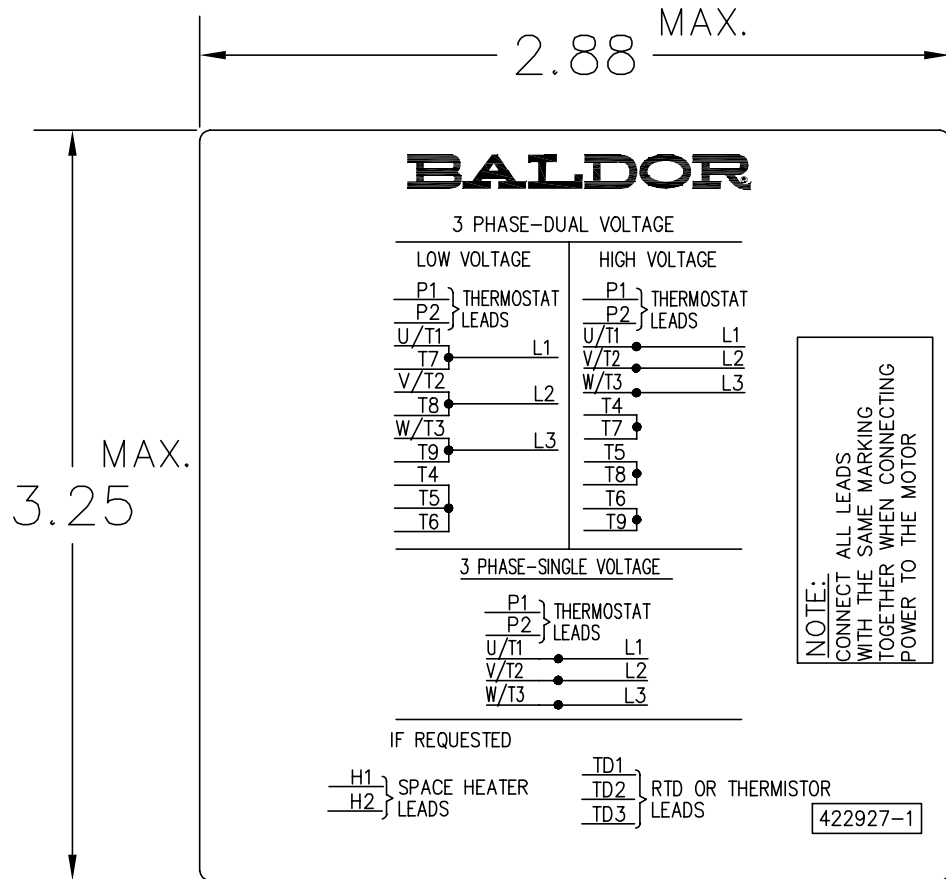
DR. BY B. GRANT
CK. BY B. GRANT
APP. BY T. EVON
DATE 3-7-05

A-C MOTOR
PERFORMANCE
CURVES
L0191A
SH 2 OF 2
ISSUE DATE 3-7-05

C/R 383520



422927-001



NOTE:
DATA TO BE SIZED
SO THAT IT FITS INTO
MATERIAL DECAL
DIMENSIONS. MAKE
LETTERS & NUMBERS
AS LARGE AS POSSIBLE.

MATERIAL: CERAMATIC DGF-P4
PERMA GRIP ADHESIVE

ALL LETTERS, NUMBERS
AND LINES TO BE BLACK
ON WHITE BACKGROUND.

422927-001

REV. DESC: CHANGE BACKGROUND COLOR FROM GOLD TO WHITE		
REV. LTR: B	VERSION: 02	TDR: 000000788708
FILE: \RGG\00000\203	REVISED: 08:09:29 03/04/2013	
MTL: -	BY: RGGWT	

BALDOR

EXTERNAL CONNECTION LABEL

SH 1 of 1

Marketing maintained PDF of MN406:

<http://www.baldor.com/support/Literature/Load.ashx/MN406?ManNumber=MN406>