

BALDOR® • RELIANCE 

Product Information Packet

IDDRPM281256

125HP, 1165RPM, 3PH, NAHZ, L2898, DPG-FV, FOOT

| Part Detail | | | | | | | |
|-------------|----|-------------|------------|-------------|------------|---------------|------------|
| Revision: | - | Status: | PRD/A | Change #: | | Proprietary: | No |
| Type: | AC | Elec. Spec: | L1591A | CD Diagram: | 422927-001 | Mfg Plant: | |
| Mech. Spec: | | Layout: | 617249-001 | Poles: | 04 | Created Date: | 04-10-2015 |
| Base: | | Eff. Date: | 04-13-2015 | Leads: | | | |

| Specs | | | |
|--------------------------------|-------------------------|--|--|
| Catalog Number: | IDDRPM281256 | | |
| Enclosure: | DPFV | | |
| Frame: | RL2898 | | |
| Frame Material: | Exposed Laminations | | |
| Output @ Frequency: | 125.000 HP @ 40 HZ | | |
| Synchronous Speed @ Frequency: | 1200 RPM @ 40 HZ | | |
| Voltage @ Frequency: | 460.0 V @ 40 HZ | | |
| Auxillary Box: | No Auxillary Box | | |
| Base Indicator: | Rigid | | |
| Bearing Grease Type: | Polyrex EM (-20F +300F) | | |
| Current @ Voltage: | 150.900 A @ 460.0 V | | |
| Duty Rating: | CONT | | |
| Enclosure Modification: | FORCE VENT | | |
| Feedback Device: | NO FEEDBACK | | |
| Frame Prefix: | RL | | |
| Heater Indicator: | No Heater | | |
| Insulation Class: | H | | |
| Mounting Arrangement: | F1 | | |

| | | | |
|----------------------------------|----------------------------|--|--|
| Product Family: | General Industrial | | |
| Pulley End Bearing Type: | Ball | | |
| Pulley Face Code: | Standard | | |
| Shaft Ground Indicator: | No Shaft Grounding | | |
| Shaft Rotation: | Reversible | | |
| Motor Standards: | NEMA | | |
| Thermal Device - Bearing: | NONE (OLD) | | |
| Thermal Device - Winding: | Normally Closed Thermostat | | |

| | | | | | | | | | | |
|-----------------------|--------------|-----------|-----------------------|--------------------|--------------|--------------|----|--|------------------|---|
| Nameplate 000613006MY | | | | | | | | | | |
| | DUTY | HP | RPM | AMPS | VOLTS | HZ | | | | |
| | CONT | 125 | 1165 | 150.9 | 460 | 40 | | | | |
| | CONT | 125 | 1970 | 159 | 460 | 68 | | | | |
| | | | | | | | | | | |
| CAT.NO. | IDDRPM281256 | | | SPEC. NO. | P28R0316 | | | | | |
| SER.NO. | | | | FR | RL 2898 | INSUL | H | | | |
| PH. | 3 | | MAX SAFE SPEED | 5000 | | AMB. | 40 | | MIN. AMB. | 0 |
| DESIGN NO. | L1591A | | | TYPE | | ENCL. | DP | | | |
| S.F. | 1.0 | | | D.E. BRG. | 75BC02J30X | | | | | |
| ENCL MOD | FORCE VENT | | | O.D.E. BRG. | 55BC02J30X | | | | | |
| | | | | | | | | | | |

| Parts List | | |
|--------------|-------------------------------------|----------|
| Part Number | Description | Quantity |
| WS286669 | WS P28R0316 | 1.000 EA |
| RA282877 | RA P28R0316 | 1.000 EA |
| 000613006MY | NP-RPMAC INVERTER DUTY | 1.000 EA |
| 000692000FP | NP, WARNING LIFT INSTRUCTIONS | 1.000 EA |
| 000692000LD | NP | 1.000 EA |
| 000692000VD | LABEL WARNING | 1.000 EA |
| 036170004EA | ROUND HEAD DRIVE SCREW | 4.000 EA |
| 422927001 | C/D LABEL | 1.000 EA |
| 004824015A | GREASE POLYREX EM | 0.300 LB |
| 034693001AB | PPLG - G508- use 034692001AB | 1.000 EA |
| 034693001AB | PPLG - G508- use 034692001AB | 1.000 EA |
| 035000001A | ALFTG 1/8" 1610-BL | 1.000 EA |
| 035000001A | ALFTG 1/8" 1610-BL | 1.000 EA |
| 036100080JA | HSHCS M8 80MM UNPLATED | 3.000 EA |
| 036100080KA | M10-1.50X 80MM HXSOCHDCS | 3.000 EA |
| 036140001D | EYEBOLT - 360 | 2.000 EA |
| 036500011AB | METRIC NUT M12-1.75 PLT. | 4.000 EA |
| 036500011AB | METRIC NUT M12-1.75 PLT. | 4.000 EA |
| 400638001G | WAVEN | 1.000 EA |
| 418150003A | GREASE FITTING CAP | 2.000 EA |
| HA4054 | SHORT T-DRAIN FITTING, .125" N.P.T. | 1.000 EA |
| HA4054 | SHORT T-DRAIN FITTING, .125" N.P.T. | 1.000 EA |
| 609830005ACE | TBOLT L2898 | 4.000 EA |
| 807529002AAE | BRKT,DE,RL280 | 1.000 EA |

| Parts List (continued) | | |
|------------------------|---|----------|
| Part Number | Description | Quantity |
| 807529003ACB | BRKT,ODE,RL280 | 1.000 EA |
| 000613006NT | NAME PLATE IEC | 1.000 EA |
| 032018004DK | HHCS,DRIP COVER | 4.000 EA |
| 032018006CK | HHCS 3/8-16X3/4L PLATED | 4.000 EA |
| 034017014AB | LCKW 3/8 STD. PLATED | 4.000 EA |
| 034017016AB | LCKW 1/2" PLATED | 4.000 EA |
| 036000012HB | HHCS M6X12MM LONG PLATED | 4.000 EA |
| 036000012JB | M8-1.25 X 12MM HXHDC | 3.000 EA |
| 036000012JB | M8-1.25 X 12MM HXHDC | 4.000 EA |
| 036000016KB | HHCSM10-1.5X16MM PLTD-280 | 2.000 EA |
| 036000016KF | HHCS M10 16MM BRASS | 2.000 EA |
| 036000020JB | HHCS M8-1.25X20L PLTD-250 | 8.000 EA |
| 036000025JB | HHCS M8X25MM LONG PLATED | 4.000 EA |
| 036600009AB | METRIC FLWASH M8 PLATED | 3.000 EA |
| 036620009AB | M8 EXTERNAL LK WASHER | 3.000 EA |
| 036620010AB | M10 EXT. TOOTH LK WASHER | 2.000 EA |
| 077176001A | CBOXC, PAINTED 360-400 | 1.000 EA |
| 402731001A | GASK 360-440 | 1.000 EA |
| 410978010C | FLANGE, INLET BLOWER HSG. | 1.000 EA |
| 410978019A | SCREEN, INLET FLANGE | 1.000 EA |
| 415000103E | T/LUG #4AWG-1/0AWG W/HOLE FOR .375 BOLT | 1.000 EA |
| 417733004AA | GASKET | 2.000 EA |
| 418018074A | GROUND LABEL G100 METRIC 160 D.C. | 3.000 EA |
| 422919360 | HHCVR KIT,RL280, DE, LOUVERED | 1.000 EA |

Product Information Packet: IDDRPM281256 - 125HP,1165RPM,3PH,NAHZ,L2898,DPG-FV,FOOT

| | | |
|-------------|--|----------|
| 422919360 | HHCVR KIT,RL280, DE, LOUVERED | 1.000 EA |
| 609843001AH | GASKET RL280 (HHCVR) | 1.000 EA |
| 610490001AH | .75HP,3450//2850RPM,3PH,60//50HZ,56C,351 | 1.000 EA |
| 611965001A | WHEEL, BLOWER | 1.000 EA |
| 706305301A | GUARD, SHAFT | 1.000 EA |
| 706320016A | CONDUIT BOX | 1.000 EA |
| 708528004J | BLOWER HOUSING | 1.000 EA |
| 000640000P | TAG WINDING THERMOST | 1.000 EA |
| 004824007K | SPECIAL PAINT | 0.100 EA |
| 034180032HA | KEY 5/8X5/8X4 L bin stocked | 1.000 EA |
| 418018116 | WARNING PLATE | 1.000 EA |

| | | | | | | | | | |
|-------------|--------|--------------|------|---------------------------------------|-----------|-------------------------|---------|----------|-----------|
| REL S.O. | - | VOLTS | 460 | ENCLOSURE | DPFV | WYE | CONN EQ | CKT OHMS | PER PHASE |
| FRAME | RL2898 | AMPS | 151 | MAX SAFE RPM | 5000 | (AT BASE RATING, 25 °C) | | | |
| HP | 125 | DUTY | CONT | IM (AMPS) | 48 | R1 | .0460 | X1 | .223 |
| BASE SPEED | 1165 | S.F. | 1.0 | P.F. @NL/FL | .055/.870 | R2 | .0346 | X2 | .239 |
| PHASE/HERTZ | 3/40 | AMB °C/INSUL | 40/H | WK ² (lb-ft ²) | 11.1 | | | XM | 5.66 |


RATED FULL LOAD DATA

| | RPM | HP | TORQUE LB-FT | FUND VOLTS | FREQ-HZ | AMPS |
|------------|------|-----|-----------------|---------------|---------|------|
| BASE SPEED | 1167 | 125 | 562 | 460 | 40 | 151 |
| MAX SPEED | 1969 | 125 | 333 | 460 | 67.8 | 157 |
| MIN SPEED | 0 | 0 | 0 | 21.4 | 1.10 | 151 |

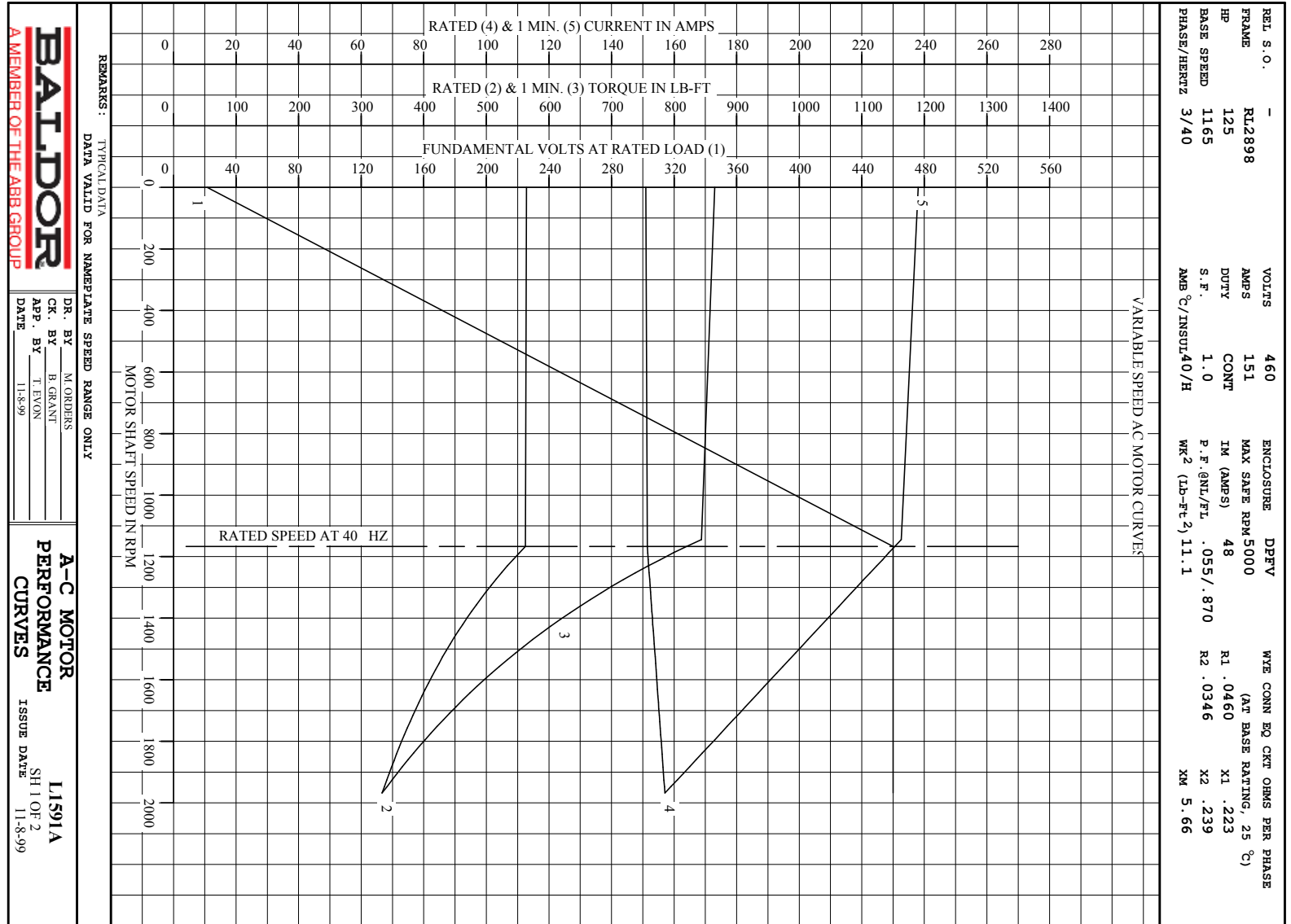
LOAD PERFORMANCE AT BASE SPEED

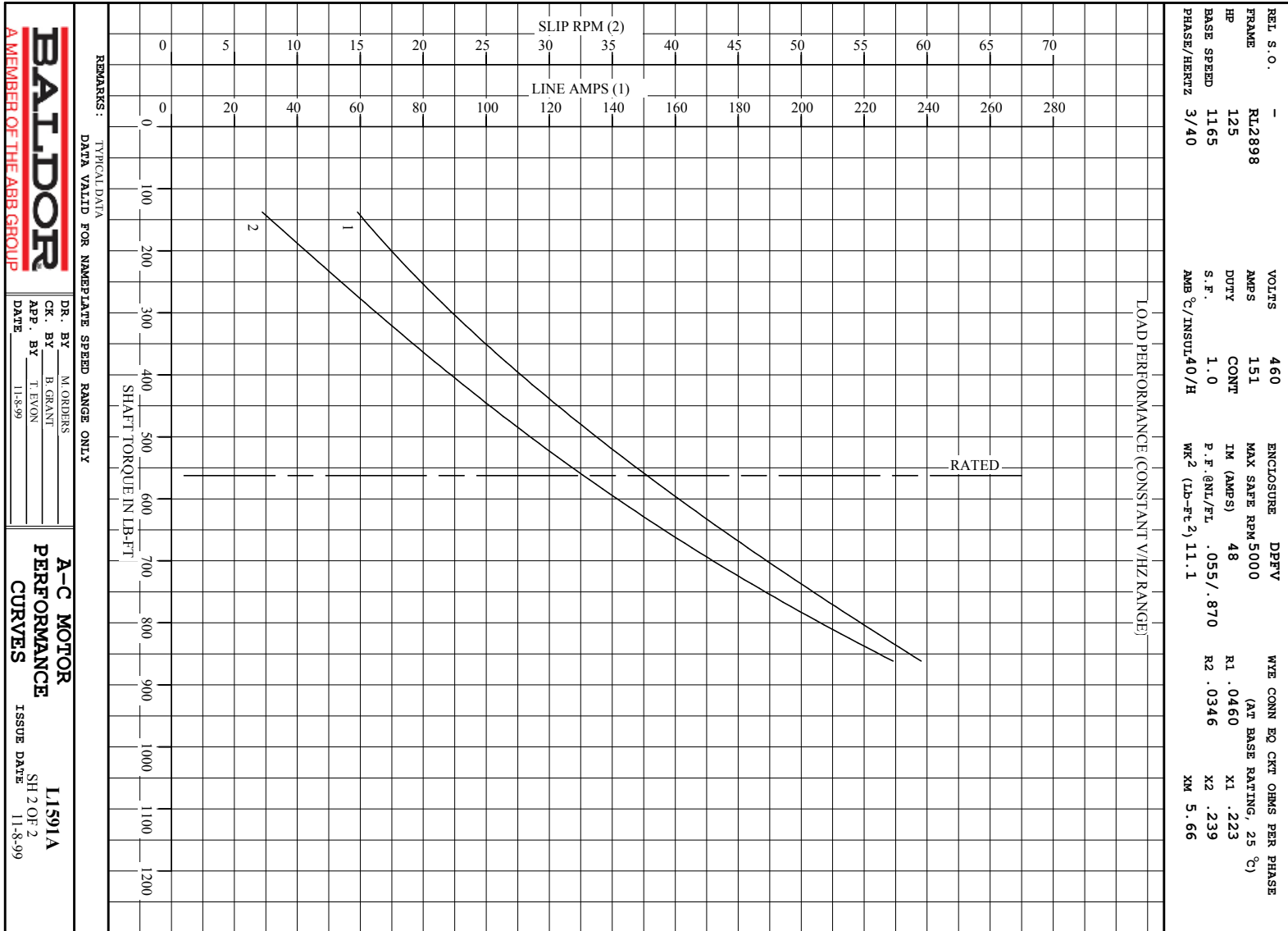
| | RPM | HP | TORQUE LB-FT | FUND VOLTS | FREQ-HZ | AMPS |
|-----------|------|------|-----------------|---------------|---------|------|
| NO LOAD | 1200 | 0 | 0 | 460 | 40 | 47.0 |
| 1/4 | 1193 | 31.3 | 138 | 460 | 40 | 59.2 |
| 1/2 | 1185 | 62.6 | 278 | 460 | 40 | 84.3 |
| 3/4 | 1177 | 93.7 | 418 | 460 | 40 | 115 |
| FULL LOAD | 1167 | 125 | 562 | 460 | 40 | 151 |
| O/L | 1144 | 184 | 844 | 460 | 40 | 233 |

REMARKS: TYPICAL DATA

| | | | |
|---|---------|-----------|--|
|  <p>A MEMBER OF THE ABB GROUP</p> | DR. BY | M. ORDERS | <p>A-C MOTOR</p> <p>PERFORMANCE</p> <p>DATA</p> |
| | CR. BY | B. GRANT | |
| | APP. BY | T. EVON | |
| | DATE | 11-8-99 | |

L1591A
ISSUE DATE 11-8-99

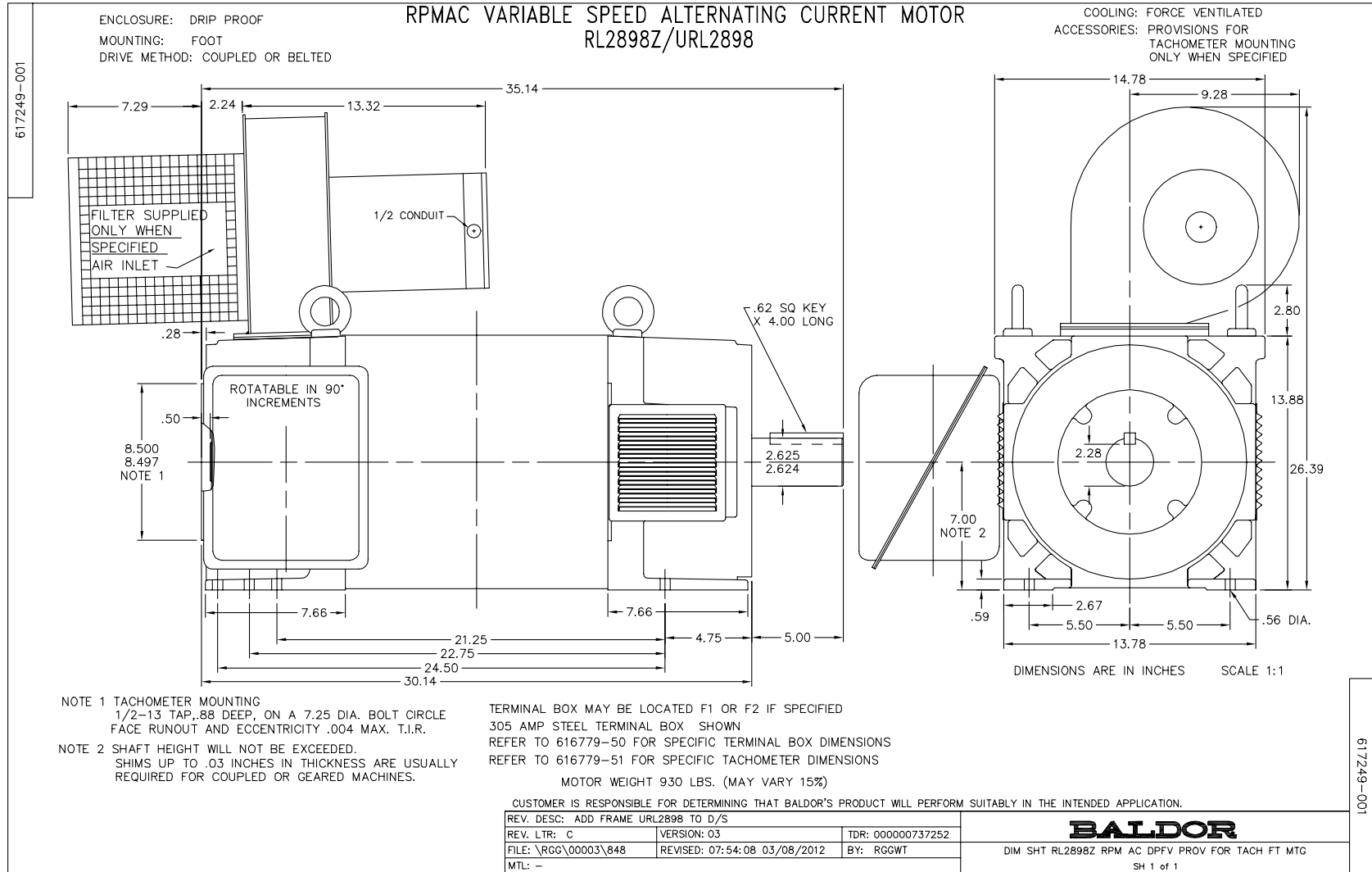




BALDOR
A MEMBER OF THE ABB GROUP

DR. BY M. ORDERS
CR. BY B. GRANT
APP. BY T. EVON
DATE 11-8-99

A-C MOTOR
PERFORMANCE
CURVES
L1591A
SH 2 OF 2
ISSUE DATE 11-8-99

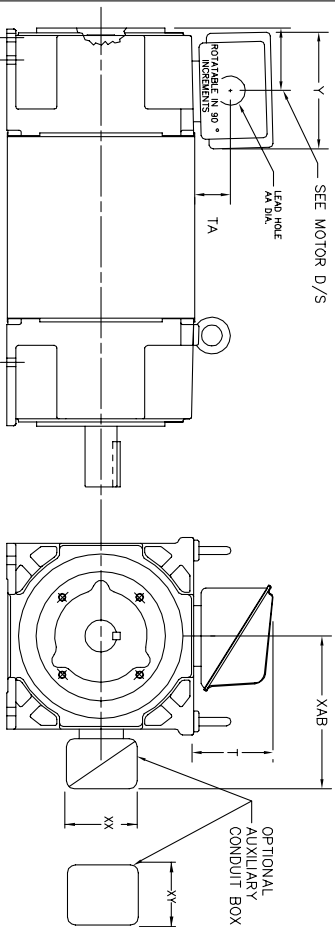


616779-050

INDUSTRIAL ALTERNATING CURRENT MOTORS

RPM AC

STEEL, CAST IRON, MILL AND TERMINAL BOARD CONDUIT BOX DIMENSIONS
 NEMA FRAMES RL210 thru RL280 and IEC FRAMES RDL132 thru RDL180
 NEMA FRAMES FL180 thru FL280 and IEC FRAMES FDL112 thru FDL180



| FRAME | TYPE | TERMINAL STRIP | AMPS | C/BOX | Y | TA | T | AA |
|---------------|-----------|----------------|------|------------|------|------|------|-----------|
| FL180 | STEEL | N | 40 | 706320003A | 5.00 | 1.62 | 3.00 | 1.12 |
| FL180 | STEEL | Y/N | 7/8 | 706320005A | 6.12 | 2.38 | 4.38 | 1.75/2.00 |
| FL180 | STEEL | N | 208 | 706320007A | 7.62 | 2.00 | 7.00 | 2.50/3.00 |
| FL180 & FDL11 | CAST IRON | Y/N | 60 | 706320004C | 5.75 | 2.38 | 4.38 | 1.0 TAP |
| FL180 & FDL11 | MILL | Y | 100 | 706310056A | 7.75 | 2.30 | 4.40 | PG29/PG16 |

| | | | | | | | | |
|---------------|-----------|---|-----|-------------|-------|------|-------|-----------|
| FL210 & RL210 | STEEL | N | 61 | 0754520008 | 6.34 | 2.00 | 4.12 | 1.75 |
| FL210 & RL210 | STEEL | N | 121 | 075454001AJ | 7.69 | 2.38 | 5.25 | 1.94 |
| FL210 & RL210 | STEEL | N | 305 | 706320016A | 9.00 | 4.12 | 8.44 | 4.59 |
| FL210 & RL210 | CAST IRON | N | 110 | 0754600628 | 7.25 | 2.50 | 5.25 | 1.5 TAP |
| FL210 & RL210 | MILL | Y | 100 | 706310056A | 7.75 | 2.30 | 4.40 | PG29/PG16 |
| FL210 & RL210 | MILL | Y | 160 | 7063100568 | 9.00 | 3.06 | 5.40 | PG36/PG16 |
| FDL13 & RDL13 | MILL | Y | 160 | 7063100638 | 14.39 | 7.43 | 12.15 | BLANK |

| | | | | | | | | |
|---------------|-----------|---|-----|-------------|-------|------|-------|-----------|
| FL250 & RL250 | STEEL | N | 61 | 0754520008 | 6.34 | 2.00 | 4.12 | 1.75 |
| FL250 & RL250 | STEEL | N | 121 | 075454001AJ | 7.69 | 2.38 | 5.25 | 1.94 |
| FL250 & RL250 | STEEL | N | 305 | 706320016A | 9.00 | 4.12 | 8.44 | 4.59 |
| FL250 & RL250 | CAST IRON | N | 110 | 0754600628 | 7.25 | 2.50 | 5.25 | 1.5 TAP |
| FL250 & RL250 | CAST IRON | N | 210 | 706320013A | 10.50 | 4.88 | 9.00 | 4.0 TAP |
| FL250 & RL250 | CAST IRON | N | 510 | 706320014D | 15.00 | 7.56 | 12.81 | 5.0 TAP |
| FL16 & RDL16 | MILL | Y | 100 | 706310056A | 7.75 | 2.30 | 4.40 | PG29/PG16 |
| FL250 & RL250 | MILL | Y | 160 | 7063100568 | 9.00 | 3.06 | 5.40 | PG36/PG16 |
| FL250 & RL250 | MILL | Y | 400 | 7063100638 | 14.39 | 7.43 | 12.15 | BLANK |

| | | | | | | | | |
|---------------|-----------|---|-----|------------|-------|------|-------|-----------|
| FL280 & RL280 | STEEL | N | 160 | 706320009A | 7.25 | 3.50 | 7.06 | 2.50 |
| FL280 & RL280 | STEEL | N | 305 | 706320016A | 9.00 | 4.12 | 8.44 | 4.59 |
| FL280 & RL280 | STEEL | N | 500 | 702658001C | 14.62 | 7.56 | 12.70 | 5.00 |
| FL280 & RL280 | CAST IRON | N | 140 | 7063200128 | 9.25 | 4.81 | 8.58 | 3.0 TAP |
| FL280 & RL280 | CAST IRON | N | 210 | 706320013A | 10.50 | 4.88 | 9.00 | 4.0 TAP |
| FL280 & RL280 | CAST IRON | N | 510 | 706320014D | 15.00 | 7.56 | 12.81 | 5.0 TAP |
| FL18 & RDL18 | MILL | Y | 100 | 706310056A | 7.75 | 2.30 | 4.40 | PG29/PG16 |
| FL18 & RDL18 | MILL | Y | 160 | 7063100568 | 9.00 | 3.06 | 5.40 | PG36/PG16 |
| FL280 & RL280 | MILL | Y | 400 | 7063100638 | 14.39 | 7.43 | 12.15 | BLANK |

| FRAME SIZE | XAB | XX | XY | PART NUMBER | FRAME SIZE | XAB | XX | XY | PART NUMBER |
|-------------------------|------|------|------|--------------|-------------------------|-------|------|------|-------------|
| FL180/TL180/RL280/VL180 | 7.38 | 4.25 | 4.25 | 603C007-26-A | FL180/TL180/RL210/VL180 | 10.88 | 8.00 | 8.00 | 706310-3-B |
| FL280/TL180/RL280/VL180 | 9.12 | 4.25 | 4.25 | 603C007-26-A | FL280/TL180/RL280/VL180 | 11.88 | 8.00 | 8.00 | 706310-3-B |
| | | | | | FL280/TL180/RL280/VL180 | 12.62 | 8.00 | 8.00 | 706310-3-B |

- (1) TAP CONDUIT
- (2) TAP PIPE TAP
- (3) CUSTOMER TO PROVIDE HOLE FOR CONDUIT.
- (4) 2" DN -5A or 1" TAP DN -4C

TERMINAL BOX CAN BE KEPT FOR LEAD OUTLET AT TOP SIDES OR BOTTOM TERMINAL BOX CAN BE KEPT FOR LEAD OUTLET AT TOP SIDES OR BOTTOM SIDE WHEN SPECIFIED. DIM LOCATED ON TOP WHEN SPECIFIED.

050-667919

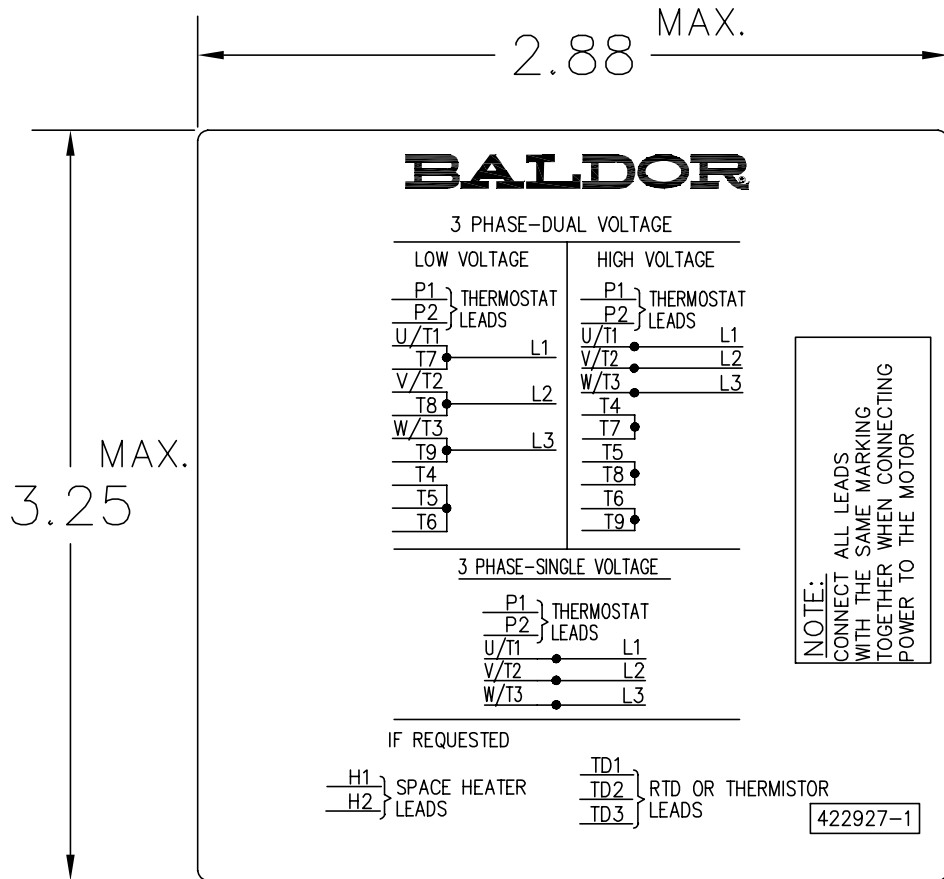
CUSTOMER IS RESPONSIBLE FOR DETERMINING THAT BALDOR'S PRODUCT WILL PERFORM SUITABLY IN THE INTENDED APPLICATION.

| | | |
|--------------------------------------|------------------------------|------------------|
| REV. DESC: REPLACE CONDUIT BOX TABLE | VERSION: 04 | TDR: 00001047838 |
| REV. LTR: D | REVISED: 11:46:16 10/19/2017 | BY: RGGWT |
| FILE: \\RGG\00003\692 | | |
| MTL: 1 | | |

DIM SHT NEMA RL210-RL280 FL180-FL280 IEC RDL132-RDL180

SH 1 of 1

422927-001



NOTE:
DATA TO BE SIZED
SO THAT IT FITS INTO
MATERIAL DECAL
DIMENSIONS. MAKE
LETTERS & NUMBERS
AS LARGE AS POSSIBLE.

MATERIAL: CERAMATIC DGF-P4
PERMA GRIP ADHESIVE

ALL LETTERS, NUMBERS
AND LINES TO BE BLACK
ON WHITE BACKGROUND.

422927-001

| | | |
|---|------------------------------|-------------------|
| REV. DESC: CHANGE BACKGROUND COLOR FROM GOLD TO WHITE | | |
| REV. LTR: B | VERSION: 02 | TDR: 000000788708 |
| FILE: \RGG\00000\203 | REVISED: 08:09:29 03/04/2013 | |
| MTL: - | BY: RGGWT | |

BALDOR

EXTERNAL CONNECTION LABEL

SH 1 of 1

Marketing maintained PDF of MN406:

<http://www.baldor.com/support/Literature/Load.ashx/MN406?ManNumber=MN406>