

**BALDOR® • RELIANCE** 

**Product Information Packet**

**IDDRPM362506R1**

**250HP, 1170/1810RPM, 460V, 3PH, DPGFV, RL3698**

Part Detail							
Revision:	C	Status:	PRD/A	Change #:		Proprietary:	No
Type:	AC	Elec. Spec:	L6130A	CD Diagram:	422927-001	Mfg Plant:	
Mech. Spec:		Layout:	619680-001	Poles:	04	Created Date:	04-09-2015
Base:		Eff. Date:	07-17-2017	Leads:			

Specs			
Catalog Number:	IDDRPM362506R1		
Enclosure:	DPFV		
Frame:	RL3698		
Frame Material:	Exposed Laminations		
Output @ Frequency:	250.000 @ 40 HZ		
	250.000 HP @ 40 HZ		
Synchronous Speed @ Frequency:	1200 RPM @ 40 HZ		
Voltage @ Frequency:	460.0 V @ 40 HZ		
	460 V @ 40 HZ		
Auxillary Box:	No Auxillary Box		
Base Indicator:	Rigid		
Bearing Grease Type:	Polyrex EM (-20F +300F)		
Current @ Voltage:	298.000 A @ 460.0 V		
Duty Rating:	CONT		
Enclosure Modification:	FORCE VENT		
Feedback Device:	NO FEEDBACK		
Frame Prefix:	RL		
Heater Indicator:	No Heater		

<b>Insulation Class:</b>	H		
<b>Mounting Arrangement:</b>	F1		
<b>Product Family:</b>	General Industrial		
<b>Pulley End Bearing Type:</b>	Ball		
<b>Pulley Face Code:</b>	C-Face		
<b>Shaft Ground Indicator:</b>	No Shaft Grounding		
<b>Shaft Rotation:</b>	Reversible		
<b>Motor Standards:</b>	NEMA		
<b>Thermal Device - Bearing:</b>	NONE (OLD)		
<b>Thermal Device - Winding:</b>	Normally Closed Thermostat		

Nameplate 000613006MY										
	<b>DUTY</b>	<b>HP</b>	<b>RPM</b>	<b>AMPS</b>	<b>VOLTS</b>	<b>HZ</b>				
	CONT	250	1170	298	460	40				
	CONT	250	2000	302	460	62				
<b>CAT.NO.</b>	IDDRPM362506R1			<b>SPEC. NO.</b>	P36R1323					
<b>SER.NO.</b>				<b>FR</b>	RL 3698	<b>INSUL</b>	H			
<b>PH.</b>	3		<b>MAX SAFE SPEED</b>	3750		<b>AMB.</b>	40		<b>MIN. AMB.</b>	-25
<b>DESIGN NO.</b>	L6130A			<b>TYPE</b>		<b>ENCL.</b>	DP			
<b>S.F.</b>	1.00			<b>D.E. BRG.</b>	95BC02J30X					
<b>ENCL MOD</b>	FORCE VENT			<b>O.D.E. BRG.</b>	80BC03J30X					

Parts List		
Part Number	Description	Quantity
WS286631	WS P36R1323	1.000 EA
RA282839	RA P36R1323	1.000 EA
000613006MY	NP-RPMAC INVERTER DUTY	1.000 EA
000692000FP	NP, WARNING LIFT INSTRUCTIONS	1.000 EA
000692000VD	LABEL WARNING	1.000 EA
418057747A	METAL FASTENER	8.000 EA
422927001	C/D LABEL	1.000 EA
004824015A	GREASE POLYREX EM	0.900 LB
034690002AL	1/4 SQ.HD.PIPE PLUG	1.000 EA
034690002AL	1/4 SQ.HD.PIPE PLUG	1.000 EA
035000001A	ALFTG 1/8" 1610-BL	1.000 EA
035000001A	ALFTG 1/8" 1610-BL	1.000 EA
036100090KA	HSHCS SHAFT BLOCK	4.000 EA
036100100KA	HSHCS BRACKET LE	4.000 EA
036140001E	EYEBOLT	2.000 EA
036500013AB	HX NUT,ODE BRKT	4.000 EA
036500013AB	HX NUT,ODE BRKT	4.000 EA
418150003A	GREASE FITTING CAP	2.000 EA
419912001B	W WASHER	1.000 EA
HA4054	SHORT T-DRAIN FITTING, .125" N.P.T.	1.000 EA
HA4054	SHORT T-DRAIN FITTING, .125" N.P.T.	1.000 EA
708532005A	L360 AIR BAFFLE	1.000 EA
609830005ADB	STUD,FRAME,FL320	2.000 EA
609830005AAK	TBOLT	2.000 EA

Parts List (continued)		
Part Number	Description	Quantity
807531003AA	BRKT,BE/DE,RL360	1.000 EA
807531004AA	BRKT,FE/ODE,RL360	1.000 EA
000613006NT	NAME PLATE IEC	1.000 EA
032018004DK	HHCS,DRIP COVER	4.000 EA
032018006CK	HHCS 3/8-16X3/4L PLATED	4.000 EA
034017014AB	LCKW 3/8 STD. PLATED	4.000 EA
036000012JB	M8-1.25 X 12MM HXHDC	3.000 EA
036000012KB	M10 1.50 X 12MM HXHDCS	4.000 EA
036000016HD	HXHCS	8.000 EA
036000020JB	HHCS M8-1.25X20L PLTD-250	6.000 EA
036000020JD	HHCS M8X20MM LONG 304S.S	5.000 EA
036600008AD	FLTWSHR,T BLK SPT	8.000 EA
036600009AB	METRIC FLWASH M8 PLATED	3.000 EA
036620010AB	M10 EXT. TOOTH LK WASHER	1.000 EA
417733036C	GASKT,C/BOX BACKPLATE,REF 706310063B	1.000 EA
410978010F	FLANGE, INLET BLOWER HSG	1.000 EA
410978015A	GRILL, INLET FLANGE	1.000 EA
036000045KB	MHHCS M10-1.5X45MM PLTD.	4.000 EA
417733004J	GASKT	2.000 EA
417733013B	GASKT (REK P/N 189486)	1.000 EA
417733014C	GASKT (REK P/N 187215)	1.000 EA
418014004A	ADAPT 418014-4WCA	1.000 EA
418018074A	GROUND LABEL G100 METRIC 160 D.C.	1.000 EA
418057256C	HHCS M10 25MM 440 IEC	1.000 EA

Product Information Packet: IDDRPM362506R1 - 250HP,1170/1810RPM,460V,3PH,DPGFV,RL3698

422919107	HHCVR KIT,C360,DE, LOUVERED	1.000 EA
422919107	HHCVR KIT,C360,DE, LOUVERED	1.000 EA
422919111	HHCVR KIT,C360,DE,SOLID,X/T	1.000 EA
422919111	HHCVR KIT,C360,DE,SOLID,X/T	1.000 EA
422919419	HHCVR KIT,RL360,ODE/DE,C/BOX MTG	1.000 EA
610490001BW	3//2.5HP,3450//2850RPM,3PH,60//50HZ,145T	1.000 EA
611917002K	GASKT	1.000 EA
611965001E	BLOWER WHEEL	1.000 EA
613439050A	ADAPT,C/BOX,FL360	1.000 EA
706305301A	GUARD, SHAFT	1.000 EA
706310058B	CBCVR(REK P/N 187296)	1.000 EA
706310389B	ENTRY PLATE 706310389AB	1.000 EA
706310063B	CBOX (REK)	1.000 EA
706313062D	BLHSG BE MTG C400	1.000 EA
000640000P	TAG WINDING THERMOST	1.000 EA
004824007K	SPECIAL PAINT	0.300 EA
034180034JA	3/4X3/4 X 41/4 L KEY	1.000 EA
418018116	WARNING PLATE	1.000 EA

REL S.O.	-	VOLTS	460	ENCLOSURE	DPFV	WYE	CONN EQ	CKT OHMS	PER PHASE
FRAME	RL3698	AMPS	298	MAX SAFE RPM	3750	(AT BASE RATING, 25 °C)			
HP	250	DUTY	CONT	IM (AMPS)	98	R1	.0191	X1	.122
BASE SPEED	1170	S.F.	1.0	P.F. @NL/FL	.041/.866	R2	.0142	X2	.106
PHASE/HERTZ	3/40	AMB °C/INSUL	40/H	WK <sup>2</sup> (lb-ft <sup>2</sup> )	35.4			XM	2.82


**RATED FULL LOAD DATA**

	RPM	HP	TORQUE LB-FT	FUND VOLTS	FREQ-HZ	AMPS
BASE SPEED	1171	250	1121	460	40	299
MAX SPEED	2002	250	656	460	68.6	301
MIN SPEED	0	0	1121	18.3	.968	299

**LOAD PERFORMANCE AT BASE SPEED**

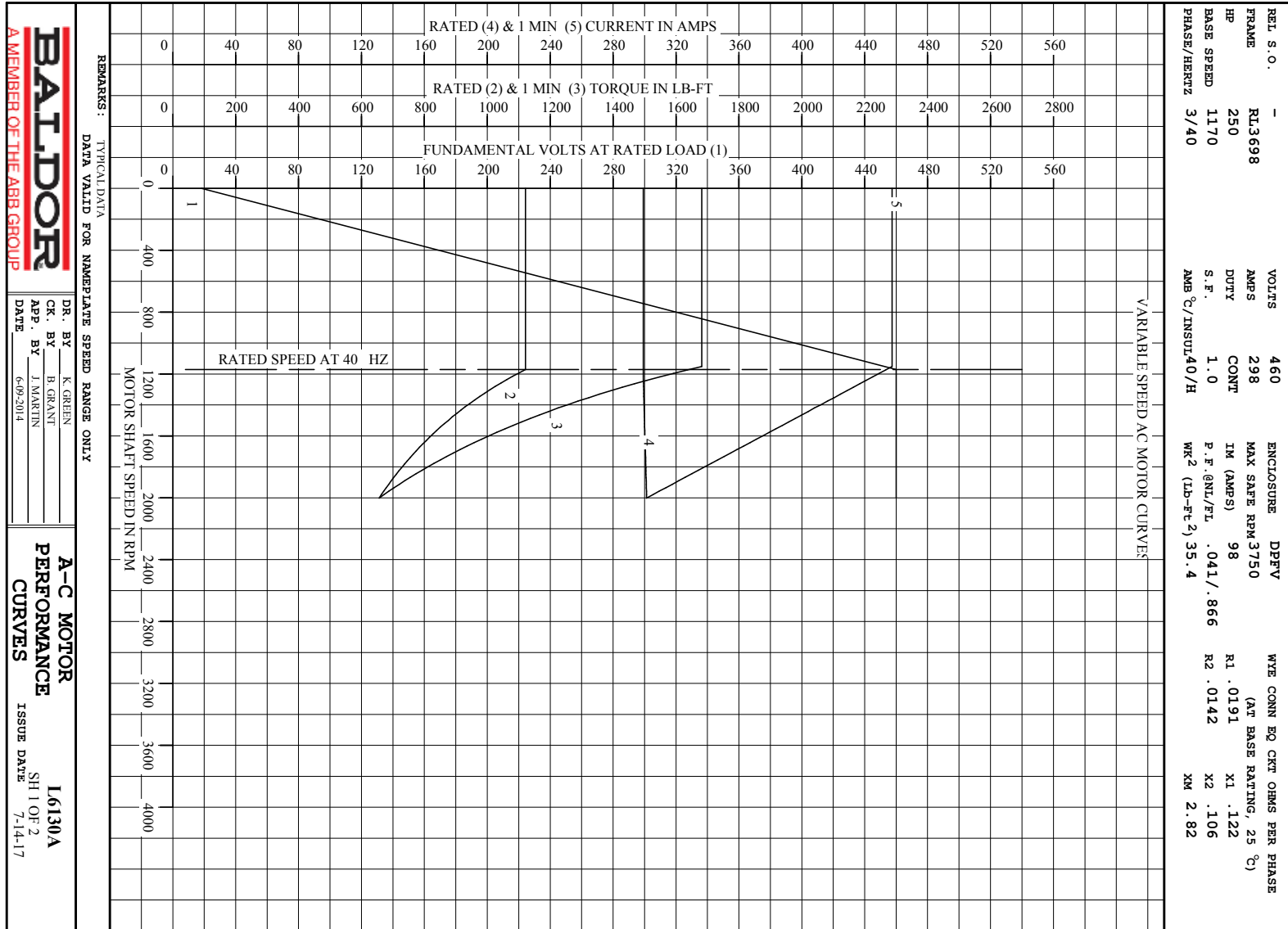
	RPM	HP	TORQUE LB-FT	FUND VOLTS	FREQ-HZ	AMPS
NO LOAD	1200	0	0	460	40	95.5
1/4	1194	62.5	275	460	40	119
1/2	1187	125	554	460	40	168
3/4	1179	187	835	460	40	229
FULL LOAD	1171	250	1121	460	40	299
O/L	1151	369	1682	460	40	457

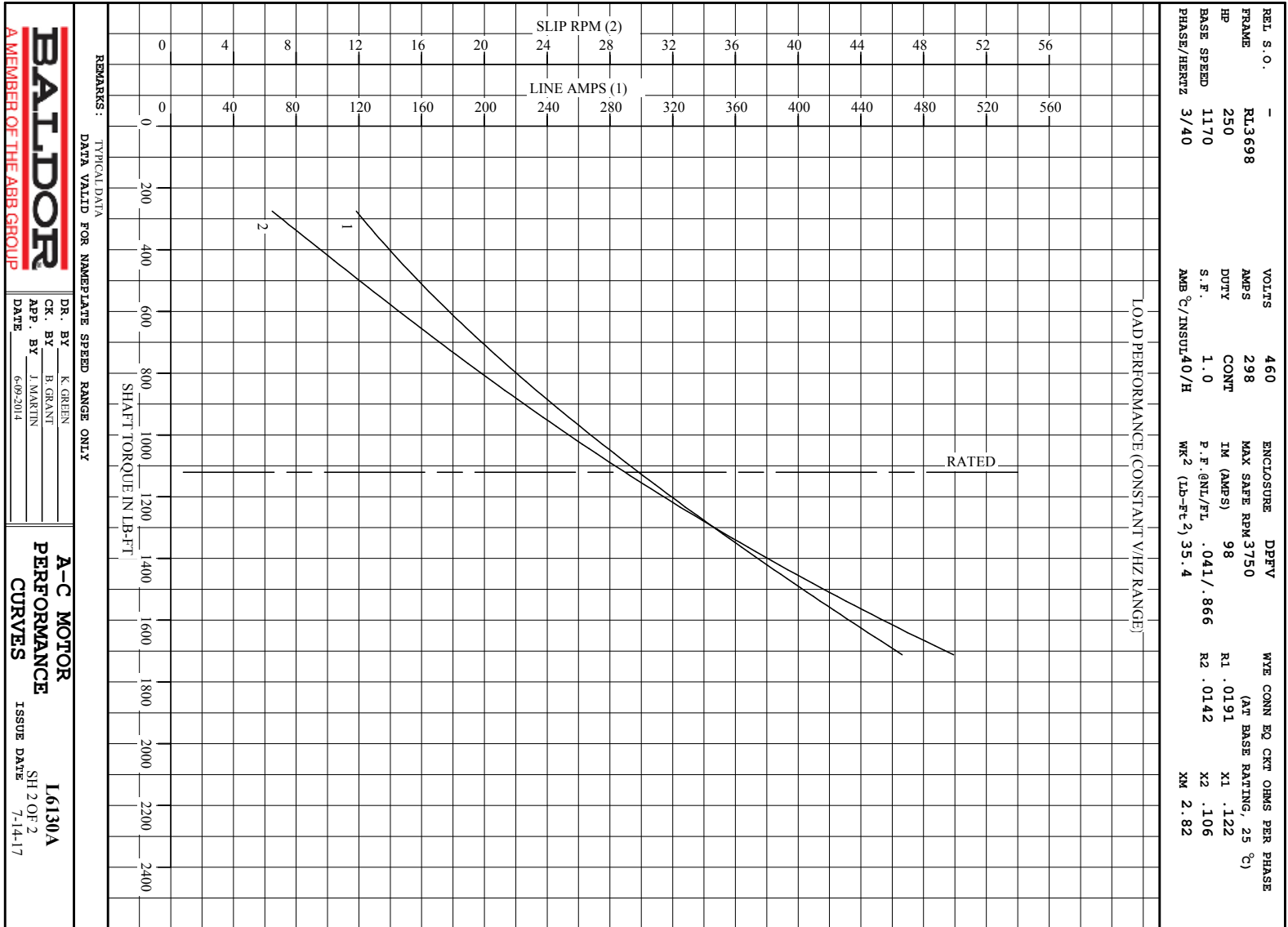
REMARKS: TYPICAL DATA

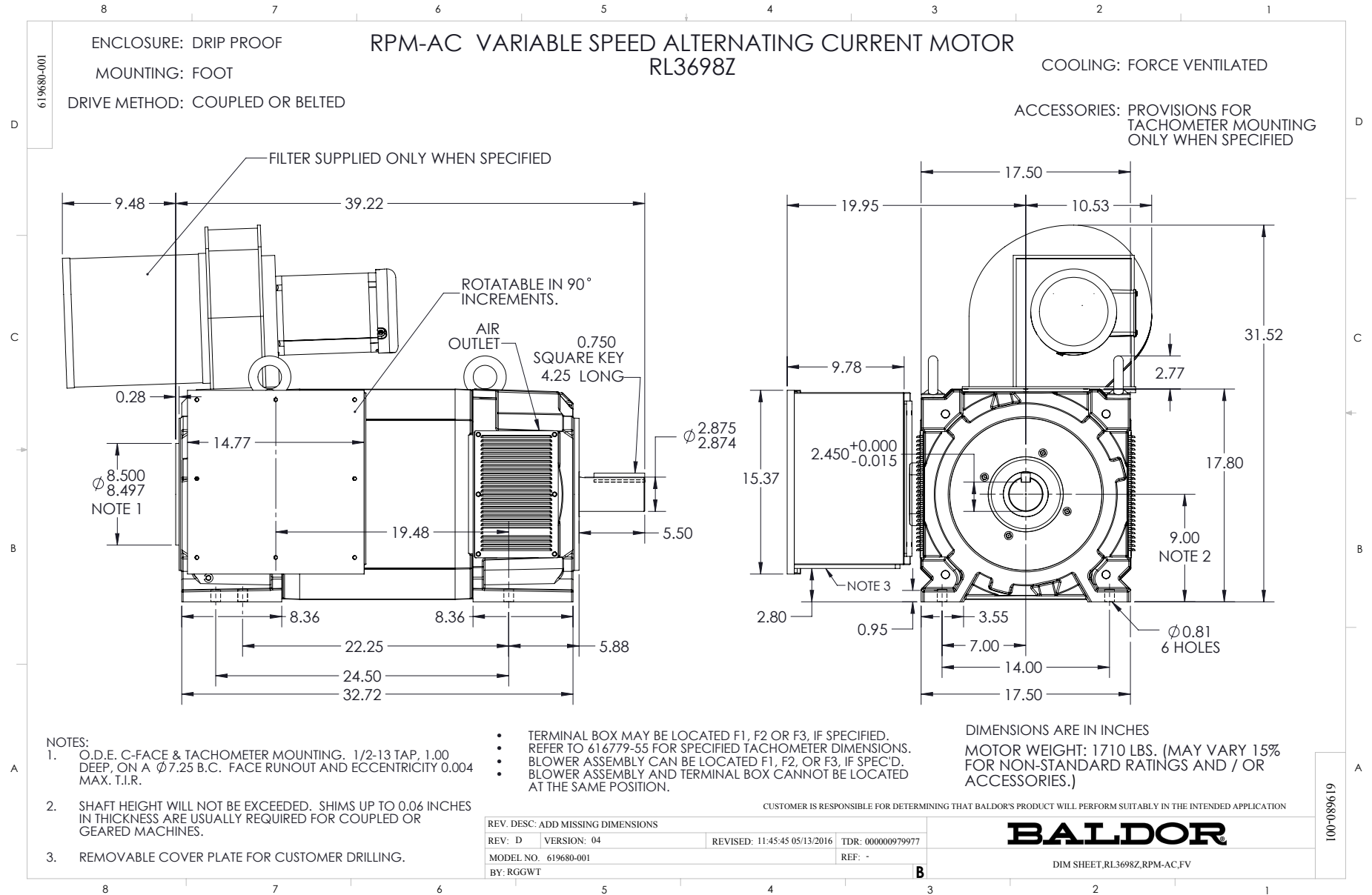
 <p><b>A MEMBER OF THE ABB GROUP</b></p>	DR. BY	K. GREEN	<p><b>A-C MOTOR</b></p> <p><b>PERFORMANCE</b></p> <p><b>DATA</b></p>
	CR. BY	B. GRANT	
	APP. BY	J. MARTIN	
	DATE	6-09-2014	

**A-C MOTOR**  
**PERFORMANCE**  
**DATA**  
L6130A  
ISSUE DATE 7-14-17

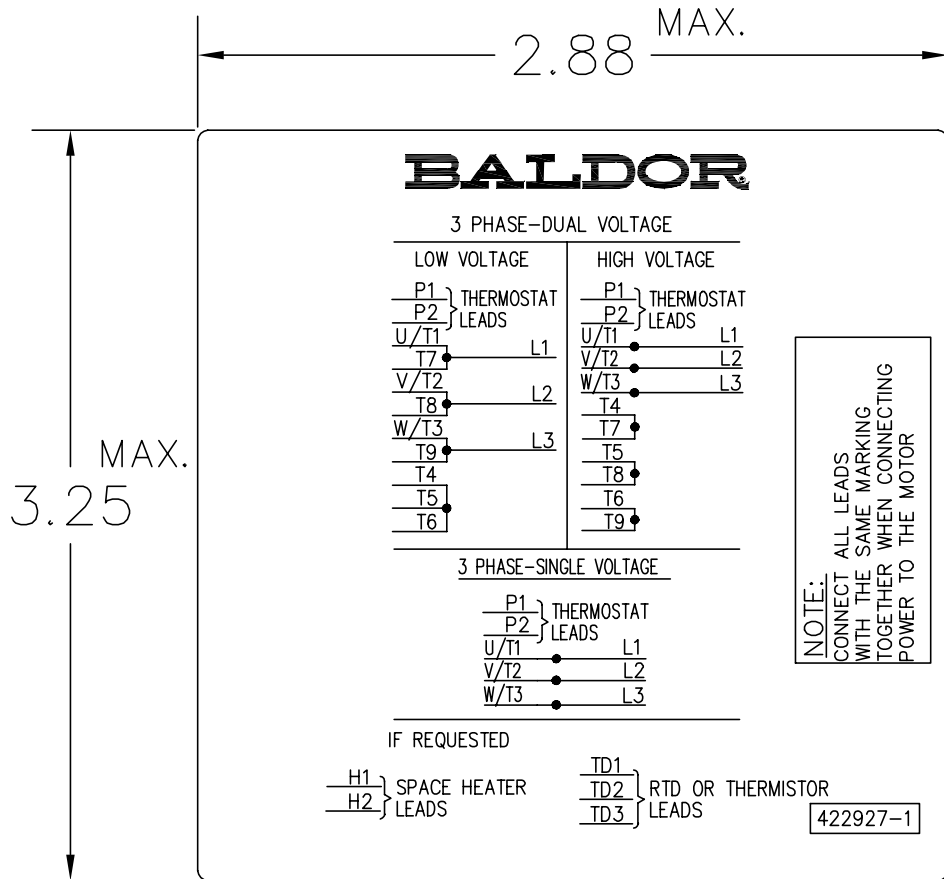








422927-001



NOTE:  
DATA TO BE SIZED  
SO THAT IT FITS INTO  
MATERIAL DECAL  
DIMENSIONS. MAKE  
LETTERS & NUMBERS  
AS LARGE AS POSSIBLE.

MATERIAL: CERAMATIC DGF-P4  
PERMA GRIP ADHESIVE

ALL LETTERS, NUMBERS  
AND LINES TO BE BLACK  
ON WHITE BACKGROUND.

422927-001

REV. DESC: CHANGE BACKGROUND COLOR FROM GOLD TO WHITE		
REV. LTR: B	VERSION: 02	TDR: 000000788708
FILE: \RGG\00000\203	REVISED: 08:09:29 03/04/2013	
MTL: -	BY: RGGWT	

**BALDOR**

EXTERNAL CONNECTION LABEL

SH 1 of 1

Marketing maintained PDF of MN406:

<http://www.baldor.com/support/Literature/Load.ashx/MN406?ManNumber=MN406>