

BALDOR® • RELIANCE 

Product Information Packet

IDM3581T-5

1HP,1760RPM,3PH,60HZ,143TC,0519M,TEBC,F1

Part Detail							
Revision:	G	Status:	PRD/A	Change #:		Proprietary:	No
Type:	AC	Elec. Spec:	05WGX127	CD Diagram:	CD0006	Mfg Plant:	
Mech. Spec:	05E535	Layout:	05LYE535	Poles:	04	Created Date:	08-24-2010
Base:	RG	Eff. Date:	02-02-2017	Leads:	3#18		

Specs			
Catalog Number:	IDM3581T-5	KVA Code:	L
Enclosure:	TEBC	Lifting Lugs:	No Lifting Lugs
Frame:	143TC	Locked Bearing Indicator:	Locked Bearing
Frame Material:	Iron	Motor Lead Quantity/Wire Size:	3 @ 18 AWG
Output @ Frequency:	1.000 HP @ 60 HZ	Motor Lead Exit:	Ko Box
Synchronous Speed @ Frequency:	1800 RPM @ 60 HZ	Motor Lead Termination:	Flying Leads
Voltage @ Frequency:	575.0 V @ 60 HZ	Motor Type:	0518M
XP Class and Group:	None	Mounting Arrangement:	F1
XP Division:	Not Applicable	Power Factor:	71
Agency Approvals:	UR	Product Family:	General Purpose
	CSA	Pulley End Bearing Type:	Ball
Auxillary Box:	No Auxillary Box	Pulley Face Code:	C-Face
Auxillary Box Lead Termination:	None	Pulley Shaft Indicator:	Standard
Base Indicator:	Rigid	Rodent Screen:	None
Bearing Grease Type:	Polyrex EM (-20F +300F)	RoHS Status:	ROHS COMPLIANT
Blower:	115V 1-Phase EXT	Shaft Extension Location:	Pulley End
Current @ Voltage:	1.200 A @ 575.0 V	Shaft Ground Indicator:	No Shaft Grounding
Design Code:	B	Shaft Rotation:	Reversible

Drip Cover:	No Drip Cover	Shaft Slinger Indicator:	Shaft Slinger
Duty Rating:	CONT	Speed Code:	Single Speed
Electrically Isolated Bearing:	Not Electrically Isolated	Motor Standards:	NEMA
Feedback Device:	NO FEEDBACK	Starting Method:	Direct on line
Front Face Code:	Encoder/Feedback Device	Thermal Device - Bearing:	None
Front Shaft Indicator:	None	Thermal Device - Winding:	Normally Closed Thermostat
Heater Indicator:	No Heater	Vibration Sensor Indicator:	No Vibration Sensor
Insulation Class:	H	Winding Thermal 1:	None
Inverter Code:	Inverter Duty	Winding Thermal 2:	None

Nameplate NP1162L	
CAT NO	IDM3581T-5
SPEC.	05E535X127G1
FRAME	143TC HP 1 TE
VOLTS	575
MAG CUR	.8 FLA 1.2
RPM	1760 RPM MAX 6000
HZ	60 PH 3 CLASS H
SER.F.	1.00 DES B SL HZ 1.33
NEMA-NOM-EFF	85.5 WK2 0.11
BLWR V	PH HZ A
RATING	40C AMB-CONT
DE BRG	6205 ODE BRG 6203
CC	010A SN

Parts List		
Part Number	Description	Quantity
SA201951	SA 05E535X127G1	1.000 EA
RA189242	RA 05E535X127G1	1.000 EA
06CB3000	BALDOR CONDUIT BOX CAST	1.000 EA
06GS1000	GASKET,CONDUIT BOX	1.000 EA
51XW2520A12	SCREW, HEX SER SLT HD, ZN, 1/4-20 X .75	2.000 EA
51XW2520A12	.25-20 X .75, TAPTITE II, HEX WSHR SLTD	2.000 EA
11XW1032G06	10-32 X .38, TAPTITE II, HEX WSHR SLTD U	1.000 EA
HW3001B01	BRASS CUP WASHER, FOR #10 SCREW	1.000 EA
35EP1100B21	FRONT TEBC 203 BRG W/ GREASER & THRU-SHA	1.000 EA
HW4500A01	1641B(ALEMITE)400 UNIV, GREASE FITT	1.000 EA
HW5100A03	WAVY WASHER (W1543-017)	1.000 EA
35EP1329A01	PU EP ENCL 143-5TC 205 BRG W/GRSR & STD	1.000 EA
HW4500A01	1641B(ALEMITE)400 UNIV, GREASE FITT	1.000 EA
51XN1032A20	10-32 X 1 1/4 HX WS SL SR	2.000 EA
HA3100A28	THRUBOLT 10-32 X 8.187	4.000 EA
10XN2520A08	1/4-20X1/2 HEX HEAD CAP	1.000 EA
HA3218A04	MALE-FEMALE STANDOFF .25-.20 .38 HEX	3.000 EA
10XN2520A04	1/4-20 X 1/4 HEX HD MACH SCREW	3.000 EA
HW1003A25	WASHER, 1/4 EX TH LK, ZN X	3.000 EA
06CB3500	BALDOR CONDUIT BOX LID	1.000 EA
06GS1001	BALDOR CONDUIT BOX GASKET	1.000 EA
HA1005A05SP	SLINGER, OD 1.50, ID .659, 203 BRG	1.000 EA
HW2501D13	KEY, 3/16 SQ X 1.375	1.000 EA
HA7000A01	KEY RETAINER 7/8" DIA SHAFT	1.000 EA

Parts List (continued)		
Part Number	Description	Quantity
MJ5004A05	#242-21 LOCTITE GENERAL PURPOSE MED. STR	0.005 EA
85XU0407S04	4X1/4 U DRIVE PIN STAINLESS	2.000 EA
LB1009N	LABEL,ROTATION DIRECTION (ON ROLLS)	1.000 EA
MJ1000A02	GREASE, POLYREX EM EXXON (USe 4824-15A)	0.050 LB
05FH5001A03	BLOWER KIT,05FH4002,EF0008,35CB3002	1.000 EA
MG1000G27	MED CHARCOAL METALLIC GREY 400-0096	0.022 GA
LC0035B01	1PH, SV, FIX, 2 LEAD	1.000 EA
LB1119N	WARNING LABEL	1.000 EA
LC0006	CONNECTION LABEL	1.000 EA
NP1162L	SS INV UL CSA CC	1.000 EA
G7PA1000	PKG GRP, PRINT PK1034A06	1.000 EA
MN416A01	TAG-INSTAL-MAINT no wire (1200/bx) 5/18	1.000 EA

AC Induction Motor Performance Data

Page 1 of 1



AC Induction Motor Performance Data

Record # 36473

Typical performance - not guaranteed values

Winding: 05WGX127	Type: 0519M	Enclosure: TEBC
--------------------------	--------------------	------------------------

Nameplate Data			General Characteristics at 575 V, 60 Hz: Single Volt Motor		
Rated Output (HP)	1		Full Load Torque	2.97 LB-FT	
Volts	575		Start Configuration	DOL	
Full Load Amps	1.2		Break Down Torque	12.5 LB-FT	
R.P.M.	1760		Pull-Up Torque	6.13 LB-FT	
Hz	60	Phase	Locked-rotor Torque	8.45 LB-FT	
NEMA Design Code	B	KVA Code	Starting Current	9.66 Amps	
Service Factor	1		No-load Current	0.8 Amps	
NEMA Nom. Eff.	85.5	P.F.	Line-line Res. @ 25°C.	25.7 Ohms	
Rating - Duty	40C AMB-CONT		Temp. Rise @ Rated Load	36°C	
S.F. Amps			Temp. Rise @ S.F. Load		

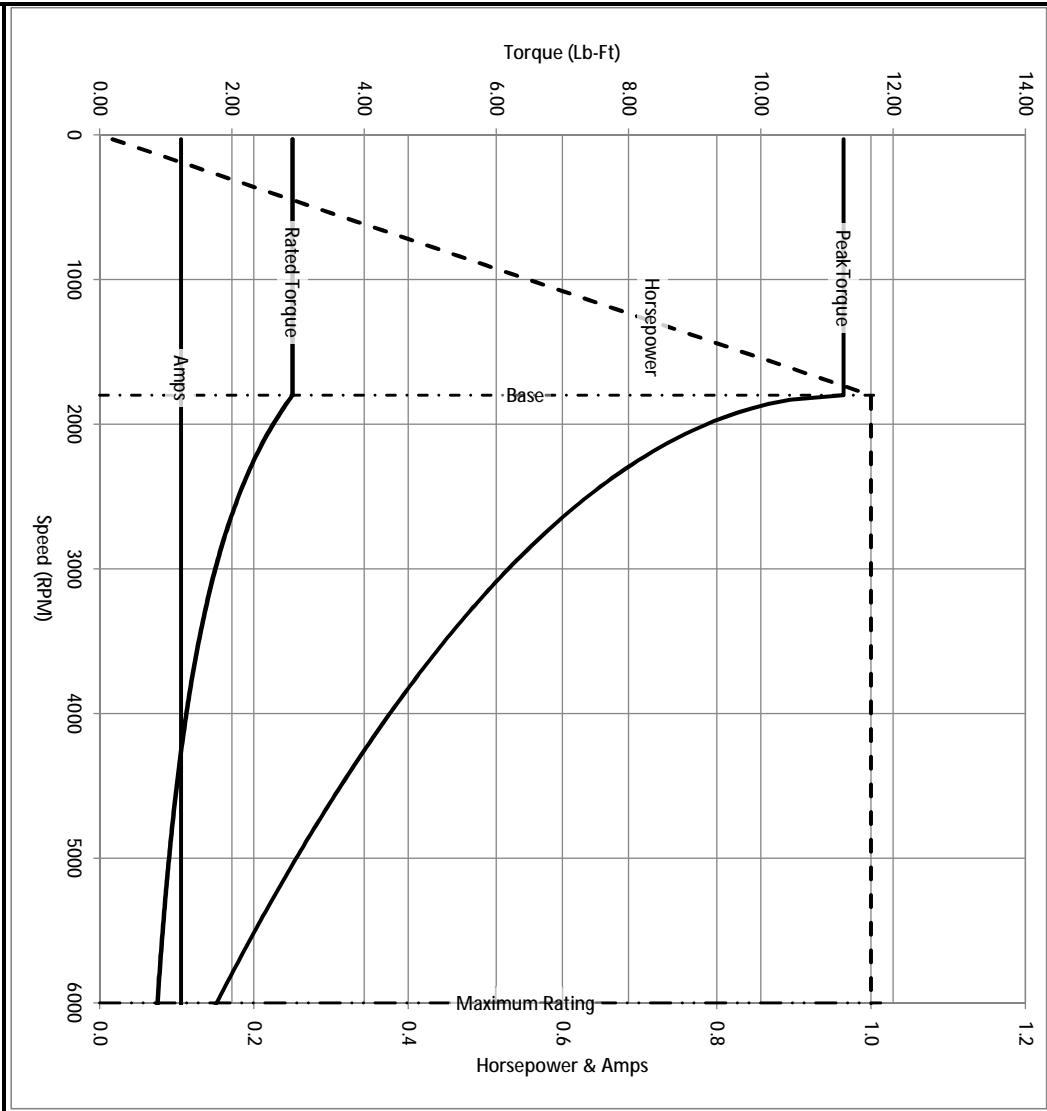
Load Characteristics at 575 Volts, 60 Hz, 1 HP

% of Rated Load	25	50	75	100	125	150	S.F.
Power Factor	30	49	62	71	77	80	
Efficiency	72	81.9	84.8	85.7	85.3	84.4	
Speed	1791	1781	1772	1761	1749	1736	
Line Amperes	0.839	0.919	1.06	1.23	1.43	1.66	

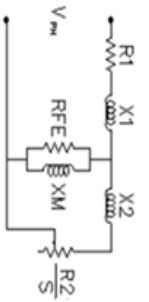
Baldor Electric Company Fort Smith, Arkansas



Catalog	IDM3581T-5	NIP VOLTS	575	ENCLOSURE	TEBC	WYE CONNECTION OHMS PER PHASE (BASE RATING, 200°)			
FRAME	143TC	NIP AMPS	1.2	Base Volts	575	R1	12.600	X1	19.699
HP	1 HP	DUTY	Cont	Base AMPS	1.23	R2	6.500	X2	15.505
BASE SPEED	1800	MAX SAFE RPM	6000	Slip Hz	1.30			XMI	407.130
PHASE/HZ	3/60	AMB ⁶ /C/INSUL	40/H	WK ² (lb-ft ²)	0.112				



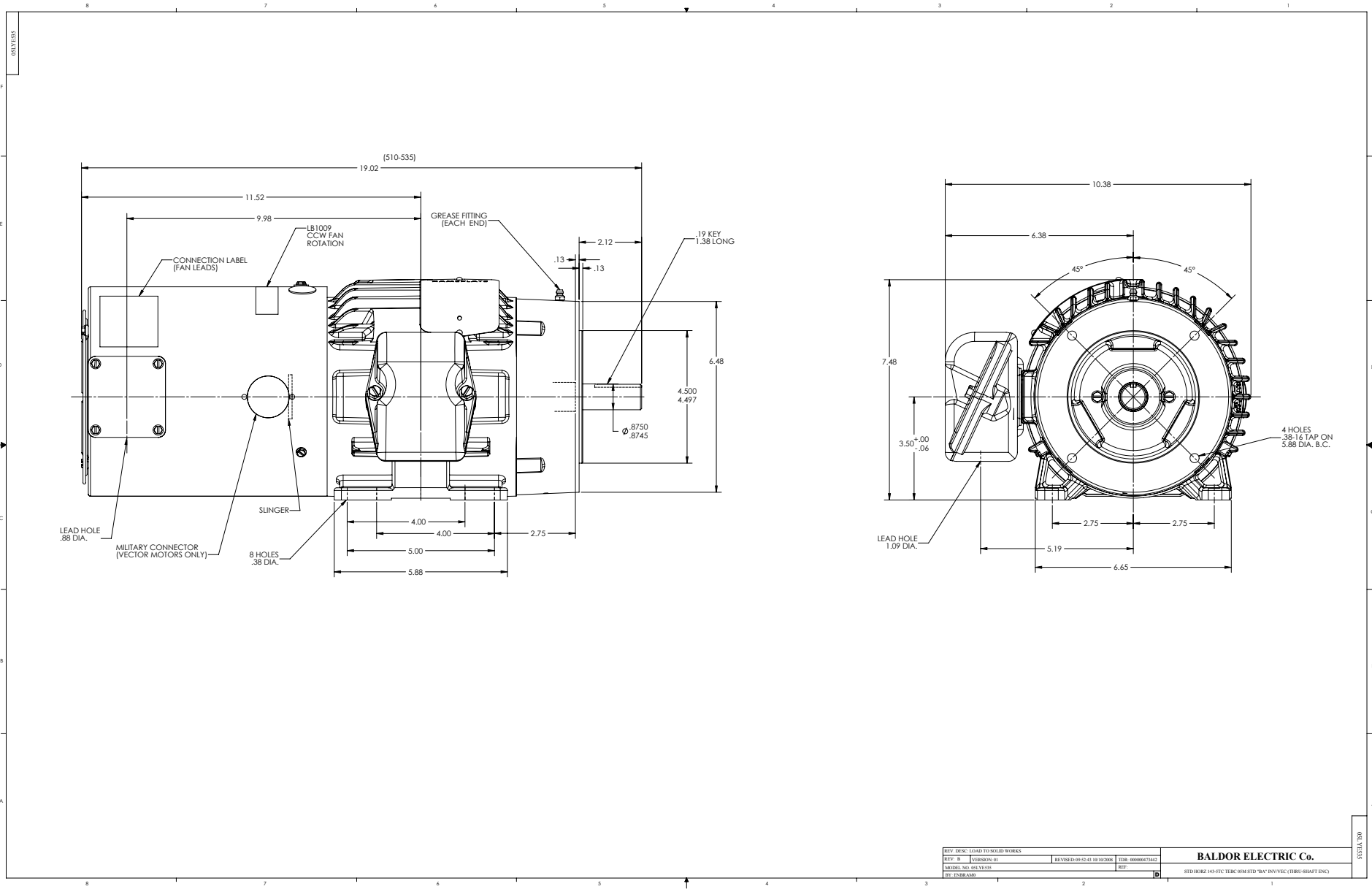
Remarks: Calculated Data



BALDOR DR BY ENR
 CK BY
 APP BY ENR
 DATE 2/26/2013

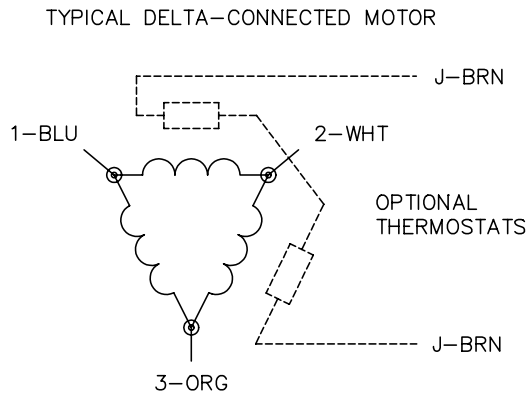
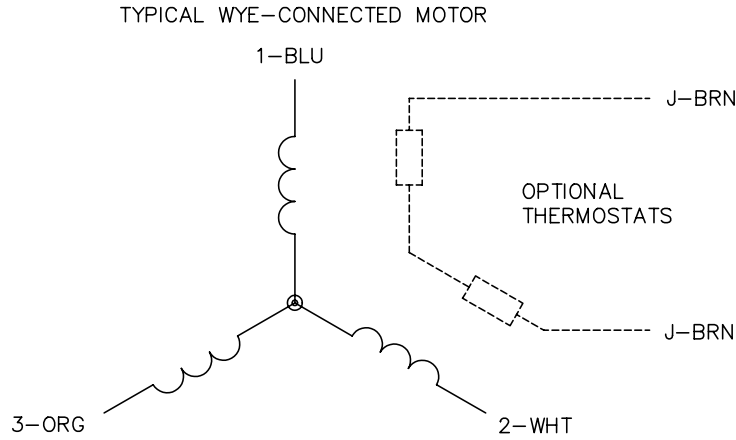
A MEMBER OF THE ABB GROUP

A-C MOTOR PERFORMANCE CURVES
 05E535X127G1
 ISSUE DATE 2/26/2013



REV. DESC. (ADD TO FILED WORKS)		REVISED 09/24/10 10/20/08		TDR: 0000007342		BALDOR ELECTRIC Co.	
REV. B	VERSION 01						
MODEL NO. 8515E35		REF.		STD 1002Z 143-TC TEBC 05M STD "B" IN/OUT (DRIUSHAFT ENC)			
BY: ENR/BAW							

CD0006



NOTES:

1. THREE LEAD MOTOR MAY BE EITHER WYE CONNECTED OR DELTA CONNECTED.
2. INTERCHANGE ANY TWO LINE LEADS TO REVERSE ROTATION.
3. OPTIONAL THERMOSTATS ARE PROVIDED WHEN SPECIFIED.
4. ACTUAL NUMBER OF INTERNAL PARALLEL CIRCUITS MAY VARY.
5. LEAD COLORS ARE OPTIONAL. LEADS MUST BE NUMBERED AS SHOWN.

REV. DESC: REVISE TO SHOW OPTIONAL COLORS			
REV. LTR: D	BY: JLP	REVISED: 01/21/99 4:02	TDR: 0171435
9000D		FILE: AAA00005141	MDL: -
		MTL: -	

BALDOR ELECTRIC Co.

3PH, SV, 3 LEADS, WYE OR DELTA CONNECTED

CD0006