

BALDOR® • RELIANCE 

Product Information Packet

IDM3665T-5

5HP, 1750RPM, 3PH, 60HZ, 184TC, 0640M, TEBC, F1

Part Detail							
Revision:	AA	Status:	PRD/A	Change #:		Proprietary:	No
Type:	AC	Elec. Spec:	06WGW357	CD Diagram:	CD0006	Mfg Plant:	
Mech. Spec:	06F552	Layout:	06LYF552	Poles:	04	Created Date:	
Base:	RG	Eff. Date:	05-05-2015	Leads:	3#16		

Specs			
Catalog Number:	IDM3665T-5	Inverter Code:	Inverter Duty
Enclosure:	TEBC	KVA Code:	J
Frame:	184TC	Lifting Lugs:	Standard Lifting Lugs
Frame Material:	Iron	Locked Bearing Indicator:	Locked Bearing
Output @ Frequency:	5.000 HP @ 60 HZ	Motor Lead Quantity/Wire Size:	3 @ 16 AWG
Synchronous Speed @ Frequency:	1800 RPM @ 60 HZ	Motor Lead Exit:	Ko Box
Voltage @ Frequency:	575.0 V @ 60 HZ	Motor Lead Termination:	Flying Leads
XP Class and Group:	None	Motor Type:	0640M
XP Division:	Not Applicable	Mounting Arrangement:	F1
Agency Approvals:	UR	Power Factor:	80
	CSA	Product Family:	General Purpose
Auxillary Box:	No Auxillary Box	Pulley End Bearing Type:	Ball
Auxillary Box Lead Termination:	None	Pulley Face Code:	C-Face
Base Indicator:	Rigid	Pulley Shaft Indicator:	Standard
Bearing Grease Type:	Polyrex EM (-20F +300F)	Rodent Screen:	None
Blower:	115V 1-Phase EXT	Shaft Extension Location:	Pulley End
Current @ Voltage:	5.200 A @ 575.0 V	Shaft Ground Indicator:	No Shaft Grounding
Design Code:	B	Shaft Rotation:	Reversible

Drip Cover:	No Drip Cover	Shaft Slinger Indicator:	No Slinger
Duty Rating:	CONT	Speed Code:	Single Speed
Electrically Isolated Bearing:	Not Electrically Isolated	Motor Standards:	NEMA
Feedback Device:	NO FEEDBACK	Starting Method:	Direct on line
Front Face Code:	Encoder/Feedback Device	Thermal Device - Bearing:	None
Front Shaft Indicator:	None	Thermal Device - Winding:	Normally Closed Thermostat
Heater Indicator:	No Heater	Vibration Sensor Indicator:	No Vibration Sensor
Insulation Class:	H	Winding Thermal 1:	None
		Winding Thermal 2:	None

Nameplate NP1162L										
CAT NO	IDM3665T-5									
SPEC.	06F552W357G1									
FRAME	184TC				HP	5		TE		
VOLTS	575									
MAG CUR	2.7				FLA	5.2				
RPM	1750				RPM MAX	6000				
HZ	60			PH	3		CLASS	H		
SER.F.	1.00			DES	B		SL HZ	1.7		
NEMA-NOM-EFF	90.2			WK2	0.37					
BLWR V	115		PH	1		HZ	60	A	.26	
RATING	40C AMB-CONT									
DE BRG	6206				ODE BRG	6205				
CC	010A			SN						

Parts List		
Part Number	Description	Quantity
SA056381	SA 06F552W357G1	1.000 EA
RA050937	RA 06F552W357G1	1.000 EA
HW3201A05	3/8-16 EYEBOLT	1.000 EA
06CB3000	BALDOR CONDUIT BOX CAST	1.000 EA
06GS1000	GASKET,CONDUIT BOX	1.000 EA
51XW2520A12	SCREW, HEX SER SLT HD, ZN, 1/4-20 X .75	2.000 EA
51XW2520A12	.25-20 X .75, TAPTITE II, HEX WSHR SLTD	2.000 EA
11XW1032G06	10-32 X .38, TAPTITE II, HEX WSHR SLTD U	1.000 EA
HW3001B01	BRASS CUP WASHER, FOR #10 SCREW	1.000 EA
36EP1101B41	FR TEBC 205 BRG W/ GR SR & THRU-SHAFT ENC	1.000 EA
HW4500A01	1641B(ALEMITE)400 UNIV, GREASE FITT	1.000 EA
HW5100A05	WVY WSHR F/205 & 304 BRGS	1.000 EA
36PE1300A01	PU ENDPLATE, MACH	1.000 EA
HW4500A01	1641B(ALEMITE)400 UNIV, GREASE FITT	1.000 EA
10XN2520A26	1/4-20X 1 5/8 HEX HD	4.000 EA
HW1001A25	LOCKWASHER 1/4, ZINC PLT .493 OD, .255 I	4.000 EA
HA3101A34	THRUBOLT- 1/4-20 X 10.375	4.000 EA
10XN2520A08	1/4-20X1/2 HEX HEAD CAP	1.000 EA
HA3218A05	M/FE STANDOFF UNIC#SX1043.25-20 .38 HEX	3.000 EA
10XN2520A06	1/4 20X3/8 HX HD CAP	3.000 EA
HW1001A25	LOCKWASHER 1/4, ZINC PLT .493 OD, .255 I	3.000 EA
06CB3500	BALDOR CONDUIT BOX LID	1.000 EA
06GS1001	BALDOR CONDUIT BOX GASKET	1.000 EA
HA1005A03SP	SLINGER, OD 1.750, ID .938, 205 BRG	1.000 EA

Parts List (continued)		
Part Number	Description	Quantity
HW2501E16	KEY, 1/4 SQ X 1.750	1.000 EA
HA7000A02	KEY RETAINER RING, 1 1/8 DIA, 1 3/8 DIA	1.000 EA
MJ5004A05	#242-21 LOCTITE GENERAL PURPOSE MED. STR	0.005 EA
85XU0407S04	4X1/4 U DRIVE PIN STAINLESS	2.000 EA
LB1115N	LABEL,LIFTING DEVICE (ON ROLLS)	1.000 EA
LB1009N	LABEL,ROTATION DIRECTION (ON ROLLS)	1.000 EA
MJ1000A02	GREASE, POLYREX EM EXXON (USe 4824-15A)	0.050 LB
06FH5001A02	BLOWER ASSY. 06FH4001, EF0001	1.000 EA
MG1000G27	MED CHARCOAL METALLIC GREY 400-0096	0.028 GA
LC0035B01	1PH, SV, FIX, 2 LEAD	1.000 EA
LB1119N	WARNING LABEL	1.000 EA
LC0006	CONNECTION LABEL	1.000 EA
NP1162L	SS INV UL CSA CC	1.000 EA
G0PA1000	PKG GRP, PRINT PK1026A06	1.000 EA
MN416A01	TAG-INSTAL-MAINT no wire (1200/bx) 5/18	1.000 EA

AC Induction Motor Performance Data

Page 1 of 1



AC Induction Motor Performance Data

Record # 20660

Typical performance - not guaranteed values

Winding: 06WGW357	Type: 0640M	Enclosure: TEBC
--------------------------	--------------------	------------------------

Nameplate Data			General Characteristics at 575 V, 60 Hz: Single Volt Motor		
Rated Output (HP)	5		Full Load Torque	15 LB-FT	
Volts	575		Start Configuration	DOL	
Full Load Amps	5.2		Break Down Torque	50 LB-FT	
R.P.M.	1750		Pull-Up Torque	30 LB-FT	
Hz	60	Phase	Locked-rotor Torque	32 LB-FT	
NEMA Design Code	B	KVA Code	Starting Current	38 Amps	
Service Factor	1.00		No-load Current	2.7 Amps	
NEMA Nom. Eff.	90.2	P.F.	Line-line Res. @ 25°C.	3.86 Ohms	
Rating - Duty	40C AMB-CONT		Temp. Rise @ Rated Load	47°C	
S.F. Amps			Temp. Rise @ S.F. Load		

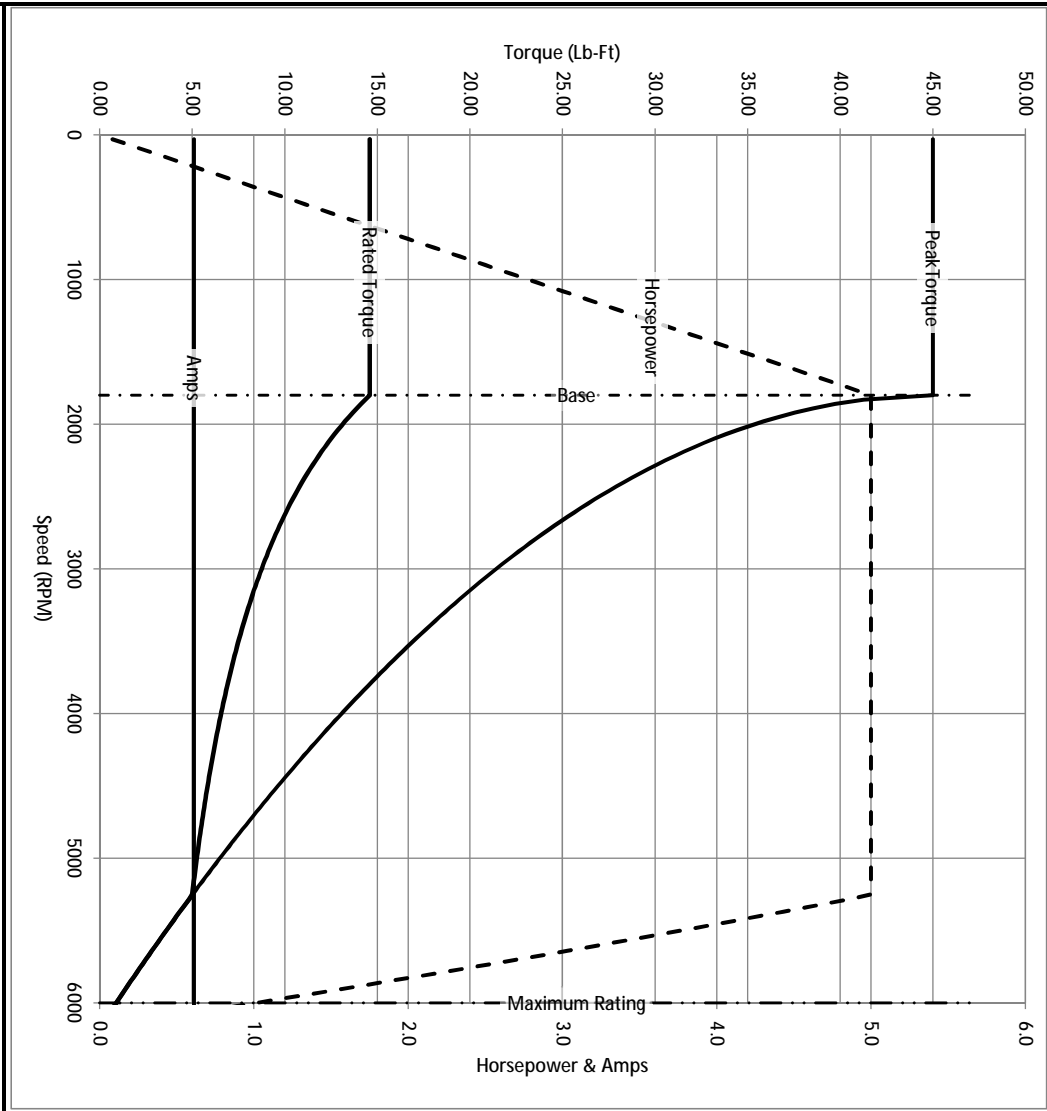
Load Characteristics at 575 Volts, 60 Hz, 5 HP

% of Rated Load	25	50	75	100	125	150	S.F.
Power Factor	39	61	75	82	86	88	
Efficiency	84.1	89.4	90.4	90.2	89.4	88.3	
Speed	1789	1778	1767	1755	1742	1729	
Line Amperes	2.9	3.4	4.2	5.1	5.8	7.2	

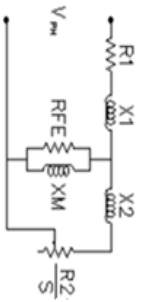
Baldor Electric Company Fort Smith, Arkansas



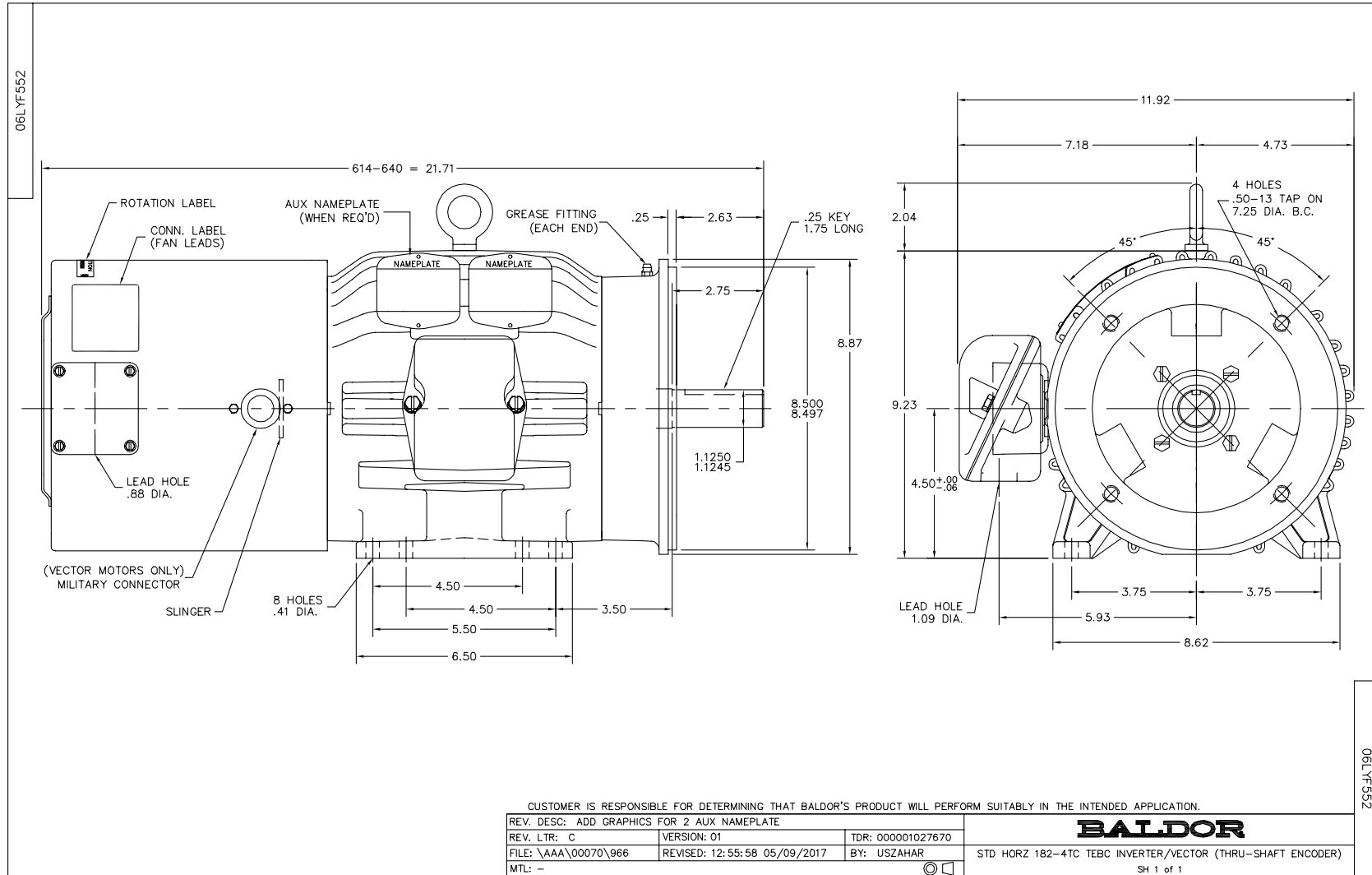
Catalog	IDM3665T-5	NIP VOLTS	575	ENCLOSURE	TEBC	WYE CONNECTION OHMS PER PHASE (BASE RATING, 200°)			
FRAME	184TC	NIP AMPS	5.2	Base Volts	575	R1	1.890	X1	4.353
HP	5 HP	DUTY	Cont	Base AMPS	5.1	R2	1.530	X2	3.402
BASE SPEED	1800	MAX SAFE RPM	6000	Slip Hz	1.50			XMI	122.943
PHASE/HZ	3/60	AMB ⁶ C/INSUL	40/H	WK ² (lb-ft ²)	0.372				



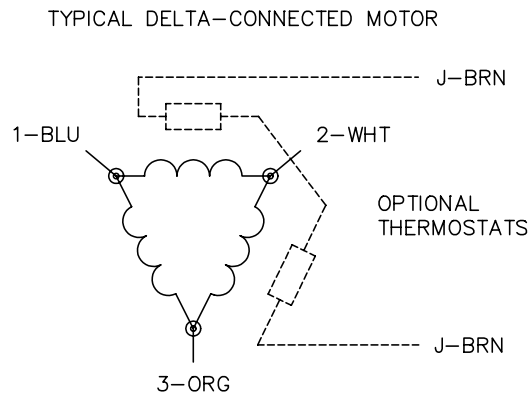
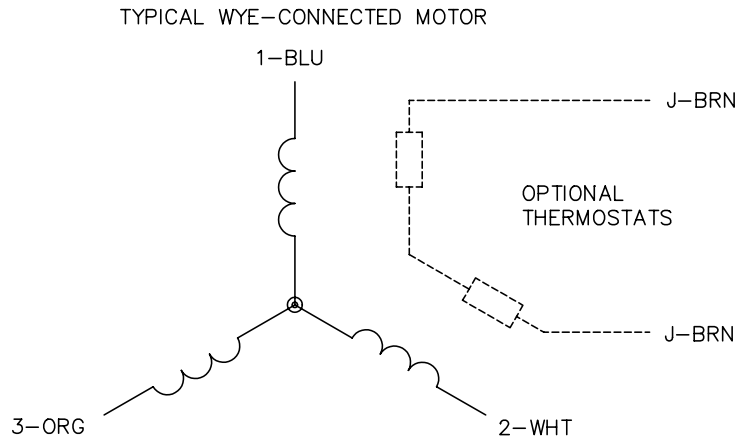
Remarks: Calculated Data



<p>A MEMBER OF THE ABB GROUP</p>	DR BY ENR CK BY APP BY DATE 2/26/2013	A-C MOTOR PERFORMANCE CURVES	06F552W357G1 ISSUE DATE 2/26/2013
----------------------------------	--	---------------------------------	--------------------------------------



CD0006



NOTES:

1. THREE LEAD MOTOR MAY BE EITHER WYE CONNECTED OR DELTA CONNECTED.
2. INTERCHANGE ANY TWO LINE LEADS TO REVERSE ROTATION.
3. OPTIONAL THERMOSTATS ARE PROVIDED WHEN SPECIFIED.
4. ACTUAL NUMBER OF INTERNAL PARALLEL CIRCUITS MAY VARY.
5. LEAD COLORS ARE OPTIONAL. LEADS MUST BE NUMBERED AS SHOWN.

REV. DESC: REVISE TO SHOW OPTIONAL COLORS			
REV. LTR: D	BY: JLP	REVISED: 01/21/99 4:02	TDR: 0171435
9000D		FILE: AAA00005141	MDL: -
		MTL: -	

BALDOR ELECTRIC Co.

3PH, SV, 3 LEADS, WYE OR DELTA CONNECTED

CD0006