

BALDOR® • RELIANCE 

Product Information Packet

IDM3665T

5HP, 1750RPM, 3PH, 60HZ, 184TC, 0640M, TEBC, F1

| Part Detail | | | | | | | |
|-------------|--------|-------------|------------|-------------|--------|---------------|----|
| Revision: | Y | Status: | PRD/A | Change #: | | Proprietary: | No |
| Type: | AC | Elec. Spec: | 06WGW352 | CD Diagram: | CD0005 | Mfg Plant: | |
| Mech. Spec: | 06F552 | Layout: | 06LYF552 | Poles: | 04 | Created Date: | |
| Base: | RG | Eff. Date: | 08-16-2018 | Leads: | 9#16 | | |

| Specs | | | |
|---------------------------------|-------------------------|--------------------------------|-----------------------|
| Catalog Number: | IDM3665T | Insulation Class: | H |
| Enclosure: | TEBC | Inverter Code: | Inverter Duty |
| Frame: | 184TC | KVA Code: | J |
| Frame Material: | Iron | Lifting Lugs: | Standard Lifting Lugs |
| Output @ Frequency: | 5.000 HP @ 60 HZ | Locked Bearing Indicator: | Locked Bearing |
| Synchronous Speed @ Frequency: | 1800 RPM @ 60 HZ | Motor Lead Quantity/Wire Size: | 9 @ 16 AWG |
| Voltage @ Frequency: | 230.0 V @ 60 HZ | Motor Lead Exit: | Ko Box |
| | 460.0 V @ 60 HZ | Motor Lead Termination: | Flying Leads |
| XP Class and Group: | None | Motor Type: | 0640M |
| XP Division: | Not Applicable | Mounting Arrangement: | F1 |
| Agency Approvals: | UR | Power Factor: | 80 |
| | CSA | Product Family: | General Purpose |
| Auxillary Box: | No Auxillary Box | Pulley End Bearing Type: | Ball |
| Auxillary Box Lead Termination: | None | Pulley Face Code: | C-Face |
| Base Indicator: | Rigid | Pulley Shaft Indicator: | Standard |
| Bearing Grease Type: | Polyrex EM (-20F +300F) | Rodent Screen: | None |
| Blower: | 115V 1-Phase EXT | Shaft Extension Location: | Pulley End |
| Current @ Voltage: | 13.000 A @ 230.0 V | Shaft Ground Indicator: | No Shaft Grounding |

| | | | |
|---------------------------------------|---------------------------|------------------------------------|----------------------------|
| | 6.500 A @ 460.0 V | Shaft Rotation: | Reversible |
| Design Code: | B | Shaft Slinger Indicator: | No Slinger |
| Drip Cover: | No Drip Cover | Speed Code: | Single Speed |
| Duty Rating: | CONT | Motor Standards: | NEMA |
| Electrically Isolated Bearing: | Not Electrically Isolated | Starting Method: | Direct on line |
| Feedback Device: | NO FEEDBACK | Thermal Device - Bearing: | None |
| Front Face Code: | Encoder/Feedback Device | Thermal Device - Winding: | Normally Closed Thermostat |
| Front Shaft Indicator: | None | Vibration Sensor Indicator: | No Vibration Sensor |
| Heater Indicator: | No Heater | Winding Thermal 1: | None |
| | | Winding Thermal 2: | None |

| Nameplate NP1162L | |
|-------------------|----------------------|
| CAT NO | IDM3665T |
| SPEC. | 06F552W352G1 |
| FRAME | 184TC HP 5 TE |
| VOLTS | 230/460 |
| MAG CUR | 6.8/3.4 FLA 13/6.5 |
| RPM | 1750 RPM MAX 6000 |
| HZ | 60 PH 3 CLASS H |
| SER.F. | 1.00 DES B SL HZ 1.7 |
| NEMA-NOM-EFF | 90.2 WK2 0.37 |
| BLWR V | 115 PH 1 HZ 60 A .26 |
| RATING | 40C AMB-CONT |
| DE BRG | 6206 ODE BRG 6205 |
| CC | 010A SN |

| Parts List | | |
|-------------|---|----------|
| Part Number | Description | Quantity |
| SA056377 | SA 06F552W352G1 | 1.000 EA |
| RA050933 | RA 06F552W352G1 | 1.000 EA |
| HW3201A05 | 3/8-16 EYEBOLT | 1.000 EA |
| 06CB3000 | BALDOR CONDUIT BOX CAST | 1.000 EA |
| 06GS1000 | GASKET,CONDUIT BOX | 1.000 EA |
| 51XW2520A12 | SCREW, HEX SER SLT HD, ZN, 1/4-20 X .75 | 2.000 EA |
| 51XW2520A12 | .25-20 X .75, TAPTITE II, HEX WSHR SLTD | 2.000 EA |
| 11XW1032G06 | 10-32 X .38, TAPTITE II, HEX WSHR SLTD U | 1.000 EA |
| HW3001B01 | BRASS CUP WASHER, FOR #10 SCREW | 1.000 EA |
| 36EP1101B41 | FR TEBC 205 BRG W/ GR SR & THRU-SHAFT ENC | 1.000 EA |
| HW4500A01 | 1641B(ALEMITE)400 UNIV, GREASE FITT | 1.000 EA |
| HW5100A05 | WVY WSHR F/205 & 304 BRGS | 1.000 EA |
| 36PE1300A01 | PU ENDPLATE, MACH | 1.000 EA |
| HW4500A01 | 1641B(ALEMITE)400 UNIV, GREASE FITT | 1.000 EA |
| 10XN2520A26 | 1/4-20X 1 5/8 HEX HD | 4.000 EA |
| HW1001A25 | LOCKWASHER 1/4, ZINC PLT .493 OD, .255 I | 4.000 EA |
| HA3101A34 | THRUBOLT- 1/4-20 X 10.375 | 4.000 EA |
| 10XN2520A08 | 1/4-20X1/2 HEX HEAD CAP | 1.000 EA |
| HA3218A05 | M/FE STANDOFF UNIC#SX1043.25-20 .38 HEX | 3.000 EA |
| 10XN2520A06 | 1/4 20X3/8 HX HD CAP | 3.000 EA |
| HW1001A25 | LOCKWASHER 1/4, ZINC PLT .493 OD, .255 I | 3.000 EA |
| 06CB3500 | BALDOR CONDUIT BOX LID | 1.000 EA |
| 06GS1001 | BALDOR CONDUIT BOX GASKET | 1.000 EA |
| HA1005A03SP | SLINGER, OD 1.750, ID .938, 205 BRG | 1.000 EA |

| Parts List (continued) | | |
|-------------------------------|--|-----------------|
| Part Number | Description | Quantity |
| HW2501E16 | KEY, 1/4 SQ X 1.750 | 1.000 EA |
| HA7000A02 | KEY RETAINER RING, 1 1/8 DIA, 1 3/8 DIA | 1.000 EA |
| MJ5004A05 | #242-21 LOCTITE GENERAL PURPOSE MED. STR | 0.005 EA |
| 85XU0407S04 | 4X1/4 U DRIVE PIN STAINLESS | 2.000 EA |
| LB1115N | LABEL,LIFTING DEVICE (ON ROLLS) | 1.000 EA |
| LB1009N | LABEL,ROTATION DIRECTION (ON ROLLS) | 1.000 EA |
| MJ1000A02 | GREASE, POLYREX EM EXXON (USe 4824-15A) | 0.050 LB |
| 06FH5001A02 | BLOWER ASSY. 06FH4001, EF0001 | 1.000 EA |
| MG1000G27 | MED CHARCOAL METALLIC GREY 400-0096 | 0.028 GA |
| LC0035B01 | 1PH, SV, FIX, 2 LEAD | 1.000 EA |
| LC0145B01 | CONNECTION LABEL | 1.000 EA |
| LB1119N | WARNING LABEL | 1.000 EA |
| NP1162L | SS INV UL CSA CC | 1.000 EA |
| G0PA1000 | PKG GRP, PRINT PK1026A06 | 1.000 EA |
| MN416A01 | TAG-INSTAL-MAINT no wire (1200/bx) 5/18 | 1.000 EA |



AC Induction Motor Performance Data

Record # 20655

Typical performance - not guaranteed values

| | | |
|--------------------------|--------------------|------------------------|
| Winding: 06WGW352 | Type: 0640M | Enclosure: TEFC |
|--------------------------|--------------------|------------------------|

| Nameplate Data | | | General Characteristics at 460 V, 60 Hz: High Volt Connection | | |
|-------------------|--------------|----------|--|------------------------|-----------|
| Rated Output (HP) | 5 | | Full Load Torque | 15 LB-FT | |
| Volts | 230/460 | | Start Configuration | DOL | |
| Full Load Amps | 13/6.5 | | Break Down Torque | 50 LB-FT | |
| R.P.M. | 1750 | | Pull-Up Torque | 30 LB-FT | |
| Hz | 60 | Phase | 3 | Locked-rotor Torque | 32 LB-FT |
| NEMA Design Code | B | KVA Code | J | Starting Current | 48 Amps |
| Service Factor | 1.00 | | No-load Current | 3.4 Amps | |
| NEMA Nom. Eff. | 90.2 | P.F. | 80 | Line-line Res. @ 25°C. | 2.61 Ohms |
| Rating - Duty | 40C AMB-CONT | | Temp. Rise @ Rated Load | 47°C | |
| S.F. Amps | | | Temp. Rise @ S.F. Load | | |

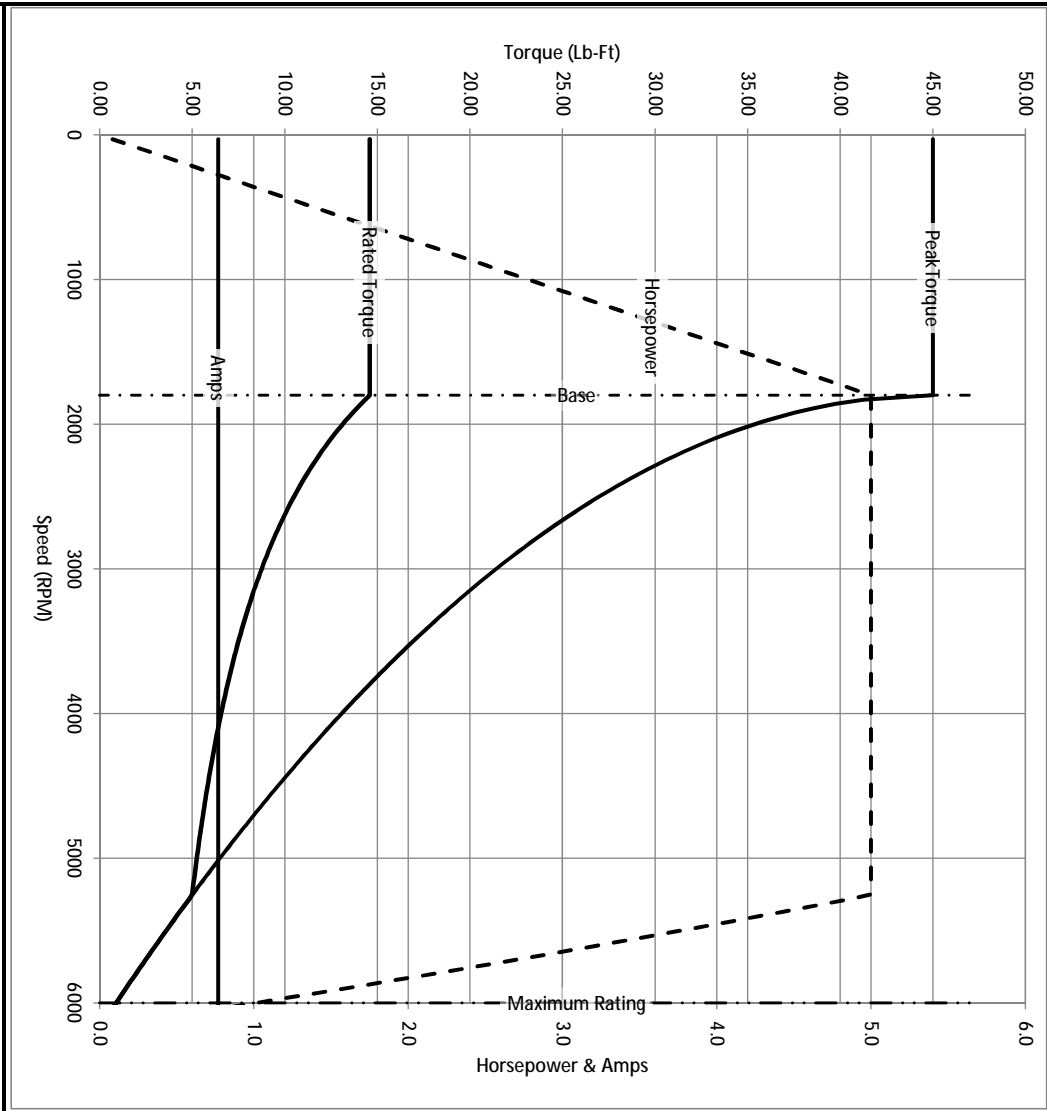
Load Characteristics at 460 Volts, 60 Hz, 5 HP

| | | | | | | | |
|-----------------|------|------|------|------|------|------|------|
| % of Rated Load | 25 | 50 | 75 | 100 | 125 | 150 | S.F. |
| Power Factor | 39 | 61 | 75 | 82 | 86 | 88 | |
| Efficiency | 84.1 | 89.4 | 90.4 | 90.2 | 89.4 | 88.3 | |
| Speed | 1789 | 1778 | 1767 | 1755 | 1742 | 1729 | |
| Line Amperes | 3.6 | 4.3 | 5.2 | 6.4 | 7.2 | 9 | |

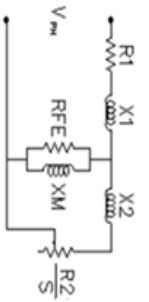
Baldor Electric Company Fort Smith, Arkansas



| | | | | | | | | | |
|------------|----------|---------------------------|---------|---------------------------------------|-------|--|-------|----|--------|
| Catalog | IDM3665T | NIP VOLTS | 230/460 | ENCLOSURE | TEBC | WYE CONNECT OHMS PER PHASE (BASE RATING, 200°) | | | |
| FRAME | 184TC | NIP AMPS | 13/6.5 | Base Volts | 460 | R1 | 1.200 | X1 | 2.786 |
| HP | 5 HP | DUTY | Cont | Base AMPS | 6.4 | R2 | 0.977 | X2 | 2.177 |
| BASE SPEED | 1800 | MAX SAFE RPM | 6000 | Slip Hz | 1.50 | XM1 | | | 78.683 |
| PHASE/HZ | 3/60 | AMB ⁶ /C/INSUL | 40/H | WK ² (lb-ft ²) | 0.372 | | | | |



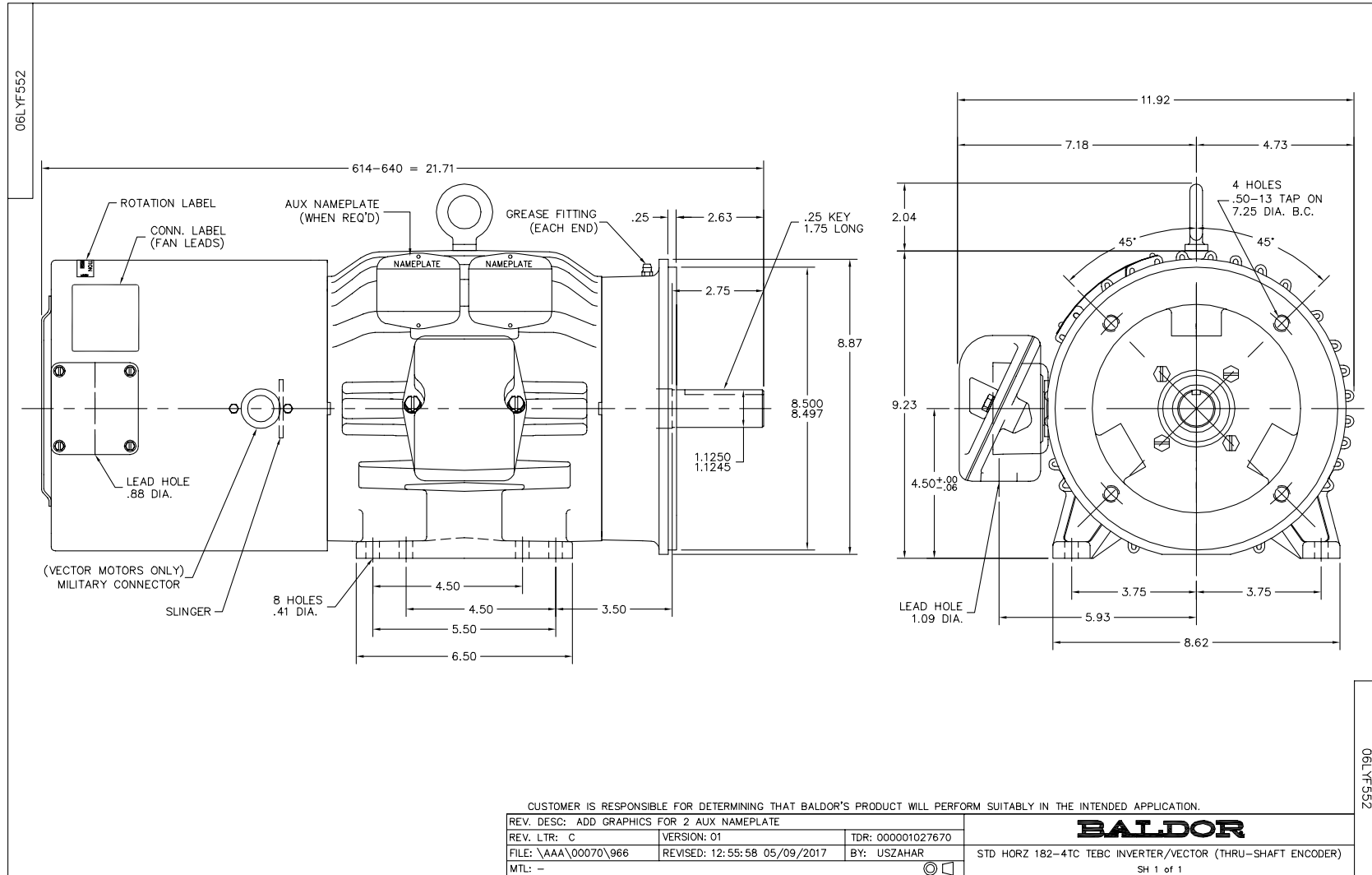
Remarks: Calculated Data



BALDOR DR BY ENR
 CK BY ENR
 APP BY ENR
 DATE 2/26/2013

06F552W352G1

A-C MOTOR PERFORMANCE CURVES
 A MEMBER OF THE ABB GROUP
 ISSUE DATE 2/26/2013



CD0005

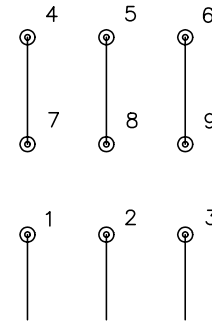


LOW VOLTAGE
(2Y)



LINE

HIGH VOLTAGE
(1Y)



LINE

NOTES:

1. INTERCHANGE ANY TWO LINE LEADS TO REVERSE ROTATION.
2. OPTIONAL THERMOSTATS ARE PROVIDED WHEN SPECIFIED.
3. ACTUAL NUMBER OF INTERNAL PARALLEL CIRCUITS MAY BE A MULTIPLE OF THOSE SHOWN ABOVE.
4. LEAD COLORS ARE OPTIONAL. LEADS MUST ALWAYS BE NUMBERED AS SHOWN.

REV. DESC: REVISE TO SHOW OPTIONAL COLORS

REV. LTR: E BY: JLP

REVISED: 01/19/99 10:15

TDR: 0171435

90000

FILE: AAA00005140

MDL: -

MTL: -

BALDOR ELECTRIC Co.

3PH, DV, 9 LEADS

CD0005