

**BALDOR® • RELIANCE** 

**Product Information Packet**

**IDNM3587T**

**2HP, 1755RPM, 3PH, 60HZ, 145TC, 0535M, TENV, F1**

Part Detail							
Revision:	M	Status:	PRD/A	Change #:		Proprietary:	No
Type:	AC	Elec. Spec:	05WGX131	CD Diagram:	CD0005	Mfg Plant:	
Mech. Spec:	05E534	Layout:	05LYE534	Poles:	04	Created Date:	09-08-2010
Base:	RG	Eff. Date:	11-03-2017	Leads:	9#18		

Specs			
Catalog Number:	IDNM3587T	Insulation Class:	H
Enclosure:	TENV	Inverter Code:	Inverter Duty
Frame:	145TC	KVA Code:	L
Frame Material:	Iron	Lifting Lugs:	No Lifting Lugs
Output @ Frequency:	2.000 HP @ 60 HZ	Locked Bearing Indicator:	Locked Bearing
Synchronous Speed @ Frequency:	1800 RPM @ 60 HZ	Motor Lead Quantity/Wire Size:	9 @ 18 AWG
Voltage @ Frequency:	460.0 V @ 60 HZ	Motor Lead Exit:	Ko Box
	230.0 V @ 60 HZ	Motor Lead Termination:	Flying Leads
XP Class and Group:	None	Motor Type:	0534M
XP Division:	Not Applicable	Mounting Arrangement:	F1
Agency Approvals:	CSA	Power Factor:	76
	UR	Product Family:	General Purpose
Auxillary Box:	No Auxillary Box	Pulley End Bearing Type:	Ball
Auxillary Box Lead Termination:	None	Pulley Face Code:	C-Face
Base Indicator:	Rigid	Pulley Shaft Indicator:	Standard
Bearing Grease Type:	Polyrex EM (-20F +300F)	Rodent Screen:	None
Blower:	None	RoHS Status:	ROHS COMPLIANT
Current @ Voltage:	2.800 A @ 460.0 V	Shaft Extension Location:	Pulley End

	5.600 A @ 230.0 V	<b>Shaft Ground Indicator:</b>	No Shaft Grounding
	6.100 A @ 208.0 V	<b>Shaft Rotation:</b>	Reversible
<b>Design Code:</b>	B	<b>Shaft Slinger Indicator:</b>	No Slinger
<b>Drip Cover:</b>	No Drip Cover	<b>Speed Code:</b>	Single Speed
<b>Duty Rating:</b>	CONT	<b>Motor Standards:</b>	NEMA
<b>Electrically Isolated Bearing:</b>	Not Electrically Isolated	<b>Starting Method:</b>	Direct on line
<b>Feedback Device:</b>	NO FEEDBACK	<b>Thermal Device - Bearing:</b>	None
<b>Front Face Code:</b>	Encoder/Feedback Device	<b>Thermal Device - Winding:</b>	Normally Closed Thermostat
<b>Front Shaft Indicator:</b>	None	<b>Vibration Sensor Indicator:</b>	No Vibration Sensor
<b>Heater Indicator:</b>	No Heater	<b>Winding Thermal 1:</b>	None
		<b>Winding Thermal 2:</b>	None

Nameplate NP1163L	
CAT NO	IDNM3587T
SPEC.	05E534X131G2
FRAME	145TC HP 2 TE
VOLTS	230/460
MAG CUR	3.2/1.6 FLA 5.6/2.8
RPM	1755 RPM MAX 5500
HZ	60 PH 3 CLASS H
SER.F.	1.00 DES B SL HZ 1.5
NEMA-NOM-EFF	86.5 WK2 0.201
BLWR V	PH HZ A
RATING	40C AMB-CONT
DE BRG	6205 ODE BRG 6203
CC	010A SN

Parts List		
Part Number	Description	Quantity
SA202968	SA 05E534X131G2	1.000 EA
RA190231	RA 05E534X131G2	1.000 EA
06CB3000	BALDOR CONDUIT BOX CAST	1.000 EA
06GS1000	GASKET,CONDUIT BOX	1.000 EA
51XW2520A12	.25-20 X .75, TAPTITE II, HEX WSHR SLTD	2.000 EA
11XW1032G06	10-32 X .38, TAPTITE II, HEX WSHR SLTD U	1.000 EA
HW3001B01	BRASS CUP WASHER, FOR #10 SCREW	1.000 EA
35EP1100B45	FRONT TENV 203 BRG W/GRSR & THRU-SHAFT E	1.000 EA
HW4500A01	1641B(ALEMITE)400 UNIV, GREASE FITT	1.000 EA
HW5100A03	WAVY WASHER (W1543-017)	1.000 EA
35EP1329A01	PU EP ENCL 143-5TC 205 BRG W/GRSR & STD	1.000 EA
HW4500A01	1641B(ALEMITE)400 UNIV, GREASE FITT	1.000 EA
51XN1032A20	10-32 X 1 1/4 HX WS SL SR	2.000 EA
HA3100A28	THRUBOLT 10-32 X 8.187	4.000 EA
35FH4801G	THRU-SHAFT ENCODER COVER INV/VECTOR F1 &	1.000 EA
WD4129	1.50 X 1.50 GRAY SNAP IN PLUG PROMOULD #	2.000 EA
10XN2520A08	1/4-20X1/2 HEX HEAD CAP	4.000 EA
10XN2520A08	1/4-20X1/2 HEX HEAD CAP	1.000 EA
06CB3500	BALDOR CONDUIT BOX LID	1.000 EA
06GS1001	BALDOR CONDUIT BOX GASKET	1.000 EA
51XW2520A12	.25-20 X .75, TAPTITE II, HEX WSHR SLTD	2.000 EA
HW2501D13	KEY, 3/16 SQ X 1.375	1.000 EA
HA7000A01	KEY RETAINER 7/8" DIA SHAFT	1.000 EA
MJ5004A05	#242-21 LOCTITE GENERAL PURPOSE MED. STR	0.005 EA

<b>Parts List (continued)</b>		
<b>Part Number</b>	<b>Description</b>	<b>Quantity</b>
85XU0407S04	4X1/4 U DRIVE PIN STAINLESS	2.000 EA
MJ1000A02	GREASE, POLYREX EM EXXON (USe 4824-15A)	0.050 LB
MG1000G27	MED CHARCOAL METALLIC GREY 400-0096	0.022 GA
LB1119N	WARNING LABEL	1.000 EA
LC0145B01	CONNECTION LABEL	1.000 EA
NP1163L	ALUM INV UL CSA CC	1.000 EA
36PA1000	PKG GRP, PRINT PK1016A06	1.000 EA
MN416A01	TAG-INSTAL-MAINT no wire (1200/bx) 5/18	1.000 EA



**AC Induction Motor Performance Data**

Record # 33946

Typical performance - not guaranteed values

<b>Winding:</b> 05WGXI31	<b>Type:</b> 0535M	<b>Enclosure:</b> TENV
--------------------------	--------------------	------------------------

Nameplate Data			General Characteristics at 460 V, 60 Hz: High Volt Connection		
Rated Output (HP)	2		Full Load Torque	5.95 LB-FT	
Volts	230/460		Start Configuration	DOL	
Full Load Amps	5.6/2.8		Break Down Torque	26.7 LB-FT	
R.P.M.	1755		Pull-Up Torque	16.4 LB-FT	
Hz	60	Phase	3	Locked-rotor Torque	18.7 LB-FT
NEMA Design Code	B	KVA Code	L	Starting Current	25.1 Amps
Service Factor	1		No-load Current	1.6 Amps	
NEMA Nom. Eff.	86.5	P.F.	76	Line-line Res. @ 25°C.	6.61 Ohms
Rating - Duty	40C AMB-CONT		Temp. Rise @ Rated Load	70°C	
S.F. Amps			Temp. Rise @ S.F. Load		

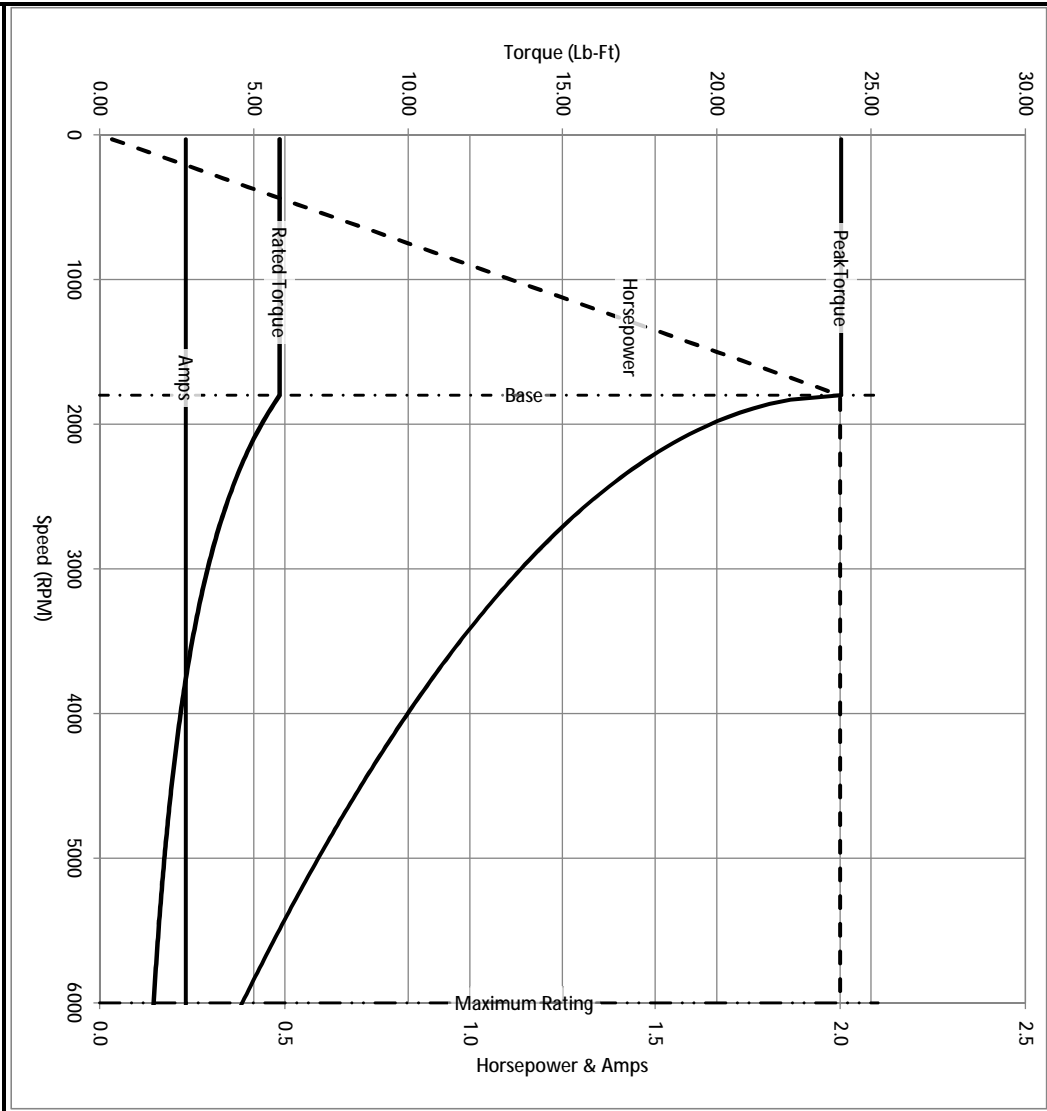
Load Characteristics at 460 Volts, 60 Hz, 2 HP

% of Rated Load	25	50	75	100	125	150	S.F.
Power Factor	34	55	68	76	81	83	
Efficiency	78.1	86.2	88.1	88.2	87.6	86.5	
Speed	1789	1779	1769	1758	1745	1732	
Line Amperes	1.71	1.97	2.34	2.79	3.3	3.88	

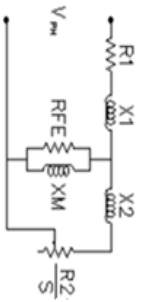
Baldor Electric Company Fort Smith, Arkansas



Catalog	IDNM3587T	NIP VOLTS	230/460	ENCLOSURE	TENV	WYE CONNECTION OHMS PER PHASE (BASE RATING, 200°)			
FRAME	145TC	NIP AMPS	5.6/2.8	Base Volts	460	R1	3.240	X1	6.730
HP	2 HP	DUTY	Cont	Base AMPS	2.79	R2	2.100	X2	6.039
BASE SPEED	1800	MAX SAFE RPM	6000	Slip Hz	1.40	XMI		163.482	
PHASE/HZ	3/60	AMB° C/INSUL	40/H	WK <sup>2</sup> (lb-ft <sup>2</sup> )	0.207				



Remarks: Calculated Data

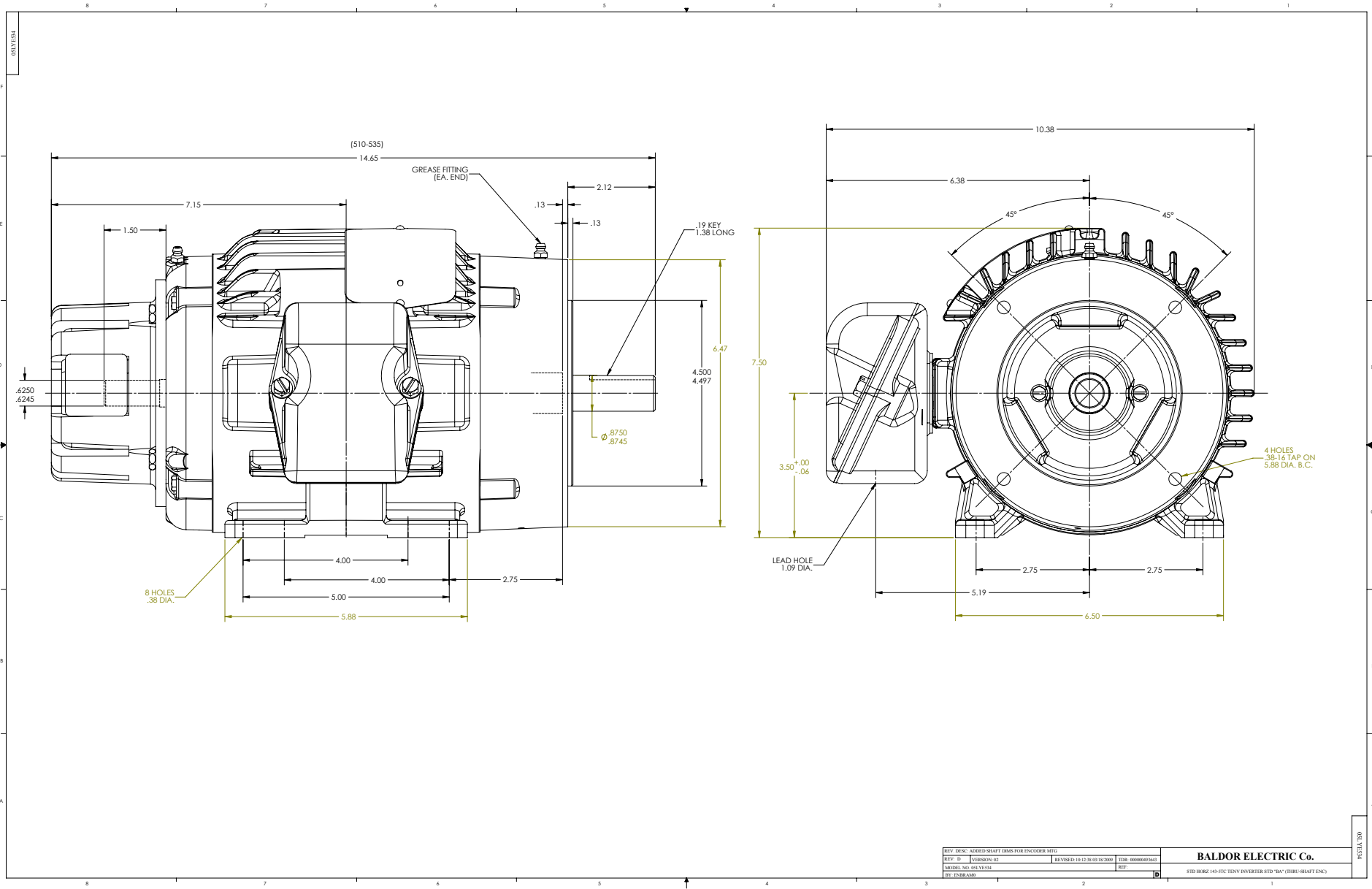


**BALDOR** DR BY ENR  
 CK BY  
 APP BY ENR  
 DATE 2/26/2013

**A MEMBER OF THE ABB GROUP**

A-C MOTOR PERFORMANCE CURVES  
 05E534X131G2  
 ISSUE DATE 2/26/2013





REV. (ENCL. ADDED WHAT ITEMS FOR ENCODER MTD)	REVISED 10/12/10 01/10/2010	IDR: 0000009341	<b>BALDOR ELECTRIC Co.</b> STD 100RZ 145-5TC TENV INVERTER STD "B" (TBU-SHAFT) ENCL
REV. D [VERSION: 02]		REF	
MODEL NO. 053535H			
BY: ENDRBAM			

PS21A, 10P

CD0005

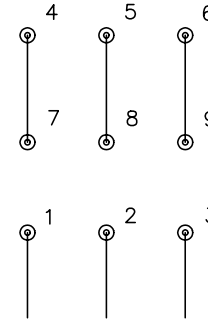


LOW VOLTAGE  
(2Y)



LINE

HIGH VOLTAGE  
(1Y)



LINE

NOTES:

1. INTERCHANGE ANY TWO LINE LEADS TO REVERSE ROTATION.
2. OPTIONAL THERMOSTATS ARE PROVIDED WHEN SPECIFIED.
3. ACTUAL NUMBER OF INTERNAL PARALLEL CIRCUITS MAY BE A MULTIPLE OF THOSE SHOWN ABOVE.
4. LEAD COLORS ARE OPTIONAL. LEADS MUST ALWAYS BE NUMBERED AS SHOWN.

REV. DESC: REVISE TO SHOW OPTIONAL COLORS

REV. LTR: E BY: JLP

REVISED: 01/19/99 10:15

TDR: 0171435

90000

FILE: AAA00005140

MDL: -

MTL: -

**BALDOR ELECTRIC Co.**

3PH, DV, 9 LEADS

CD0005