

**BALDOR® • RELIANCE** 

**Product Information Packet**

**IDVSM3661T**

**3HP,1755RPM,3PH,60HZ,182TC,0632M,TEFC,F1**

Part Detail							
Revision:	H	Status:	PRD/A	Change #:		Proprietary:	No
Type:	AC	Elec. Spec:	06WGX181	CD Diagram:	CD0005	Mfg Plant:	
Mech. Spec:	06H926	Layout:	06LYH926	Poles:	04	Created Date:	09-05-2012
Base:	RG	Eff. Date:	01-18-2018	Leads:	9#16		

Specs			
Catalog Number:	IDVSM3661T	Insulation Class:	F
Enclosure:	TEFC	Inverter Code:	Inverter Duty
Frame:	182TC	KVA Code:	J
Frame Material:	Iron	Lifting Lugs:	Standard Lifting Lugs
Output @ Frequency:	3.000 HP @ 60 HZ	Locked Bearing Indicator:	Locked Bearing
Synchronous Speed @ Frequency:	1800 RPM @ 60 HZ	Motor Lead Quantity/Wire Size:	9 @ 16 AWG
Voltage @ Frequency:	230.0 V @ 60 HZ	Motor Lead Exit:	Ko Box
	460.0 V @ 60 HZ	Motor Lead Termination:	Flying Leads
XP Class and Group:	None	Motor Type:	0632M
XP Division:	Not Applicable	Mounting Arrangement:	F1
Agency Approvals:	UR	Power Factor:	77
	CSA	Product Family:	General Purpose
Auxillary Box:	No Auxillary Box	Pulley End Bearing Type:	Ball
Auxillary Box Lead Termination:	None	Pulley Face Code:	C-Face
Base Indicator:	Rigid	Pulley Shaft Indicator:	Standard
Bearing Grease Type:	Polyrex EM (-20F +300F)	Rodent Screen:	None
Blower:	None	Shaft Extension Location:	Pulley End
Current @ Voltage:	4.100 A @ 460.0 V	Shaft Ground Indicator:	No Shaft Grounding

	8.200 A @ 230.0 V	<b>Shaft Rotation:</b>	Reversible
<b>Design Code:</b>	B	<b>Shaft Slinger Indicator:</b>	No Slinger
<b>Drip Cover:</b>	No Drip Cover	<b>Speed Code:</b>	Single Speed
<b>Duty Rating:</b>	CONT	<b>Motor Standards:</b>	NEMA
<b>Electrically Isolated Bearing:</b>	Not Electrically Isolated	<b>Starting Method:</b>	Direct on line
<b>Feedback Device:</b>	NO FEEDBACK	<b>Thermal Device - Bearing:</b>	None
<b>Front Face Code:</b>	Encoder/Feedback Device	<b>Thermal Device - Winding:</b>	Normally Closed Thermostat
<b>Front Shaft Indicator:</b>	No Key Or Flat	<b>Vibration Sensor Indicator:</b>	No Vibration Sensor
<b>Heater Indicator:</b>	No Heater	<b>Winding Thermal 1:</b>	None
		<b>Winding Thermal 2:</b>	None

Nameplate NP3301L	
CAT NO	IDVSM3661T
SPEC.	06H926X181G1
FRAME	182TC HP 3 TE
VOLTS	230/460
MAG CUR	4.2/2.1 FLA 8.2/4.1
RPM	1755 RPM MAX 5400
HZ	60 PH 3 CLASS F
SER.F.	1.00 SL HZ 1.5
NEMA-NOM-EFF	89.5 WK2 0.3
RATING	40C AMB-CONT
DE BRG	6206 ODE BRG 6206
CC	010A SN
	1.5:1 CHP PWM

Parts List		
Part Number	Description	Quantity
SA250943	SA 06H926X181G1	1.000 EA
RA237791	RA 06H926X181G1	1.000 EA
HW3201A05	3/8-16 EYEBOLT	1.000 EA
06CB1000A03	CONDUIT BOX, MACH	1.000 EA
06GS1000	GASKET,CONDUIT BOX	1.000 EA
51XW2520A12	SCREW, HEX SER SLT HD, ZN, 1/4-20 X .75	2.000 EA
11XW1032G06	10-32 X .38, TAPTITE II, HEX WSHR SLTD U	1.000 EA
HW3001B01	BRASS CUP WASHER, FOR #10 SCREW	1.000 EA
36EP1905A14	FREP FOR SPL CI FANCOVER, 206 BRG	1.000 EA
HW4500A01	1641B(ALEMITE)400 UNIV, GREASE FITT	1.000 EA
HW5100A06	W2420-025 WVY WSHR (WB)	1.000 EA
36PE1300A01	PU ENDPLATE, MACH	1.000 EA
HW4500A01	1641B(ALEMITE)400 UNIV, GREASE FITT	1.000 EA
10XN2520A26	1/4-20X 1 5/8 HEX HD	4.000 EA
HW1001A25	LOCKWASHER 1/4, ZINC PLT .493 OD, .255 I	4.000 EA
HA3101A34	THRUBOLT- 1/4-20 X 10.375	4.000 EA
06FH1005A16	FAN COVER, MACH FOR 36EP1905A14	1.000 EA
WD4100A02	DP-1000 HEYCO PLUG OR 62MP1000 MICRO PL	1.000 EA
10XN2520A36	1/4-20X 2 1/4 HEX HD X	4.000 EA
HW1001A25	LOCKWASHER 1/4, ZINC PLT .493 OD, .255 I	4.000 EA
HA1100A06	SCREEN, RODENT	1.000 EA
51XT1032A04	10-32X1/4 HX WA SL SR TYT (F/S)	4.000 EA
HA6881	BEI HS35 THRU SHAFT ENCODER PROTECTIVE C	1.000 EA
10XN3816A10	3/8-16 X 5/8 HEX HD CAP SCREW	3.000 EA

<b>Parts List (continued)</b>		
<b>Part Number</b>	<b>Description</b>	<b>Quantity</b>
06CB1500A01	CONDUIT BOX LID, MACH	1.000 EA
06GS1001	BALDOR CONDUIT BOX GASKET	1.000 EA
10XN2520A12	O1/4-20X 3/4 HEX HEAD CAP	2.000 EA
HW1001A25	LOCKWASHER 1/4, ZINC PLT .493 OD, .255 I	2.000 EA
HW2501E16	KEY, 1/4 SQ X 1.750	1.000 EA
HA7000A02	KEY RETAINER RING, 1 1/8 DIA, 1 3/8 DIA	1.000 EA
85XU0407S04	4X1/4 U DRIVE PIN STAINLESS	2.000 EA
LB1115N	LABEL,LIFTING DEVICE (ON ROLLS)	1.000 EA
MJ1000A02	GREASE, POLYREX EM EXXON (USe 4824-15A)	0.050 LB
36FN3000C02SP	EXFN, PLASTIC, 5.25 OD, 1.175 ID	1.000 EA
51XB1214A16	12-14X1.00 HXWSSLD SERTYB	1.000 EA
MG1025N19	MUNSELL 8.5BG 3.57/2.0, GLOSS 30, B/G,	0.028 GA
LB1119N	WARNING LABEL	1.000 EA
LC0145B01	CONNECTION LABEL	1.000 EA
NP3301L	SS INV UL CSA CC (W/OUT DESIGN FIELD)	1.000 EA
G0PA1000	PKG GRP, PRINT PK1026A06	1.000 EA
MN416A01	TAG-INSTAL-MAINT no wire (1200/bx) 5/18	1.000 EA

REL. S.O.	IDVSM3661T	VOLTS	460	ENCLOSURE	TEFC	WYE CONNECTION	CHMS PER PHASE
FRAME	182TC	AMPS	4.1	MAX SAFE RPM	5400	(AT BASE RATING, 25°C)	
HP	3	DUTY	CONT	In (AMPS)	2.1	R1	2.0800 X1 5.4900
BASE SPEED	1760	S.F.	1.0	P.F. @NL/FL	6/77	R2	1.4800 X2 4.5800
PHASE/HZ	3/60	AMB <sup>0</sup> C/INSUL	40/F	WK <sup>2</sup> (lb-ft <sup>2</sup> )	0.298		XM1 119.3000

**Rated Full Load Data**

	RPM	HP	Torque	Volts	Freq-Hz	Amps
Base Speed	1757	3.0	9.06	460	60	4.10
Max Speed	2630	3.0	6.04	460	90	3.90
Min Speed	0	0.0	9.06	33.37	1.43	4.10

**Load Performance at Base Speed**

	RPM	HP	Torque	Volts	Freq-Hz	Amps
No Load	1799	0.0	0.00	460	60	2.10
1/4	1789	0.8	2.31	460	60	2.34
1/2	1779	1.5	4.54	460	60	2.79
3/4	1769	2.3	6.80	460	60	3.39
Full Load	1757	3.0	9.06	460	60	4.10
O/L	1700	6.5	20.20	460	60	8.50

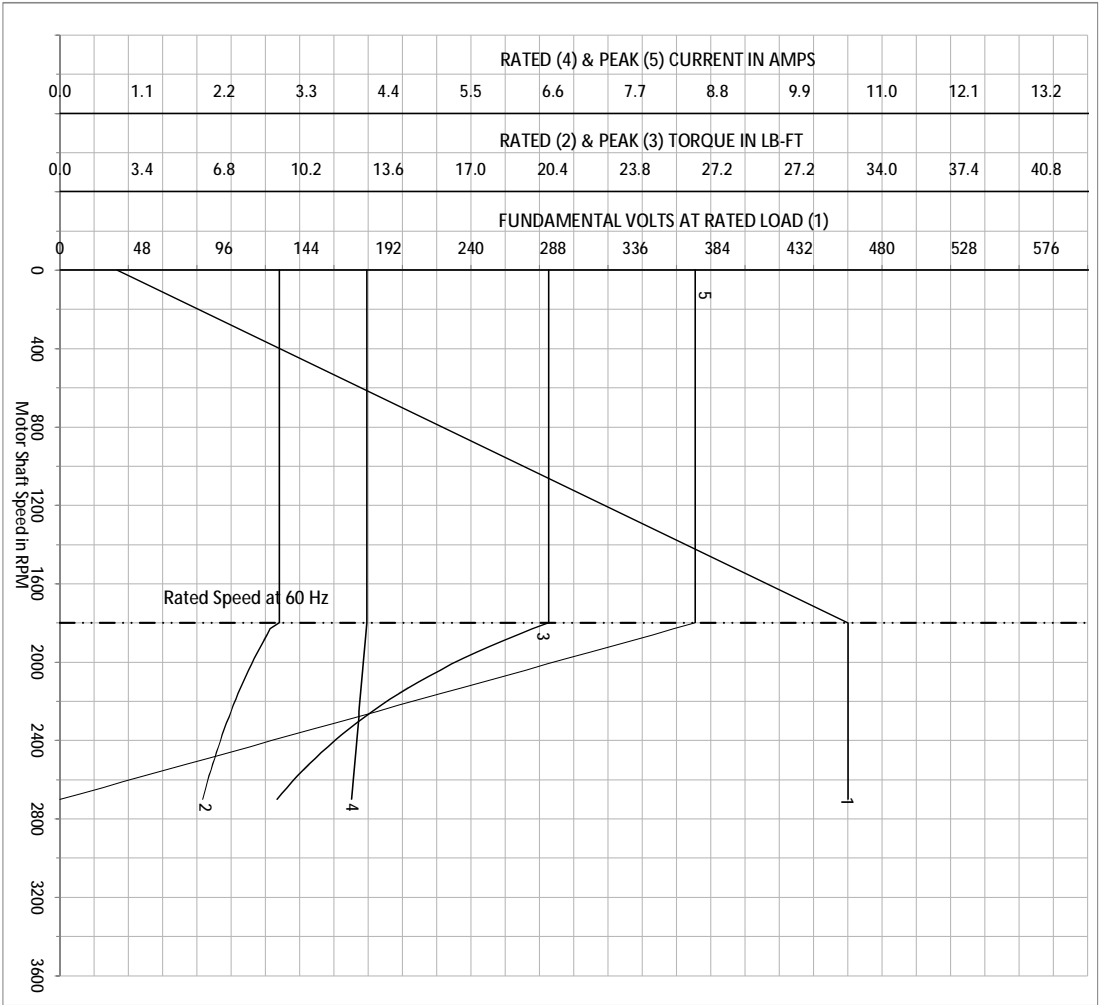
Blower Data	Volts	Ph/Hz	FL Amps	LR Amps	Frame	CFM

Remarks: Calculated Data  
Vector PWM Inverter Duty

	DR BY	Michael Williams	A-C MOTOR PERFORMANCE CURVES	06G938X181Z1
	CK BY	Michael Williams		
	APP BY	Michael Williams	ISSUE DATE	8/20/2012
	DATE	8/20/2012		

REL. S.O.	IDVSM3661T	VOLTS	460	ENCLOSURE	TEFC	WYE/CONN EQ CKT OHMS PER PHASE (AT BASE RATING, 25°C)
FRAME	182TC	AMPS DUTY	4.1	MAX SAFE RPM	5400	R1 2.0800 X1 5.4900
HP	3	S.F.	1.00	P.F. @NL/FL	2.1	R2 1.4800 X2 4.5800
BASE SPEED	1760	AMB <sup>0</sup> C/INSUL.	40/F	WK <sup>2</sup> (lb-ft <sup>2</sup> )	6/77	XM 119.3000
PHASE/HZ	3/60				0.298	

Vector PWM Inverter Duty  
Variable Speed AC Motor Curves



Calculated Data

Data Valid For Nameplate Speed Range only

**BALDOR**  
A MEMBER OF THE ABB GROUP

DR BY: Michael Williamson  
CK BY: Michael Williamson  
APP BY: Michael Williamson  
DATE: 8/20/2012

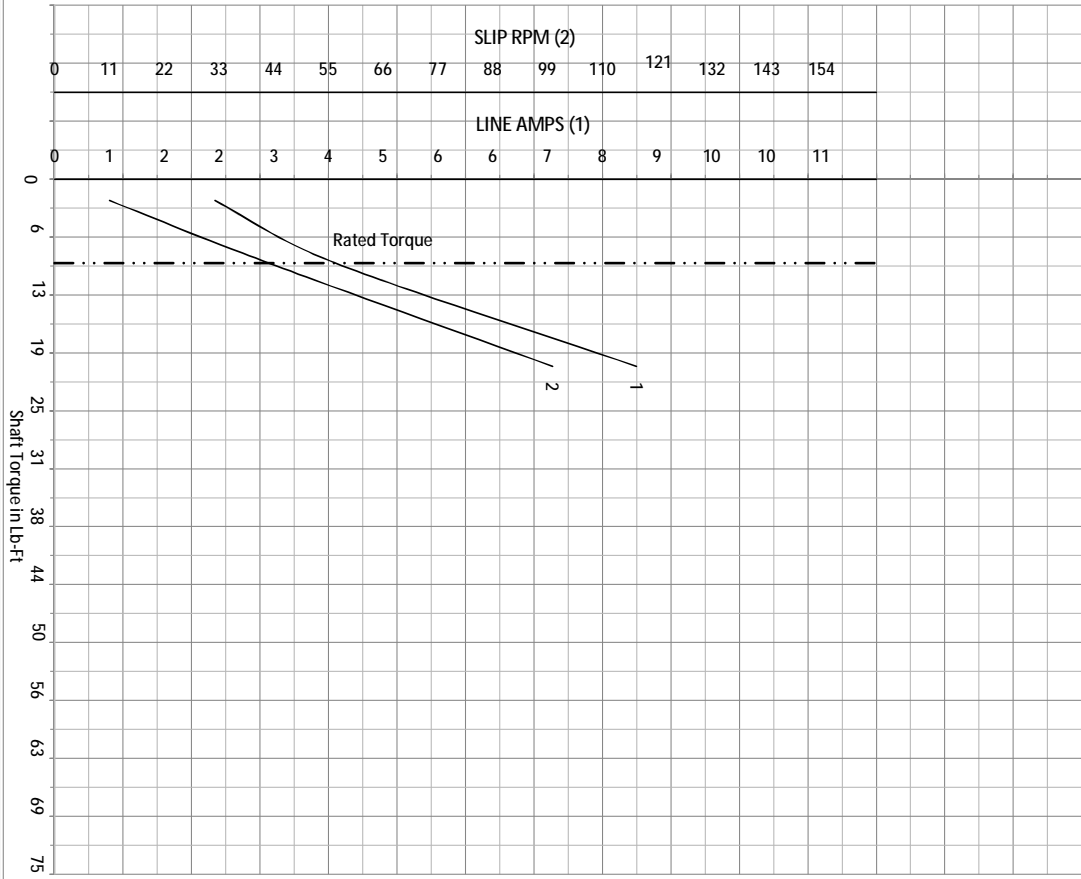
**06G938X181Z1**  
SH 1 of 2  
ISSUE DATE: 8/20/2012

**A-C MOTOR PERFORMANCE CURVES**



REL. S.O.	IDVSM3661T	VOLTS	460	ENCLOSURE	TEFC	WYE CONN. EQ. CKT OHMS PER PHASE
FRAME	182TC	AMPS	4.1	MAX SAFE RPM	5400	(AT BASE RATING, 25°C)
HP	3	DUTY	CONT	In (AMPS)	2.1	R1 2.0800 X1 5.4900
BASE SPEED	1760	S.F.	1.00	P.F. @NL/FL	6/77	R2 1.4800 X2 4.5800
PHASE/HZ	3/60	AMB <sup>6</sup> /INSUL.	40/F	WK <sup>2</sup> (Lb-Ft <sup>2</sup> )	0.298	XM 119.3000

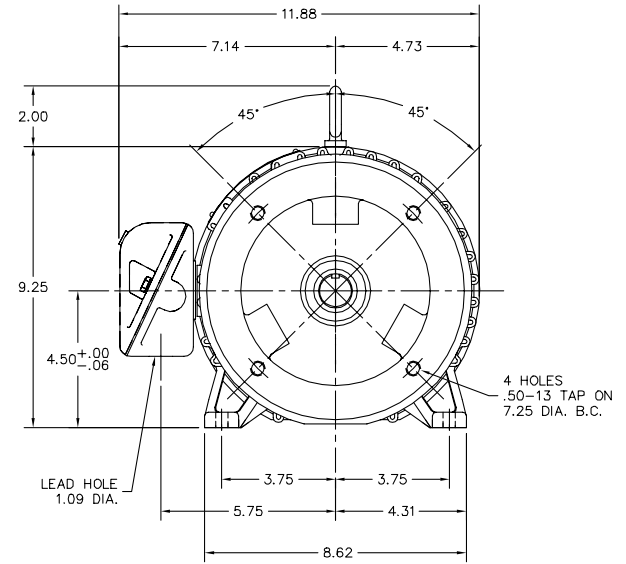
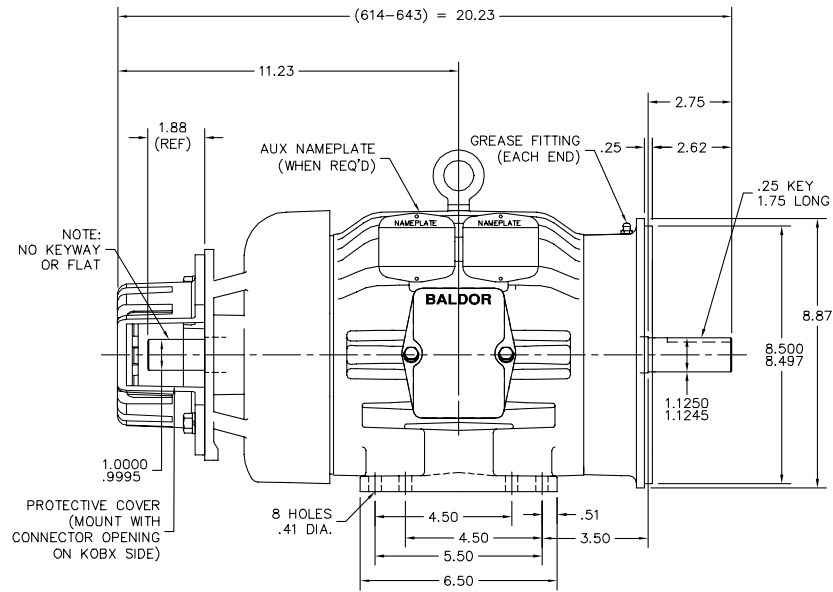
Vector PWM Inverter Duty  
Variable Speed AC Motor Curves



Calculated Data  
Data Valid For Nameplate Speed Range only

	DR BY	Michael Williams	<b>A-C MOTOR</b> <b>PERFORMANCE CURVES</b>	<b>06G938X181Z1</b> SH 1 of 2 ISSUE DATE 8/20/2012
	CK BY	Michael Williams		
	APP BY	Michael Williams		
A MEMBER OF THE ABB GROUP	DATE	8/20/2012		

06LYH926



CUSTOMER IS RESPONSIBLE FOR DETERMINING THAT BALDOR'S PRODUCT WILL PERFORM SUITABLY IN THE INTENDED APPLICATION.

REV. DESC: ADD GRAPHICS FOR 2 AUX NAMEPLATE	VERSION: 03	TDR: 000001028400
REV. LTR: C	REVISED: 02:18:16 05/15/2017	BY: USZAHAR
FILE: \AAA\00193\632		
MTL: -		

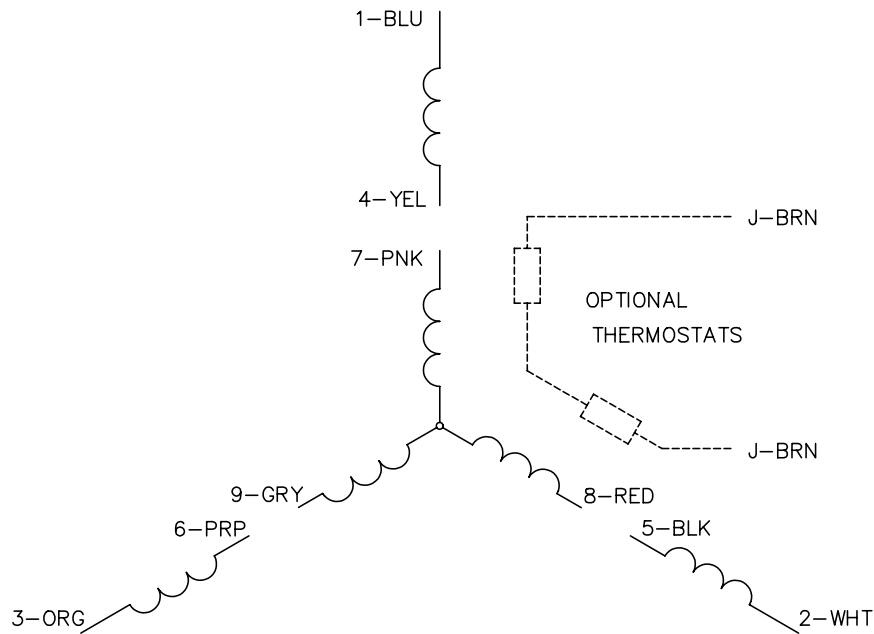
**BALDOR**

STD HORZ 182-4TC TEFC V\*S MASTER INVERTER

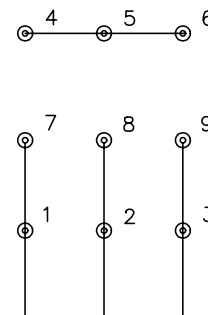
SH 1 of 1

06LYH926

CD0005

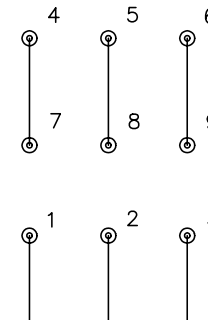


LOW VOLTAGE  
(2Y)



LINE

HIGH VOLTAGE  
(1Y)



LINE

NOTES:

1. INTERCHANGE ANY TWO LINE LEADS TO REVERSE ROTATION.
2. OPTIONAL THERMOSTATS ARE PROVIDED WHEN SPECIFIED.
3. ACTUAL NUMBER OF INTERNAL PARALLEL CIRCUITS MAY BE A MULTIPLE OF THOSE SHOWN ABOVE.
4. LEAD COLORS ARE OPTIONAL. LEADS MUST ALWAYS BE NUMBERED AS SHOWN.

REV. DESC: REVISE TO SHOW OPTIONAL COLORS			
REV. LTR: E	BY: JLP	REVISED: 01/19/99 10:15	TDR: 0171435
90000		FILE: AAA00005140	MDL: -
		MTL: -	

**BALDOR ELECTRIC Co.**

3PH, DV, 9 LEADS

CD0005