

BALDOR® • RELIANCE 

Product Information Packet

IDXM7542T

3HP, 1755RPM, 3PH, 60HZ, 182TC, 0632M, XPFC, F1

Part Detail							
Revision:	K	Status:	PRD/A	Change #:		Proprietary:	No
Type:	AC	Elec. Spec:	06WGX181	CD Diagram:	CD0005	Mfg Plant:	
Mech. Spec:	06J010	Layout:	06LYJ010	Poles:	04	Created Date:	12-21-2011
Base:	RG	Eff. Date:	04-26-2017	Leads:	9#16		

Specs			
Catalog Number:	IDXM7542T	Insulation Class:	F
Enclosure:	XPFC	Inverter Code:	Inverter Duty
Frame:	182TC	KVA Code:	J
Frame Material:	Iron	Lifting Lugs:	Standard Lifting Lugs
Output @ Frequency:	3.000 HP @ 60 HZ	Locked Bearing Indicator:	Locked Bearing
Synchronous Speed @ Frequency:	1800 RPM @ 60 HZ	Motor Lead Quantity/Wire Size:	9 @ 16 AWG
Voltage @ Frequency:	460.0 V @ 60 HZ	Motor Lead Exit:	Ko Box
	230.0 V @ 60 HZ	Motor Lead Termination:	Flying Leads
XP Class and Group:	CLI GP D	Motor Type:	0632M
XP Division:	Division I	Mounting Arrangement:	F1
Agency Approvals:	UR	Power Factor:	77
	UL	Product Family:	General Purpose
	CSA	Pulley End Bearing Type:	Sealed Bearing
Auxillary Box:	No Auxillary Box	Pulley Face Code:	C-Face
Auxillary Box Lead Termination:	None	Pulley Shaft Indicator:	Standard
Base Indicator:	Rigid	Rodent Screen:	None
Bearing Grease Type:	Polyrex EM (-20F +300F)	Shaft Extension Location:	Pulley End
Blower:	None	Shaft Ground Indicator:	No Shaft Grounding

Constant Torque Speed Range:	6	Shaft Rotation:	Reversible
Current @ Voltage:	4.100 A @ 460.0 V	Shaft Slinger Indicator:	No Slinger
	8.200 A @ 230.0 V	Speed Code:	Single Speed
Design Code:	B	Motor Standards:	NEMA
Drip Cover:	No Drip Cover	Starting Method:	Direct on line
Duty Rating:	CONT	Thermal Device - Bearing:	NONE (OLD)
Electrically Isolated Bearing:	Not Electrically Isolated	Thermal Device - Winding:	Normally Closed Thermostat
Feedback Device:	NO FEEDBACK	Vibration Sensor Indicator:	No Vibration Sensor
Front Face Code:	Standard	Winding Thermal 1:	None
Front Shaft Indicator:	None	Winding Thermal 2:	None
Heater Indicator:	No Heater	XP Temp Code:	T2B

Nameplate NP0890XPSLEV										
NO.					CC	010A				
S/N					TEMP CODE	T2B				
SPEC.	06J010X181G2				INV.TYPE	PWM				
CAT.NO.	IDXM7542T				C HP FR	60		C HP TO	90	
HP	3				CT HZ FROM	6		CT HZ TO	60	
VOLTS	230/460				VT HZ FROM	6		VT HZ TO	60	
AMPS	8.2/4.1				MAG CUR	4.2/2.1				
RPM	1755				MX RPM	2700				
HZ	60		PH	3		CL	F			
SER.F.	1.00		DES	B		SL HZ	1.5		WK2 0.3	
FRAME	182TC		RATING	40C AMB-CONT						
75C RISE										

Parts List		
Part Number	Description	Quantity
SA236472	SA 06J010X181G2	1.000 EA
RA223419	RA 06J010X181G2	1.000 EA
36FN3000C01SP	EXFN, PLASTIC, 5.25 OD, .912 ID	1.000 EA
HW3201A05	3/8-16 EYEBOLT	1.000 EA
07CB1000A02	CONDUIT BOX, MODEL 306,EXP. PROOF	1.000 EA
10XN2520A14	1/4 20X7/8 HX HD CAP	4.000 EA
HW1001A25	LOCKWASHER 1/4, ZINC PLT .493 OD, .255 I	4.000 EA
WD1000B17	T&B CX35TN TERMINAL	1.000 EA
11XW1032G06	10-32 X .38, TAPTITE II, HEX WSHR SLTD U	1.000 EA
HW4500A19	1/4-28X1/4 SLOTTED PLUG F/S	2.000 EA
06EP1706A01	SPECIAL FRONT ENDPLATE X06M - TEFC	1.000 EA
10XN3118K20	5/16-18 X 1 1/4 GRADE 5 STEEL ZC PLATED	4.000 EA
HW1001A31	LOCKWASHER 5/16, ZINC PLT.591 OD, .319 I	4.000 EA
HW5100A05	WVY WSHR F/205 & 304 BRGS	1.000 EA
06EP1707A01	STD XP PU EP 182-4TC 206 BRG 306M	1.000 EA
51XN1032A20	10-32 X 1 1/4 HX WS SL SR	2.000 EA
HW4001A01	1/4 HX SOC PIPE PLG (F/S) ALLOY STEEL W/	2.000 EA
60XN1032A07	10-32 X .4375 TRUSS HEAD, TORX SERRATED	2.000 EA
10XN3118K20	5/16-18 X 1 1/4 GRADE 5 STEEL ZC PLATED	4.000 EA
HW1001A31	LOCKWASHER 5/16, ZINC PLT.591 OD, .319 I	4.000 EA
06FH1003A01	FAN COVER, CAST X-PROOF--MACHINING	1.000 EA
51XN1032A14	10-32 X 0.875 HX WS SL SR	4.000 EA
07CB1500A01	CONDUIT BOX LID MACH	1.000 EA
10XN2520A16	1/4-20 X 1 HEX HEAD CAP SCR, ZINC PLATED	4.000 EA

Parts List (continued)		
Part Number	Description	Quantity
HW1001A25	LOCKWASHER 1/4, ZINC PLT .493 OD, .255 I	4.000 EA
HW2501E16	KEY, 1/4 SQ X 1.750	1.000 EA
HA7000A02	KEY RETAINER RING, 1 1/8 DIA, 1 3/8 DIA	1.000 EA
LB1081F	ALUM XP CAUTION LABEL (FS PLANT ONLY-	1.000 EA
LB1115N	LABEL,LIFTING DEVICE (ON ROLLS)	1.000 EA
85XU0407S04	4X1/4 U DRIVE PIN STAINLESS	6.000 EA
MJ1000A02	GREASE, POLYREX EM EXXON (USe 4824-15A)	0.050 LB
51XB1214A16	12-14X1.00 HXWSSLD SERTYB	1.000 EA
MG1025G29	WILKOFASST, 789.229, DARK CHARCOAL GRAY	0.028 GA
LB1119N	WARNING LABEL	1.000 EA
LC0145B01	CONNECTION LABEL	1.000 EA
NP0890XPSLEV	SS XP INV UL CSA-EEV CC CL-I GP-D	1.000 EA
G0PA1000	PKG GRP, PRINT PK1026A06	1.000 EA
MN416A01	TAG-INSTAL-MAINT no wire (1200/bx) 5/18	1.000 EA



AC Induction Motor Performance Data

Record # 36483

Typical performance - not guaranteed values

Winding: 06WG X181	Type: 0632M	Enclosure: TEBC
---------------------------	--------------------	------------------------

Nameplate Data			General Characteristics at 460 V, 60 Hz: High Volt Connection		
Rated Output (HP)	3		Full Load Torque	9.06 LB-FT	
Volts	230/460		Start Configuration	DOL	
Full Load Amps	8.2/4.1		Break Down Torque	33.1 LB-FT	
R.P.M.	1755		Pull-Up Torque	18.2 LB-FT	
Hz	60	Phase	Locked-rotor Torque	20.4 LB-FT	
NEMA Design Code	B	KVA Code	Starting Current	29.8 Amps	
Service Factor	1		No-load Current	2.14 Amps	
NEMA Nom. Eff.	89.5	P.F.	Line-line Res. @ 25°C.	3.94 Ohms	
Rating - Duty	40C AMB-CONT		Temp. Rise @ Rated Load	35°C	
S.F. Amps			Temp. Rise @ S.F. Load		

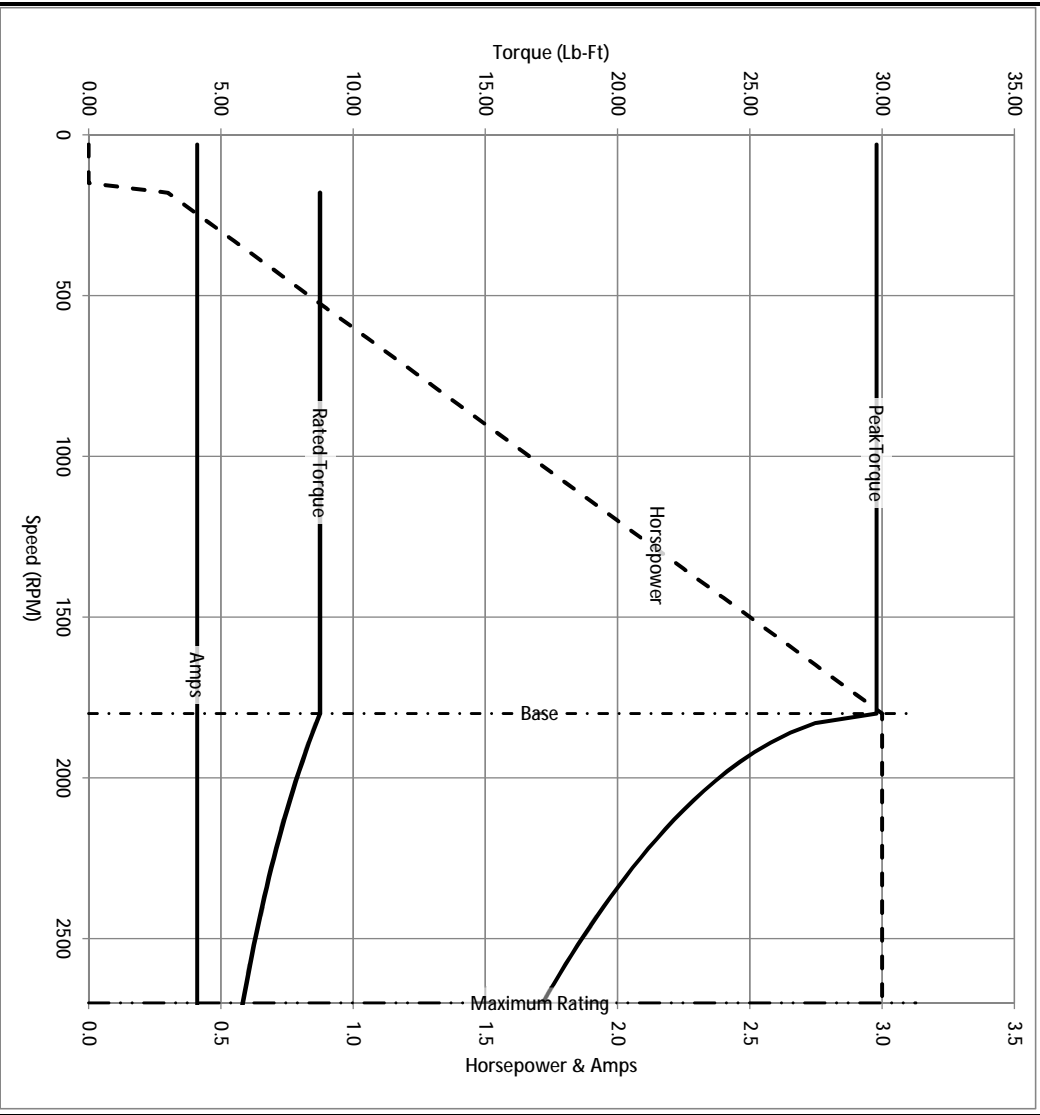
Load Characteristics at 460 Volts, 60 Hz, 3 HP

% of Rated Load	25	50	75	100	125	150	S.F.
Power Factor	38	58	70	77	81	83	
Efficiency	83.2	88.3	89.8	89.7	89.1	87.7	
Speed	1790	1779	1769	1757	1744	1730	
Line Amperes	2.34	2.79	3.39	4.1	4.91	5.86	

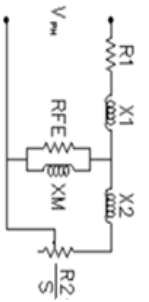
Baldor Electric Company Fort Smith, Arkansas



Catalog	IDXMT7542T	NIP VOLTS	230/460	ENCLOSURE	XPFC	WYE CONNECTION OHMS PER PHASE (BASE RATING, 200°)			
FRAME	182TC	NIP AMPS	8.2/4.1	Base Volts	460	R1	1.930	X1	5.490
HP	3 HP	DUTY	Cont	Base AMPS	4.1	R2	1.370	X2	4.581
BASE SPEED	1800	MAX SAFE RPM	2700	Slip Hz	1.43			XMI	119.333
PHASE/HZ	3/60	AMB ⁶ /C/INSUL	40/F	Wk ² (lb-ft ²)	0.298				



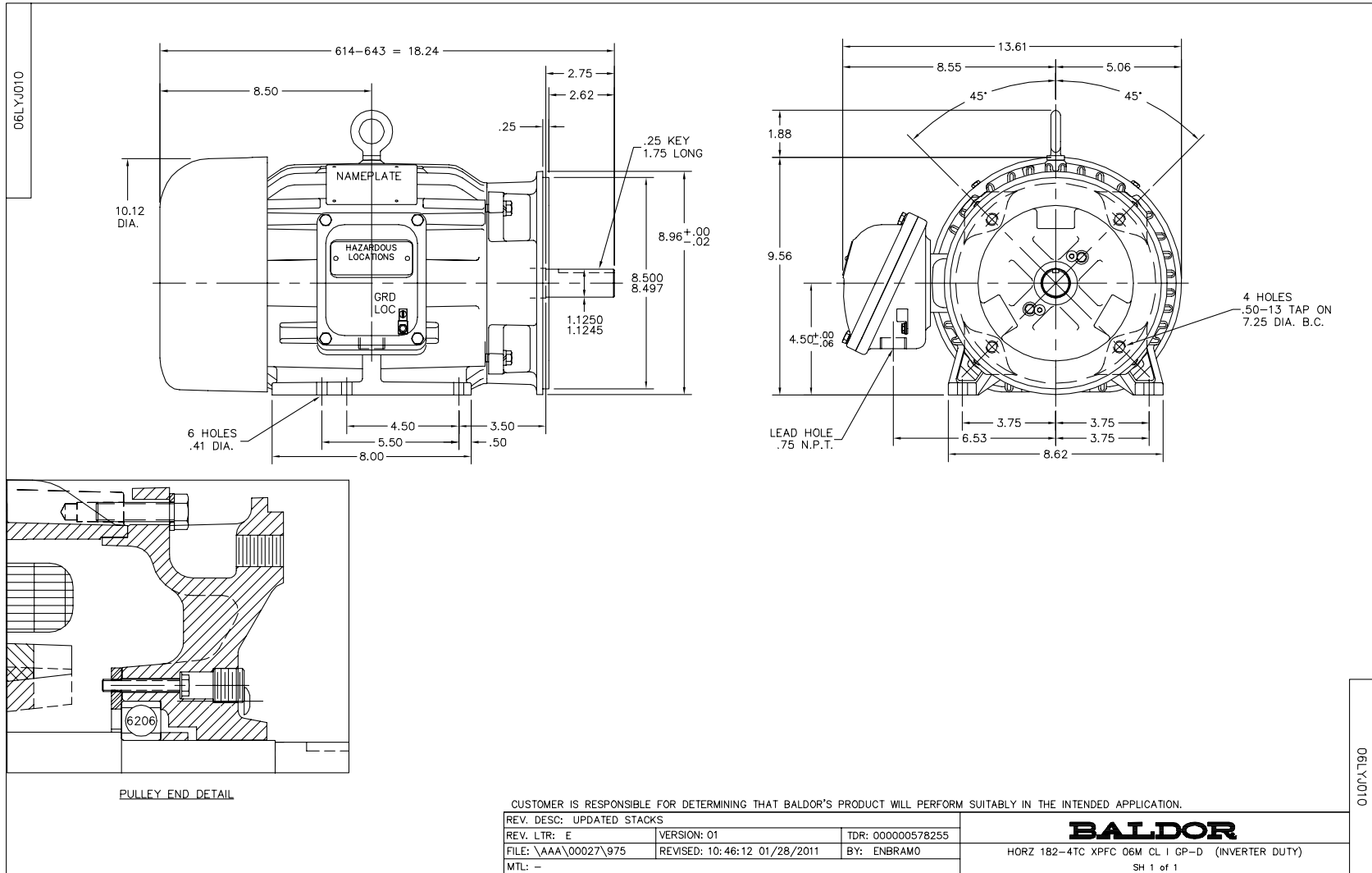
Remarks: Calculated Data



BALDOR DR BY ENR
 CK BY
 APP BY ENR
 DATE 2/27/2013

06I1010X181G2
 A-C MOTOR
 PERFORMANCE CURVES
 ISSUE DATE 2/27/2013

A MEMBER OF THE ABB GROUP



CD0005



LOW VOLTAGE
(2Y)



LINE

HIGH VOLTAGE
(1Y)



LINE

NOTES:

1. INTERCHANGE ANY TWO LINE LEADS TO REVERSE ROTATION.
2. OPTIONAL THERMOSTATS ARE PROVIDED WHEN SPECIFIED.
3. ACTUAL NUMBER OF INTERNAL PARALLEL CIRCUITS MAY BE A MULTIPLE OF THOSE SHOWN ABOVE.
4. LEAD COLORS ARE OPTIONAL. LEADS MUST ALWAYS BE NUMBERED AS SHOWN.

REV. DESC: REVISE TO SHOW OPTIONAL COLORS			
REV. LTR: E	BY: JLP	REVISED: 01/19/99 10:15	TDR: 0171435
900000		FILE: AAA00005140	MDL: -
		MTL: -	

BALDOR ELECTRIC Co.

3PH, DV, 9 LEADS

CD0005