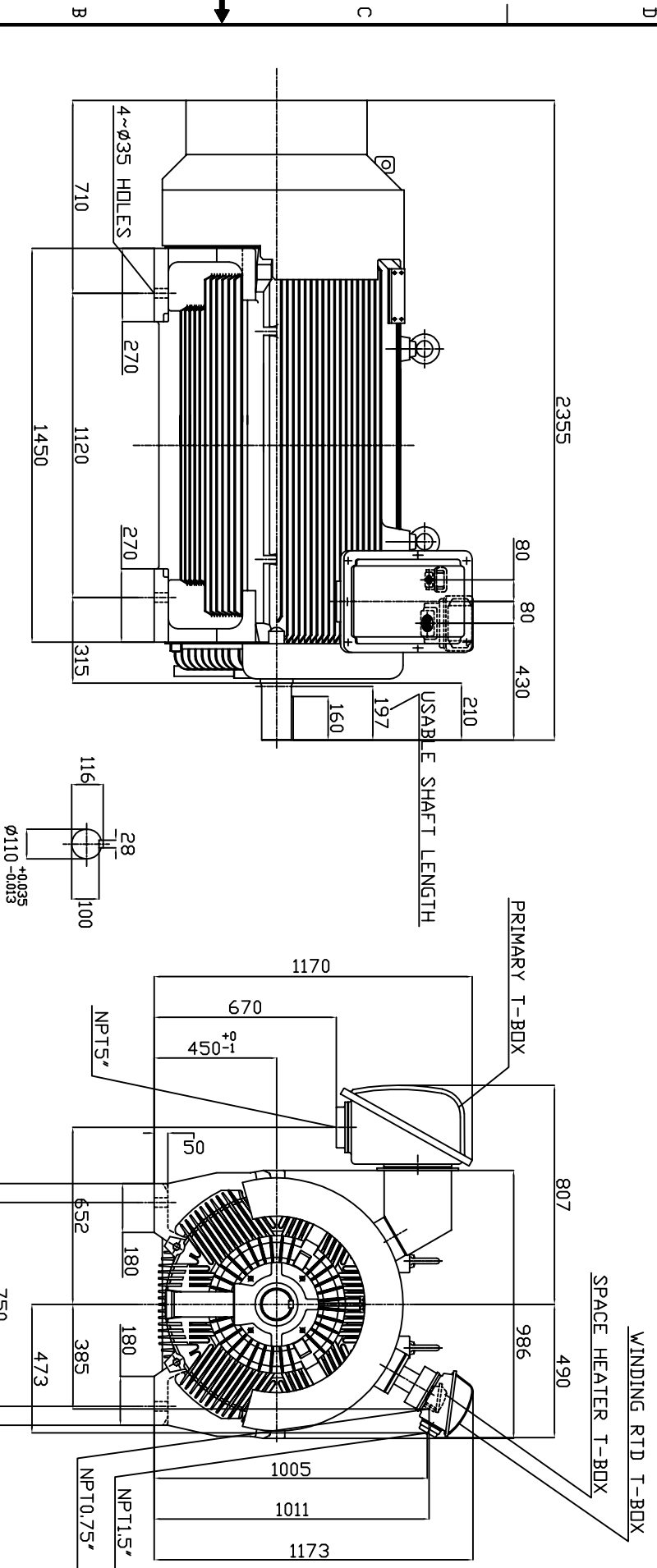


TYPE	OUTPUT		POLE	TIME RATING	VOLTAGE V	Hz	SYN.SPEED R.P.M
	HP	KW					
AEJHTK	900	671	6	CDNT.	2300/4160	60	1200

TOTALLY ENCLOSED FAN COOLED TYPE, SQUIRREL CAGE ROTOR



NOTE:

1. DIMENSIONS IN MM
2. FRAME ND. 450C
3. F CLASS INSULATION
4. FOR DIRECT FLEXIBLE COUPLING
5. WITH SPACE HEATER 120 VOLT SINGLE PHASE 300 WATTS
6. WITH 100 OHM PLATINUM WINDING RTD'S 2/PHASE
7. BEARING SIZE: DRIVE END: 6324  
NON-DRIVE END: 6322
8. MOTOR APPRX. WEIGHT: 4600 KGS

TW-66C

DWN.	W.L.LIN	APR-22-2003
CHKD.	W.L.LIN	APR-22-2003
APPD.	C.WANG	APR-22-2003

DATE	OUTLINE DIMENSIONS
MAY 7, 2004	3-PHASE INDUCTION MOTOR
CATALOG NO. JH09006	
DWG NO. 3A040T4071	REV: 00