

BALDOR® • RELIANCE 

Product Information Packet

JMEWDM23934T

20HP, 1765RPM, 3PH, 60HZ, 256JM, 3952M, TEFC, F

| Part Detail | | | | | | | |
|-------------|-------|-------------|------------|-------------|--------|---------------|------------|
| Revision: | G | Status: | PRD/A | Change #: | | Proprietary: | No |
| Type: | AC | Elec. Spec: | 39WGW766 | CD Diagram: | CD0180 | Mfg Plant: | |
| Mech. Spec: | 39K68 | Layout: | 39LYK068 | Poles: | 04 | Created Date: | 12-05-2014 |
| Base: | RG | Eff. Date: | 06-20-2018 | Leads: | 9#12 | | |

| Specs | | | |
|---------------------------------|-------------------------|--------------------------------|-----------------------|
| Catalog Number: | JMEWDM23934T | Heater Indicator: | No Heater |
| Enclosure: | TEFC | Insulation Class: | F |
| Frame: | 256JM | Inverter Code: | Inverter Ready |
| Frame Material: | Steel | KVA Code: | H |
| Output @ Frequency: | 20.000 HP @ 60 HZ | Lifting Lugs: | Standard Lifting Lugs |
| Synchronous Speed @ Frequency: | 1800 RPM @ 60 HZ | Locked Bearing Indicator: | Locked Bearing |
| Voltage @ Frequency: | 460.0 V @ 60 HZ | Motor Lead Quantity/Wire Size: | 9 @ 12 AWG |
| | 230.0 V @ 60 HZ | Motor Lead Exit: | Ko Box |
| XP Class and Group: | None | Motor Lead Termination: | Flying Leads |
| XP Division: | Not Applicable | Motor Type: | 3952M |
| Agency Approvals: | UR | Mounting Arrangement: | F1 |
| | CSA EEV | Power Factor: | 84 |
| | CSA | Product Family: | Wash Down |
| Auxillary Box: | No Auxillary Box | Pulley End Bearing Type: | Sealed Bearing |
| Auxillary Box Lead Termination: | None | Pulley Face Code: | C-Face |
| Base Indicator: | Rigid | Pulley Shaft Indicator: | Tapped & Key |
| Bearing Grease Type: | Polyrex EM (-20F +300F) | Rodent Screen: | None |
| Blower: | None | Shaft Extension Location: | Pulley End |

| | | | |
|---------------------------------------|---------------------------|------------------------------------|---------------------|
| Current @ Voltage: | 24.000 A @ 460.0 V | Shaft Ground Indicator: | No Shaft Grounding |
| | 48.000 A @ 230.0 V | Shaft Rotation: | Reversible |
| | 52.000 A @ 208.0 V | Shaft Slinger Indicator: | Shaft Slinger |
| Design Code: | A | Speed Code: | Single Speed |
| Drip Cover: | No Drip Cover | Motor Standards: | NEMA |
| Duty Rating: | CONT | Starting Method: | Direct on line |
| Electrically Isolated Bearing: | Not Electrically Isolated | Thermal Device - Bearing: | None |
| Feedback Device: | NO FEEDBACK | Thermal Device - Winding: | None |
| Front Face Code: | Standard | Vibration Sensor Indicator: | No Vibration Sensor |
| Front Shaft Indicator: | None | Winding Thermal 1: | None |
| | | Winding Thermal 2: | None |

| Nameplate NP1669L | | | | | | | | | | |
|-------------------|--------------|--|------|-----|----------------|----|--|-------|----|---|
| CAT.NO. | JMEWDM23934T | | | | | | | | | |
| SPEC. | 39K068W766G1 | | | | | | | | | |
| HP | 20 | | | | | | | | | |
| VOLTS | 230/460 | | | | | | | | | |
| AMP | 48/24 | | | | | | | | | |
| RPM | 1765 | | | | | | | | | |
| FRAME | 256JM | | | | HZ | 60 | | | PH | 3 |
| SER.F. | 1.15 | | CODE | H | DES | A | | CLASS | F | |
| NEMA-NOM-EFF | 93 | | PF | 84 | | | | | | |
| RATING | 40C AMB-CONT | | | | | | | | | |
| CC | 010A | | | | USABLE AT 208V | 52 | | | | |
| DE | 6309 | | | ODE | 6208 | | | | | |
| ENCL | TEFC | | SN | | | | | | | |
| BLANK | | | | | | | | | | |

| Parts List | | |
|----------------|--|----------|
| Part Number | Description | Quantity |
| SA290807 | SA 39K068W766G1 | 1.000 EA |
| RA276962 | RA 39K068W766G1 | 1.000 EA |
| S/P107-000-005 | SUPER-E PROC'S(254/6 FR.) ZK PLANT - POL | 1.000 EA |
| HA6016P | ADAPTER, CAST CONDUIT BOX EPOXY PRIMER | 1.000 EA |
| 09GS1006 | GASKET, CONDUIT BOX, NEOP-1/16 THICK-BLA | 1.000 EA |
| 09CB3000A02P | SPL 309 CONDUIT BOX W/1.25 N.P.T. W/PRI | 1.000 EA |
| RM1017 | LEAD SEPERATOR GASKET MODEL 307 1/8" THK | 1.000 EA |
| 51XW2520A12 | .25-20 X .75, TAPTITE II, HEX WSHR SLTD | 2.000 EA |
| HW1001A25 | LOCKWASHER 1/4, ZINC PLT .493 OD, .255 I | 2.000 EA |
| WD1000B16 | T&B CX70TN TERMINAL | 1.000 EA |
| 59XW2520G07 | .25-20X.44,HEX SER WSHR,TAPTITE 2,GREEN | 1.000 EA |
| 39EP1100A08WP | FR ENDPLATE, MACH W/WHITE EPOXY, PRIMED | 1.000 EA |
| HW4600B44 | V-RING SLINGER 1.500 X 1.810 X .28 VITON | 1.000 EA |
| HW5100A08 | W3118-035 WVY WSHR (WB) | 1.000 EA |
| 10XN2520S28 | 1/4-20X 1 3/4 HEX HD SS X | 4.000 EA |
| 39EP1500A06P | PU ENDPLATE, MACH W/EPOXY PRIMER | 1.000 EA |
| HW4600A27 | SEAL 1.750 X 2.441 X 0.313 SINGLE LIP | 1.000 EA |
| HW4600B67 | V-RING SLINGER 1.770 X 2.170 X .28 VITON | 1.000 EA |
| HA3154S02 | THRUBOLT STUD 3/8-16 X 15.875 SS | 4.000 EA |
| XY3816S12 | 3/8-16 HEX FINISHED NUT SS | 8.000 EA |
| HA2101A05 | SS SPACER,SCH 40,.25" SS PIPE,.625" LONG | 3.000 EA |
| 10XN2520S20 | 1/4-20X 1 1/4 HEX HD CAP SS | 3.000 EA |
| 09CB3500P | CONDUIT BOX LID, CAST W/PRIMER | 1.000 EA |
| 09GS1001A01 | GASKET, BOX LID, 1/8 THICK BLACK NEOPREN | 1.000 EA |

| Parts List (continued) | | |
|------------------------|--|----------|
| Part Number | Description | Quantity |
| 19XT2520S12 | 1/4-20X3/4 HWH NO SLOT TY.23 18-8 S.S. | 2.000 EA |
| HW1001S25 | WASHER, 1/4 SPLT LK, STAINLESS STEEL | 2.000 EA |
| HW2502E18 | #303 SS,SQ KEY 1/4 X 2.000 | 1.000 EA |
| MJ5001A27 | 32220KN GRAY SEALER *MIN BUY 4 QTS=1GAL | 0.016 QT |
| MJ5002A01 | SILICON RUBBER SEALANT, 732CL 10.3 OZ TU | 0.025 EA |
| LB1115N | LABEL,LIFTING DEVICE (ON ROLLS) | 1.000 EA |
| LB1164 | LABEL,WARNING AND DRAIN | 1.000 EA |
| HW4032A01 | BLACK DRAIN PLUG FOR WASH DOWN MOTORS | 3.000 EA |
| MJ1000A02 | GREASE, POLYREX EM EXXON (USe 4824-15A) | 0.085 LB |
| HW4032A01 | BLACK DRAIN PLUG FOR WASH DOWN MOTORS | 3.000 EA |
| 09FN3001D01SP | EXTERNAL FAN, PLASTIC | 1.000 EA |
| HW2500A25 | WOODRUFF KEY USA #1008 #BLOW CARBON STEE | 1.000 EA |
| 51XB1214A20 | 12-14X1.25 HXWSSLD SERTYB | 1.000 EA |
| 09FH4000A23MWP | FAN COVER, MACH W/WHITE EPOXY | 1.000 EA |
| MG1025W01 | WILKOFASST, 781.01, SIGNAL WHITE #9003 | 0.050 GA |
| 85XU0407S04 | 4X1/4 U DRIVE PIN STAINLESS | 2.000 EA |
| LB1119N | WARNING LABEL | 1.000 EA |
| LC0181 | CONNECTION LABEL | 1.000 EA |
| NP1669L | SS WD SUPER-E UL CSA-EEV PREM REV MTG | 1.000 EA |
| 39PA1000 | PACKAGING GROUP 39 PRINT | 1.000 EA |
| MN416A01 | TAG-INSTAL-MAINT no wire (1200/bx) 5/18 | 1.000 EA |

AC Induction Motor Performance Data

Record # 32188 - Typical performance - not guaranteed values

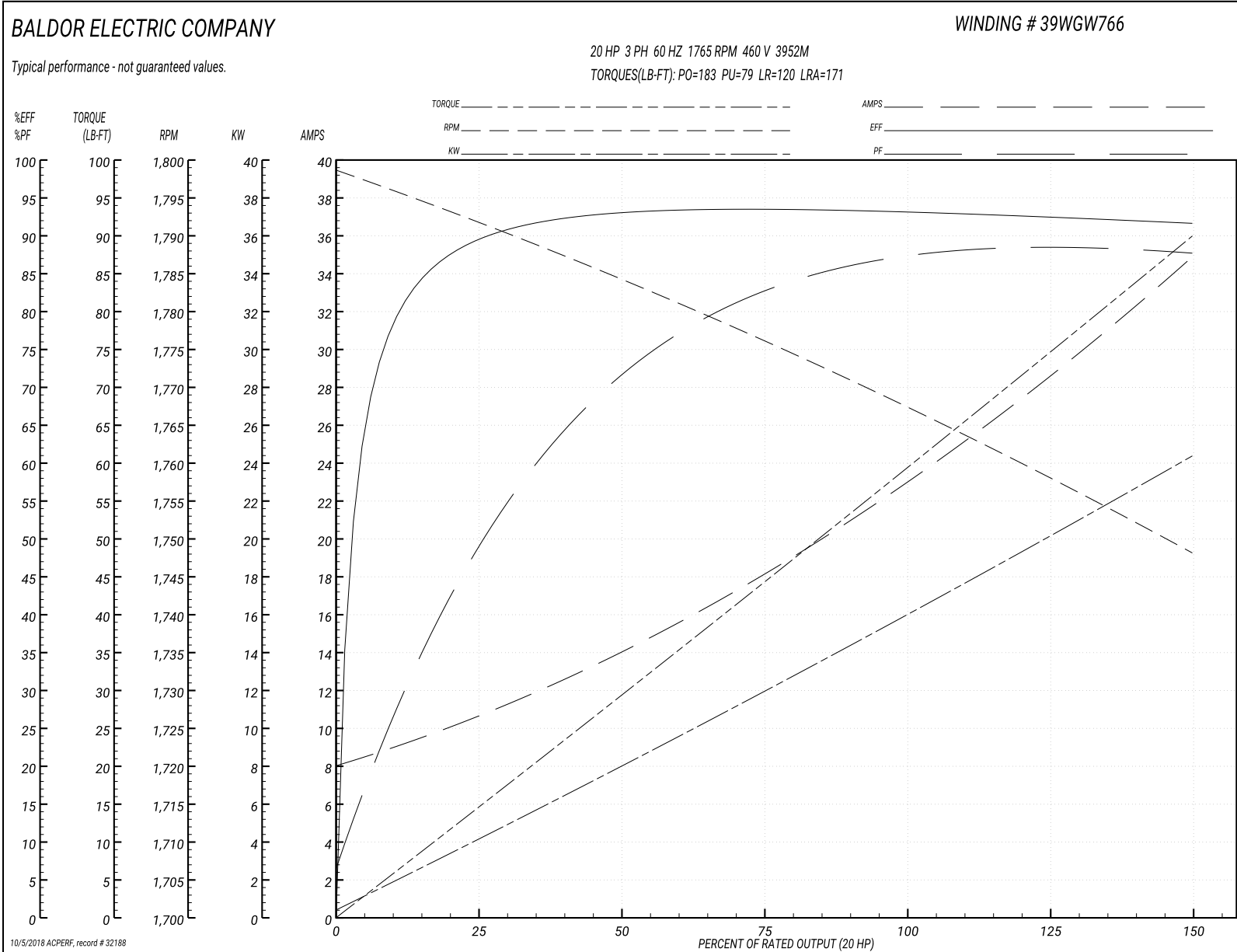
| | | |
|-------------------------------|--------------------|------------------------|
| Winding: 39WGW766-R006 | Type: 3952M | Enclosure: TEFC |
|-------------------------------|--------------------|------------------------|

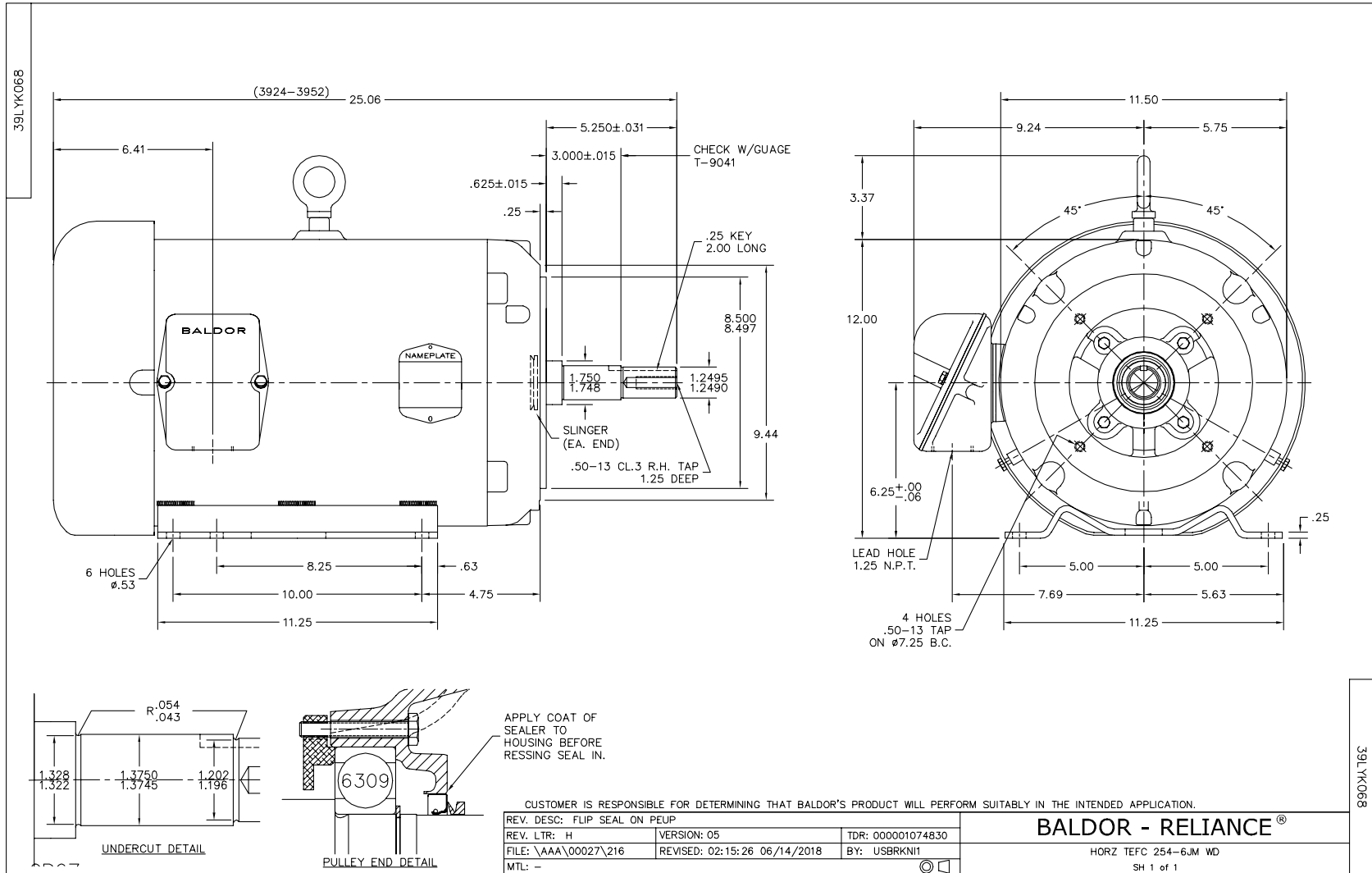
| Nameplate Data | | | | 460 V, 60 Hz: High Voltage Connection | |
|-----------------------|--------------|--------------|----|--|-------------------------|
| Rated Output (HP) | 20 | | | Full Load Torque | 60 LB-FT |
| Volts | 230/460 | | | Start Configuration | direct on line |
| Full Load Amps | 48/24 | | | Breakdown Torque | 183 LB-FT |
| R.P.M. | 1765 | | | Pull-up Torque | 79 LB-FT |
| Hz | 60 | Phase | 3 | Locked-rotor Torque | 120 LB-FT |
| NEMA Design Code | A | KVA Code | H | Starting Current | 171 A |
| Service Factor (S.F.) | 1.15 | | | No-load Current | 8.5 A |
| NEMA Nom. Eff. | 93 | Power Factor | 84 | Line-line Res. @ 25°C | 0.4083 Ω |
| Rating - Duty | 40C AMB-CONT | | | Temp. Rise @ Rated Load | 70°C |
| S.F. Amps | | | | Temp. Rise @ S.F. Load | 84°C |
| | | | | Locked-rotor Power Factor | 32.6 |
| | | | | Rotor inertia | 2.27 LB-FT ² |

Load Characteristics 460 V, 60 Hz, 20 HP

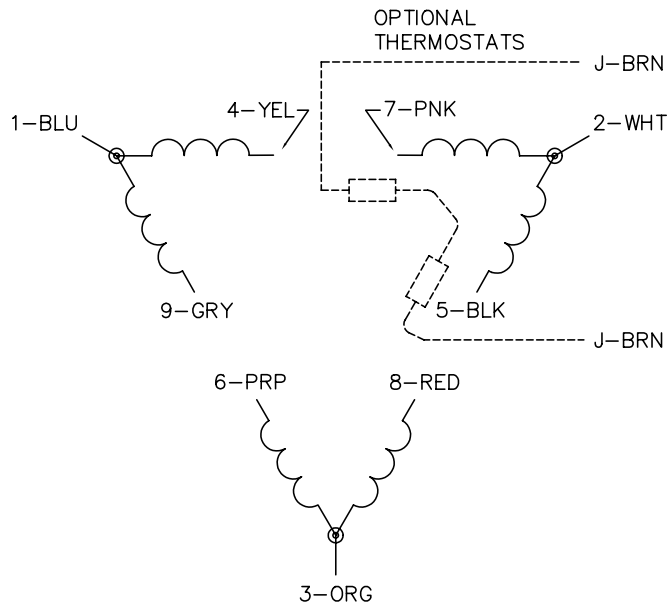
| % of Rated Load | 25 | 50 | 75 | 100 | 125 | 150 | S.F. |
|-----------------|-------|-------|-------|-------|-------|------|-------|
| Power Factor | 45 | 67 | 79 | 84 | 86 | 87 | 85 |
| Efficiency | 89.6 | 92.9 | 93.5 | 93.2 | 92.5 | 91.6 | 92.8 |
| Speed | 1791 | 1784 | 1776 | 1767 | 1758 | 1748 | 1762 |
| Line amperes | 10.17 | 13.79 | 18.39 | 23.89 | 28.78 | 34.6 | 26.82 |

Performance Graph at 460V, 60Hz, 20.0HP Typical performance - Not guaranteed values

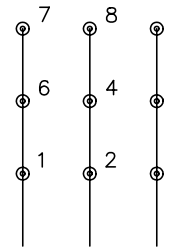




CD0180

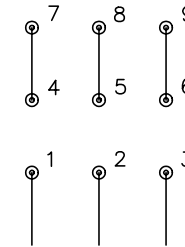


LOW VOLTAGE
(2D)



LINE

HIGH VOLTAGE
(1D)



LINE

NOTES:

1. INTERCHANGE ANY TWO LINE LEADS TO REVERSE ROTATION.
2. OPTIONAL THERMOSTATS ARE PROVIDED WHEN SPECIFIED.
3. ACTUAL NUMBER OF INTERNAL PARALLEL CIRCUITS MAY BE A MULTIPLE OF THOSE SHOWN ABOVE.
4. LEAD COLORS ARE OPTIONAL. LEADS MUST ALWAYS BE NUMBERED AS SHOWN.

| | | | |
|---|---------|------------------------|--------------|
| REV. DESC: REVISE TO SHOW OPTIONAL COLORS | | | |
| REV. LTR: C | BY: JLP | REVISED: 01/21/99 2:28 | TDR: 0171435 |
| 0810D0 | | FILE: AAA00005148 | MDL: - |
| | | MTL: - | |

BALDOR ELECTRIC Co.

3PH, DV, 9 LEADS, DELTA CONNECTION

CD0180