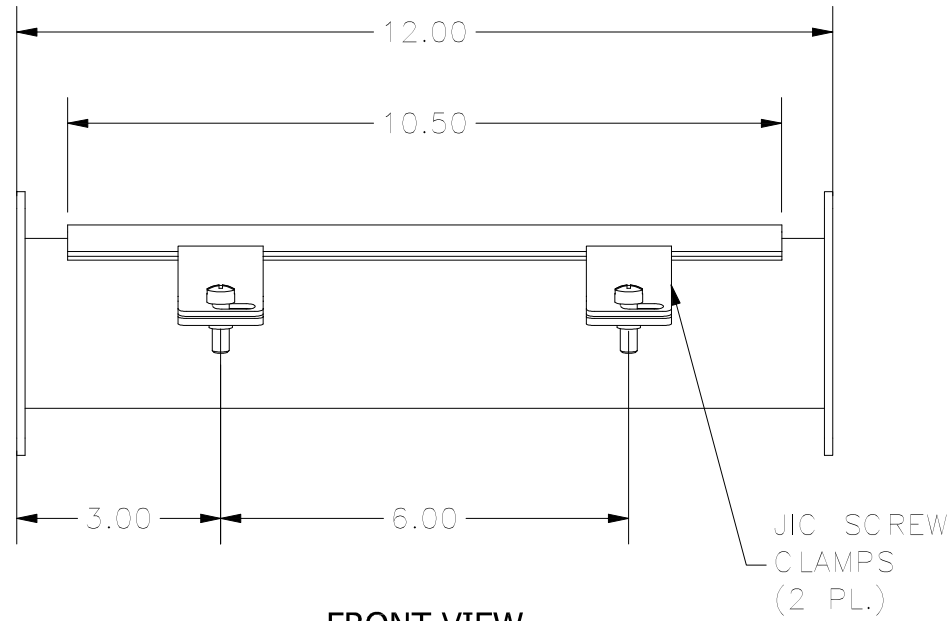
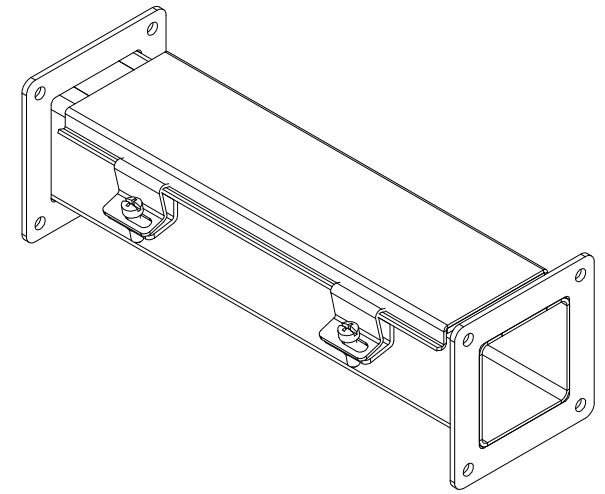


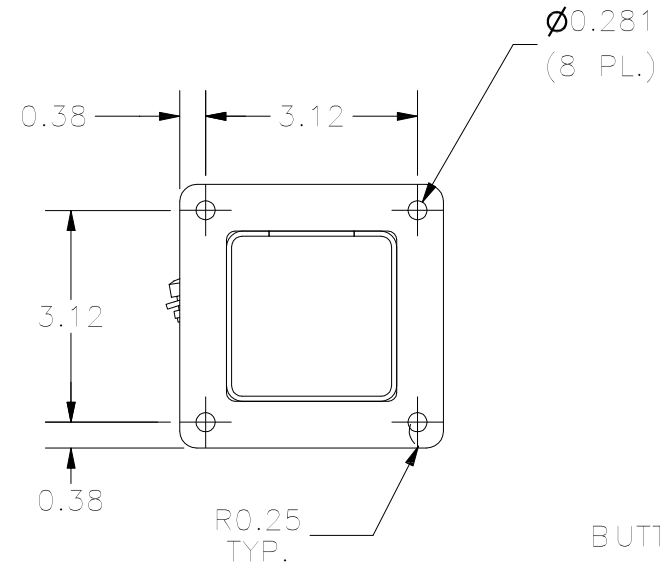
TOP VIEW

0.125



FRONT VIEW

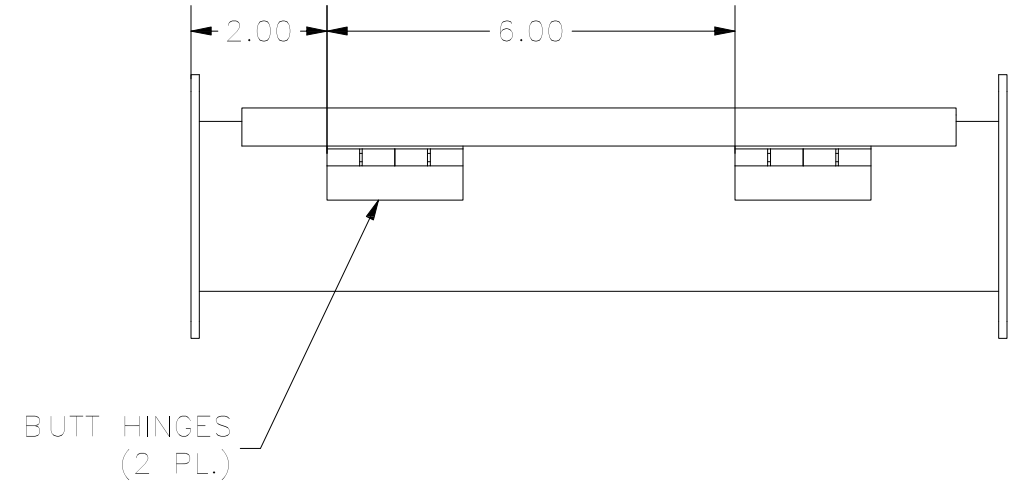
JIC SCREW  
CLAMPS  
(2 PL.)



RIGHT SIDE VIEW

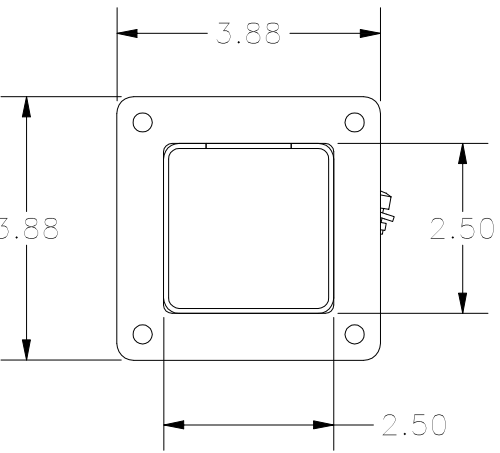
Ø0.281  
(8 PL.)

R0.25  
TYP.

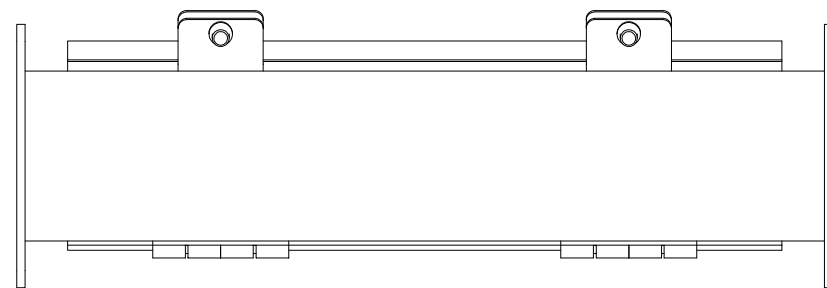


BACK VIEW

BUTT HINGES  
(2 PL.)



LEFT SIDE VIEW



BOTTOM VIEW

PART#: JW21  
(DATA SUBJECT TO CHANGE  
WITHOUT NOTICE)

THIS DRAWING IS PROPERTY OF HUBBELL INC.  
WIEGMANN  
ALL INFORMATION IS PROPRIETARY AND NOT TO BE  
DUPLICATED