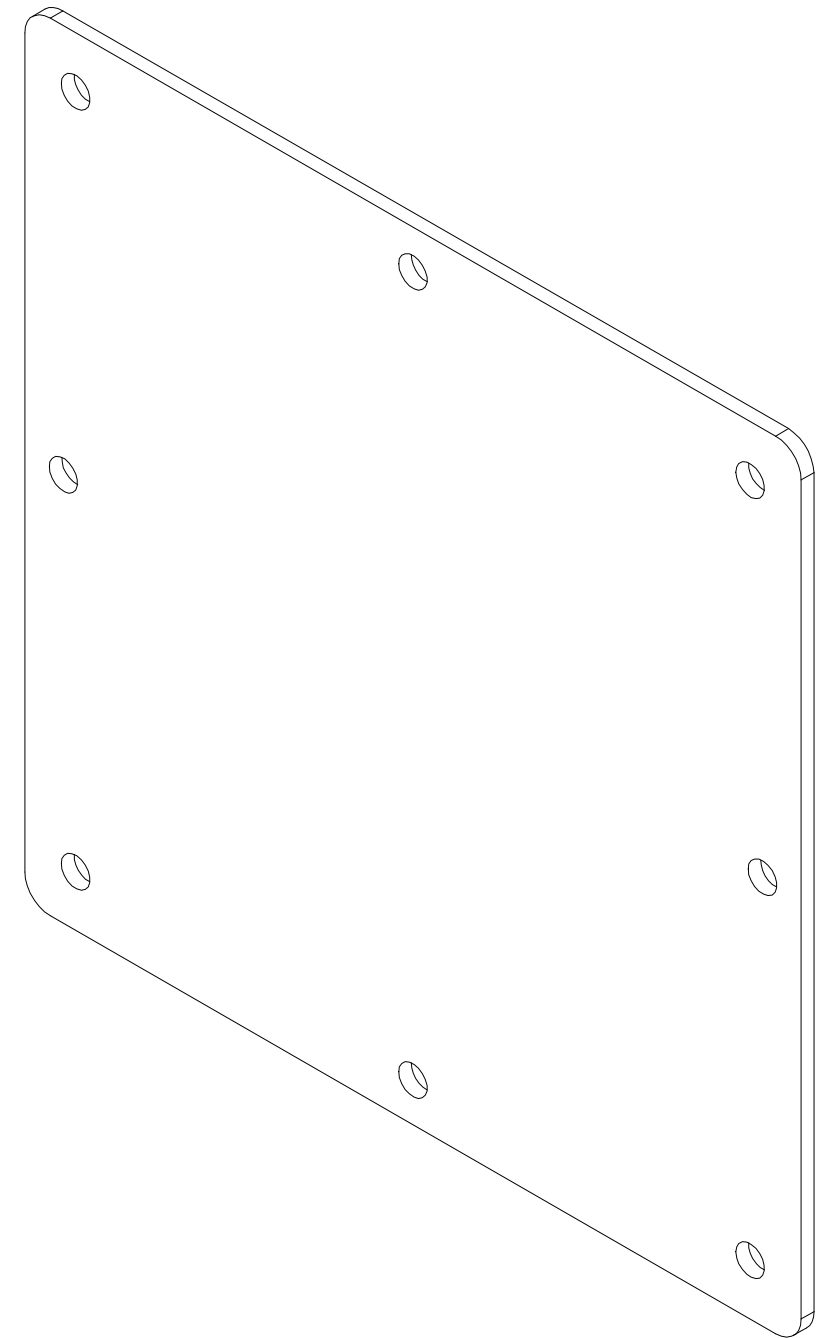
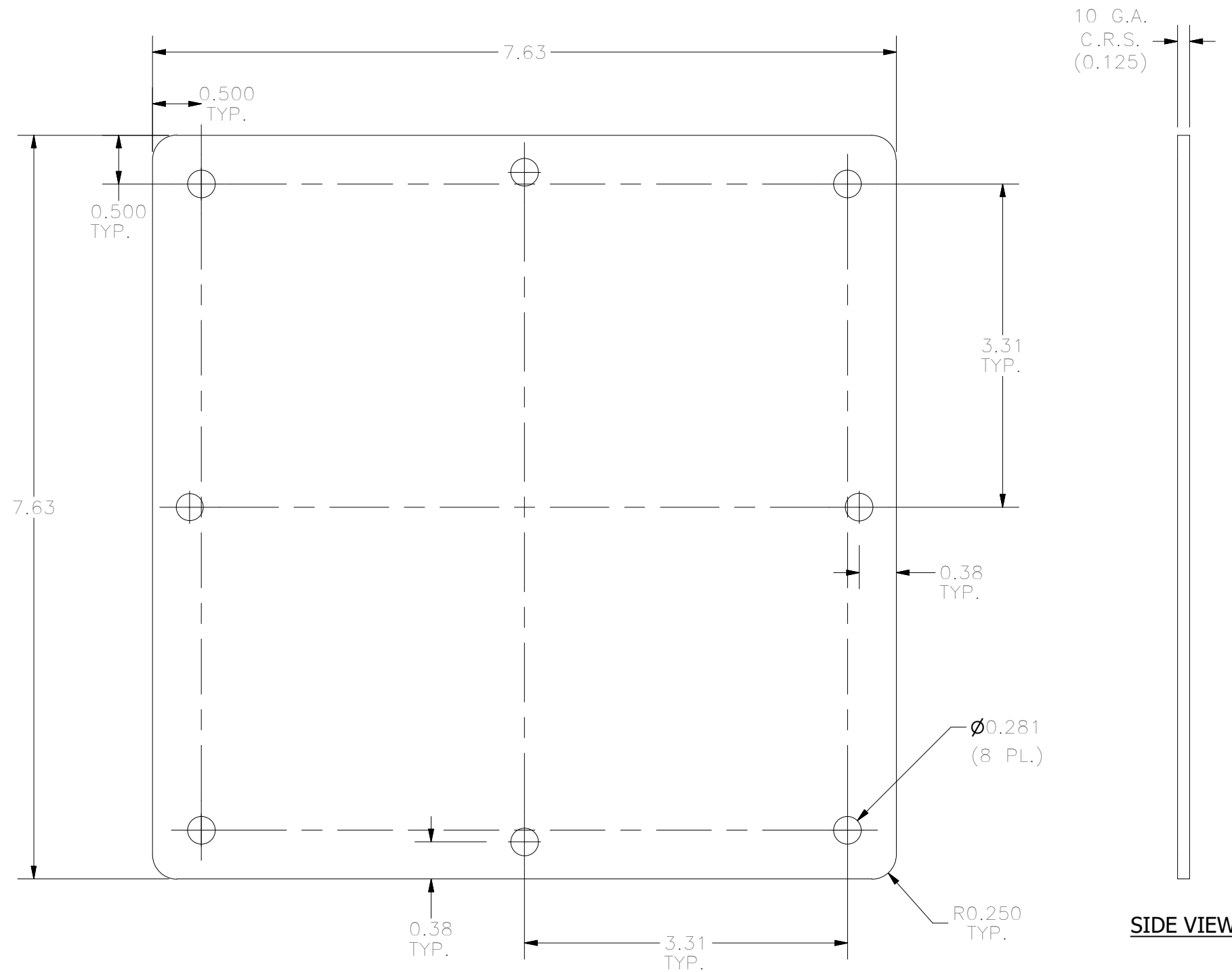


REVISION HISTORY			
REV	DESCRIPTION	BY	DATE
-			



PART#: JWE6  
(DATA SUBJECT TO CHANGE WITHOUT NOTICE)

NOTES:  
1. FABRICATED FROM 10 GA. C.R.S.

THIS DRAWING IS PROPERTY OF HUBBELL INC. WIEGMANN  
ALL INFORMATION IS PROPRIETARY AND NOT TO BE DUPLICATED