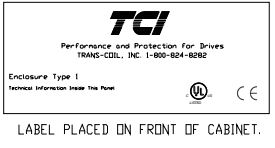
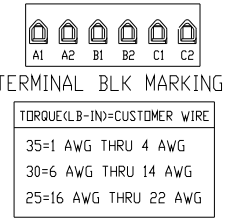
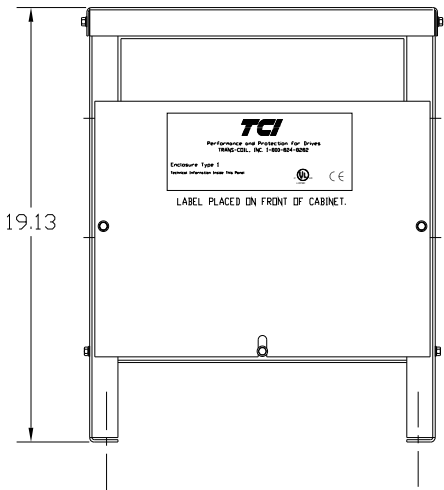
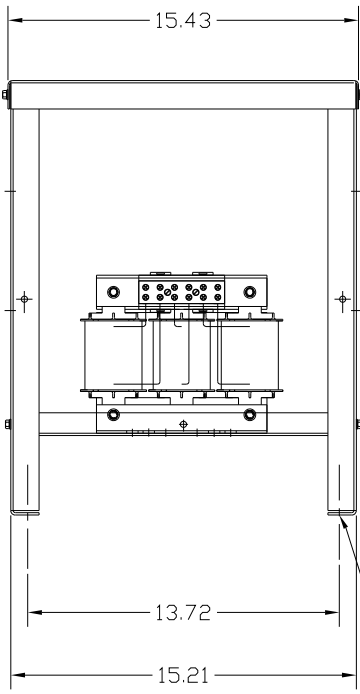


LABEL PLACED ON INSIDE WALL OF CABINET.

RECOMMENDED CONDUIT ENTRANCE AREA - LEFT FRONT SIDE, BOTTOM FRONT, RIGHT FRONT SIDE AND TOP.

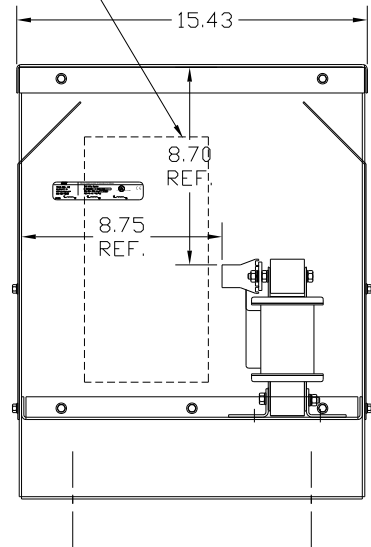


LABEL PLACED ON FRONT OF CABINET.



.44 DIA MOUNTING HOLES 4 PLACES.

CUSTOMER IS RESPONSIBLE FOR INSTALLATION TO MEET ALL LOCAL AND NATIONAL CODES



CATALOG NO	VOLTAGE	NEC MOTOR HP	NEC MOTOR CURRENT	WATTS LOSS	APPROX. WEIGHT-LBS
KDRULF2LE01	480	50	65	114	67
KDRULF4LE01	480	60	77	169	67
KDRULF4HE01	480	40	52	169	67
KDRULF1HE01	480	50	65	191	67
KDRULF2HE01	480	60	77	226	67
KDRULF1PE01	480	50	65	NOTE-1	67
KDRULF2PE01	480	60	77	NOTE-1	67
KDRULF28HE01	208/240	25	74.8	151	67
KDRULF46LE01	575/600	60	62	181	67
KDRULF47LE01	575/600	75	77	194	67
KDRULF44HE01	575/600	40	41	172	67
KDRULF45HE01	575/600	50	52	166	67
KDRULF31PE01	575	60	62	NOTE-1	67
KDRULF32PE01	575	75	77	NOTE-1	67

NOTE 1: WATTS LOSS WILL VARY DUE TO FUNDAMENTAL FREQUENCY, CARRIER FREQUENCY AND OTHER SYSTEM CHARACTERISTICS. KDR DRIVE REACTORS COMPLY WITH THE THERMAL AND ALTITUDE STANDARDS SET FORTH BY NEMA ST20-1992..

NEC MOTOR CURRENTS SHOWN IN THE 208/240 VOLT CHART ARE BASED ON HORSEPOWER AT 208 VOLT. 575/600 VOLT CHART USE THE 575 VOLT CURRENT RATING.

NOTE: A1, A2, B1, B2, C1, C2, TERMINAL BLOCK FOR REFERENCE ONLY.

VENDOR LILLY POWDER COATINGS, INC.
PRODUCT CODE 312E
COLOR PEBBLE GRAY
POWDER TYPE POLYESTER POLYURETHANE

PAINT SUITABLE FOR OUTDOOR APPLICATION PER UL TYPE 3R AND APPLIED PER A UL ACCEPTED DTW2 COATING PROGRAM.

				TOLERANCES (EXCEPT AS NOTED):		7878 N. 86th STREET MILWAUKEE, WI 53224	
				DECIMAL			
				.XX ±.03		KDR FRAME F (TERM BLOCK) TYPE 1 ENCLOSURE (MEDIUM)	
				.XXX±.01			
				FRACTIONAL ± 1/32			
				ANGULAR ± 1/2°		DRN BY DSW DATE 06/21/04 DWG. NO. B KDRULENCL-14DG SCALE TO FIT APRVD. SHT. 1 of 1	
NO	REVISION	DATE	BY				