

BALDOR® • RELIANCE 

Product Information Packet

KEM30003

.25HP,1725RPM,3PH,60HZ,56C,3413M,OPEN,F1

| Part Detail | | | | | | | |
|-------------|--------|-------------|------------|-------------|--------|---------------|------------|
| Revision: | D | Status: | PRD/A | Change #: | | Proprietary: | No |
| Type: | AC | Elec. Spec: | 34WGR137 | CD Diagram: | CD0005 | Mfg Plant: | |
| Mech. Spec: | 34-274 | Layout: | 34LY0274 | Poles: | 04 | Created Date: | 10-08-2014 |
| Base: | N | Eff. Date: | 07-24-2018 | Leads: | 9#18 | | |

| Specs | | | |
|---------------------------------|-------------------------|--------------------------------|-----------------|
| Catalog Number: | KEM30003 | Insulation Class: | B |
| Enclosure: | OPEN | Inverter Code: | Not Inverter |
| Frame: | 56C | KVA Code: | M |
| Frame Material: | Steel | Lifting Lugs: | No Lifting Lugs |
| Output @ Frequency: | .250 HP @ 60 HZ | Locked Bearing Indicator: | Locked Bearing |
| Synchronous Speed @ Frequency: | 1800 RPM @ 60 HZ | Motor Lead Quantity/Wire Size: | 9 @ 18 AWG |
| Voltage @ Frequency: | 460.0 V @ 60 HZ | Motor Lead Exit: | Ko Box |
| | 230.0 V @ 60 HZ | Motor Lead Termination: | Flying Leads |
| XP Class and Group: | None | Motor Type: | 3413M |
| XP Division: | Not Applicable | Mounting Arrangement: | F1 |
| Agency Approvals: | CSA | Power Factor: | 62 |
| | UR | Product Family: | General Purpose |
| Auxillary Box: | No Auxillary Box | Pulley End Bearing Type: | Ball |
| Auxillary Box Lead Termination: | None | Pulley Face Code: | C-Face |
| Base Indicator: | No Mounting | Pulley Shaft Indicator: | Standard |
| Bearing Grease Type: | Polyrex EM (-20F +300F) | Rodent Screen: | None |
| Blower: | None | RoHS Status: | ROHS COMPLIANT |
| Current @ Voltage: | .500 A @ 460.0 V | Shaft Extension Location: | Pulley End |

| | | | |
|---------------------------------------|---------------------------|------------------------------------|---------------------|
| | 1.000 A @ 230.0 V | Shaft Ground Indicator: | No Shaft Grounding |
| | 1.300 A @ 208.0 V | Shaft Rotation: | Reversible |
| Design Code: | B | Shaft Slinger Indicator: | No Slinger |
| Drip Cover: | Drip Cover | Speed Code: | Single Speed |
| Duty Rating: | CONT | Motor Standards: | NEMA |
| Electrically Isolated Bearing: | Not Electrically Isolated | Starting Method: | Direct on line |
| Feedback Device: | NO FEEDBACK | Thermal Device - Bearing: | NONE (OLD) |
| Front Face Code: | Drip Cover Mounting | Thermal Device - Winding: | None |
| Front Shaft Indicator: | None | Vibration Sensor Indicator: | No Vibration Sensor |
| Heater Indicator: | No Heater | Winding Thermal 1: | None |
| | | Winding Thermal 2: | None |

| Nameplate NP3155L | | | | | | | | | | | | |
|-------------------|---------------|--|--|--|--|------|------|--|----------------|-----|----|---|
| CAT.NO. | KEM30003 | | | | | | | | | | | |
| SPEC. | 34-0274R137G1 | | | | | | | | | | | |
| HP | .25 | | | | | | | | | | | |
| VOLTS | 230/460 | | | | | | | | | | | |
| AMP | 1/5 | | | | | | | | | | | |
| RPM | 1725 | | | | | | | | | | | |
| FRAME | 56C | | | | | HZ | 60 | | | PH | 3 | |
| SER.F. | 1.35 | | | | | CODE | M | | DES | B | CL | B |
| F.L. AVG. EFF. | 69.5 | | | | | PF | 62 | | | | | |
| RATING | 40C AMB-CONT | | | | | | | | | | | |
| CC | | | | | | | | | USABLE AT 208V | 1.3 | | |
| DE | 6203 | | | | | ODE | 6203 | | | | | |
| ENCL | OPEN | | | | | SN | | | | | | |
| | SFA 1.2/6 | | | | | | | | | | | |

| Parts List | | |
|---------------|--|----------|
| Part Number | Description | Quantity |
| SA288164 | SA 34-0274R137G1 | 1.000 EA |
| RA274362 | RA 34-0274R137G1 | 1.000 EA |
| NS2512A01 | INSULATOR, CONDUIT BOX X | 1.000 EA |
| 34CB3002A | CB CAST W/.88 DIA HOLE | 1.000 EA |
| 51XB1016A07 | 10-16 X 7/16 HXWSSLD SERTYB | 2.000 EA |
| 11XW1032G06 | 10-32 X .38, TAPTITE II, HEX WSHR SLTD U | 1.000 EA |
| 34EP3200A03SP | FR ENDPLATE, MACH | 1.000 EA |
| HW5100A03 | WAVY WASHER (W1543-017) | 1.000 EA |
| 34EP3400A05 | PU ENDPLATE, MACH | 1.000 EA |
| 34AD2000 | BAFFLE PLATE, STAMPED | 1.000 EA |
| 60XW0632A06 | 6-32 X 3/8 TORX HEAD SCREW TAPTITE II | 4.000 EA |
| 51XN1032A20 | 10-32 X 1 1/4 HX WS SL SR | 2.000 EA |
| 34FH4000A11 | DRIP COVER, STAMPED,PRIMER | 1.000 EA |
| 51XW1032A06 | 10-32 X .38, TAPTITE II, HEX WSHR SLTD S | 3.000 EA |
| 34CB4517 | CB LID 4 MTG HOLES .22 DIA STAMPED, FOR | 1.000 EA |
| 51XW0832A07 | 8-32 X .44, TAPTITE II, HEX WSHR SLTD SE | 4.000 EA |
| HW2501D13 | KEY, 3/16 SQ X 1.375 | 1.000 EA |
| HA7000A04 | KEY RETAINER 0.625 DIA SHAFTS | 1.000 EA |
| 85XU0407S04 | 4X1/4 U DRIVE PIN STAINLESS | 2.000 EA |
| HA3100A12 | THRUBOLT 10-32 X 7.375 | 4.000 EA |
| MG1000Y03 | MUNSELL 2.53Y 6.70/ 4.60, GLOSS 20, | 0.014 GA |
| MN416A01 | TAG-INSTAL-MAINT no wire (1200/bx) 5/18 | 1.000 EA |
| LB1119N | WARNING LABEL | 1.000 EA |
| LC0005 | CONN.DIA.,TY M,9-LD,DUAL VOLT,REVERSING | 1.000 EA |

| Parts List (continued) | | |
|-------------------------------|--|-----------------|
| Part Number | Description | Quantity |
| NP3155L | ALUM SUPER-E UL CSA CC "SEMS" | 1.000 EA |
| 36PA1000 | PKG GRP, PRINT PK1016A06 | 1.000 EA |
| PK3083T | STYROFOAM PACKING CRADLE | 1.000 EA |
| PK3088 | MICROFOAM, 8"X"8 PERF. SHEETS 5,400/RL | 1.000 EA |

AC Induction Motor Performance Data

Record # 47473 - Typical performance - not guaranteed values

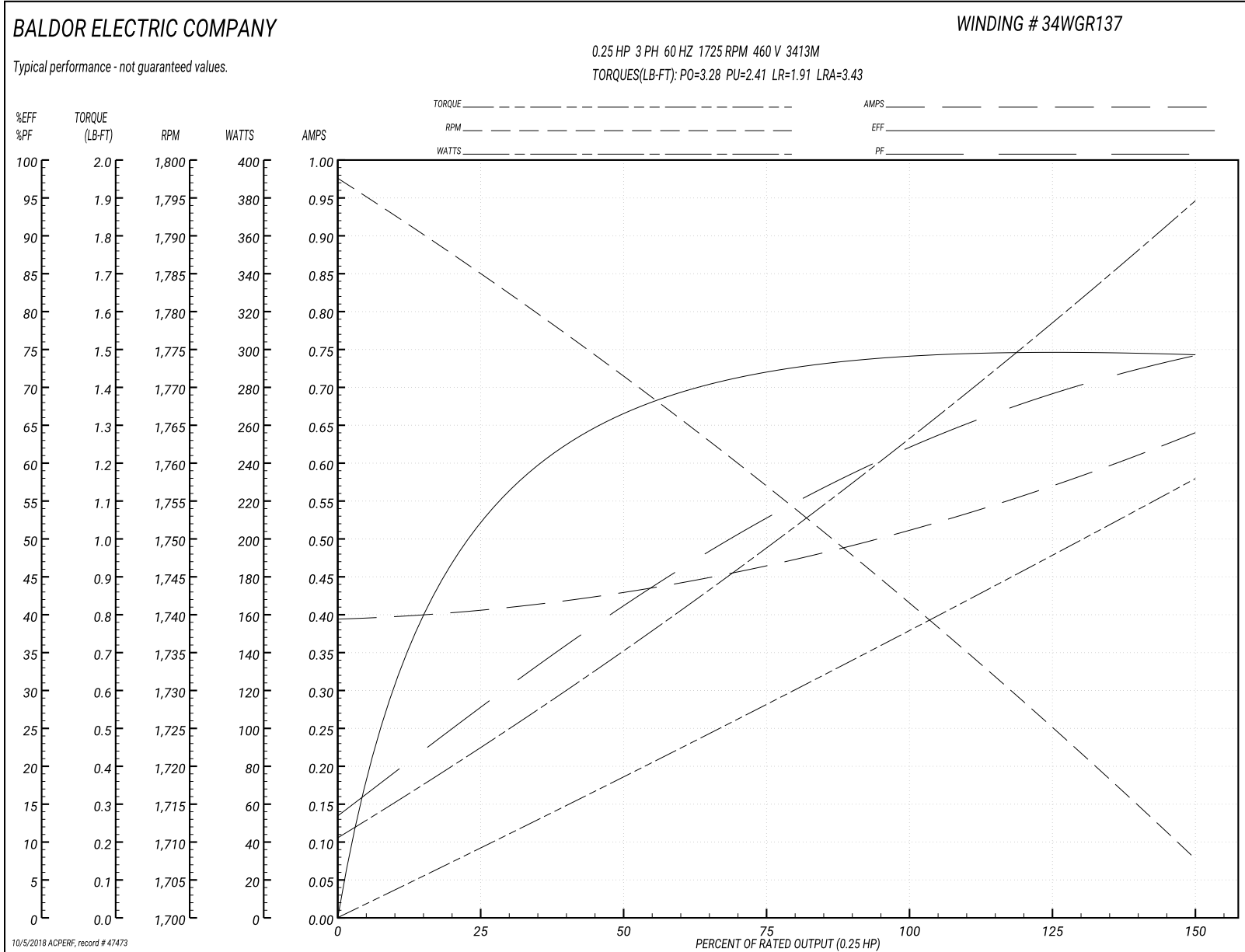
| | | |
|-------------------------------|--------------------|------------------------|
| Winding: 34WGR137-R002 | Type: 3413M | Enclosure: OPEN |
|-------------------------------|--------------------|------------------------|

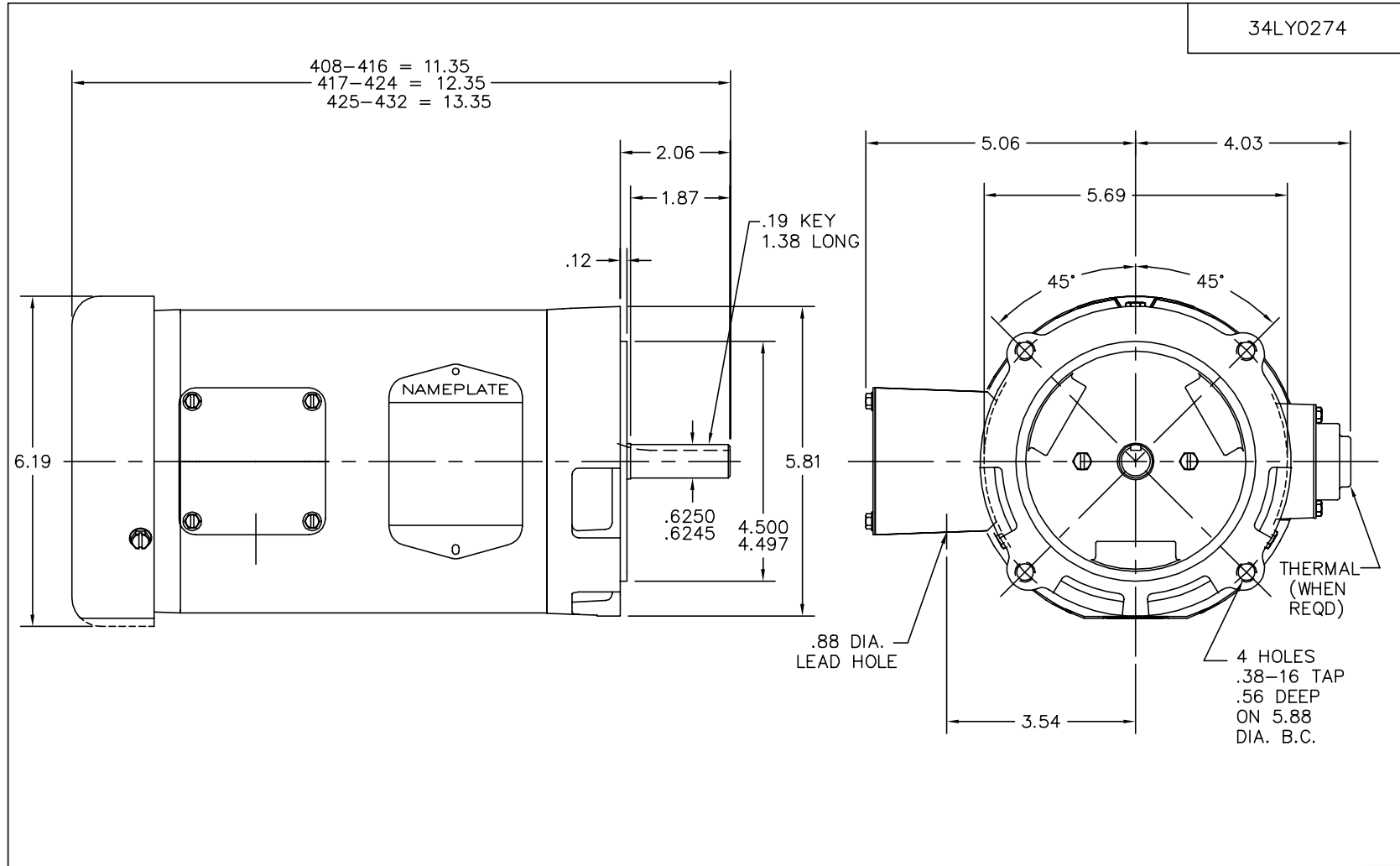
| Nameplate Data | | | | 460 V, 60 Hz: High Voltage Connection | |
|-----------------------|--------------|--------------|----|--|--------------------------|
| Rated Output (HP) | .25 | | | Full Load Torque | 0.76 LB-FT |
| Volts | 230/460 | | | Start Configuration | direct on line |
| Full Load Amps | 1/5 | | | Breakdown Torque | 3.28 LB-FT |
| R.P.M. | 1725 | | | Pull-up Torque | 2.41 LB-FT |
| Hz | 60 | Phase | 3 | Locked-rotor Torque | 1.91 LB-FT |
| NEMA Design Code | B | KVA Code | M | Starting Current | 3.43 A |
| Service Factor (S.F.) | 1.35 | | | No-load Current | 0.395 A |
| NEMA Nom. Eff. | 69.5 | Power Factor | 62 | Line-line Res. @ 25°C | 60.2 Ω |
| Rating - Duty | 40C AMB-CONT | | | Temp. Rise @ Rated Load | 16°C |
| S.F. Amps | 1.2/6 | | | Temp. Rise @ S.F. Load | 20°C |
| | | | | Locked-rotor Power Factor | 63 |
| | | | | Rotor inertia | 0.031 LB-FT ² |

Load Characteristics 460 V, 60 Hz, 0.25 HP

| % of Rated Load | 25 | 50 | 75 | 100 | 125 | 150 | S.F. |
|-----------------|-------|-------|-------|-------|-------|------|-------|
| Power Factor | 28 | 41 | 53 | 62 | 69 | 74 | 71 |
| Efficiency | 52.3 | 65.9 | 72.5 | 74.1 | 74.8 | 74.2 | 74.6 |
| Speed | 1783 | 1771 | 1757 | 1742 | 1726 | 1707 | 1718 |
| Line amperes | 0.405 | 0.428 | 0.467 | 0.514 | 0.568 | 0.64 | 0.597 |

Performance Graph at 460V, 60Hz, 0.25HP Typical performance - Not guaranteed values





CUSTOMER IS RESPONSIBLE FOR DETERMINING THAT MOTOR PERFORMANCE IS SUITABLE IN THE APPLICATION.

| | | | |
|--|---------|------------------------------|---------------|
| REV. DESC: CORRECTED LAYERING, NO DIMENSIONAL CHANGES. | | | |
| REV. LTR: F | BY: DMB | REVISED: 15:13:20 05/20/2004 | TDR: 332801 |
| 34LY0274 | | FILE: AAA00026287 | REF: 34LY0274 |
| | | MTL: - | |

BALDOR ELECTRIC Co.

VERT MODEL 34M NEMA 56C OPEN MTR W/DRIP COVER

34LY0274

CD0005



LOW VOLTAGE
(2Y)



LINE

HIGH VOLTAGE
(1Y)



LINE

NOTES:

1. INTERCHANGE ANY TWO LINE LEADS TO REVERSE ROTATION.
2. OPTIONAL THERMOSTATS ARE PROVIDED WHEN SPECIFIED.
3. ACTUAL NUMBER OF INTERNAL PARALLEL CIRCUITS MAY BE A MULTIPLE OF THOSE SHOWN ABOVE.
4. LEAD COLORS ARE OPTIONAL. LEADS MUST ALWAYS BE NUMBERED AS SHOWN.

REV. DESC: REVISE TO SHOW OPTIONAL COLORS

REV. LTR: E BY: JLP

REVISED: 01/19/99 10:15

TDR: 0171435

900003

FILE: AAA00005140

MDL: -

MTL: -

BALDOR ELECTRIC Co.

3PH, DV, 9 LEADS

CD0005