

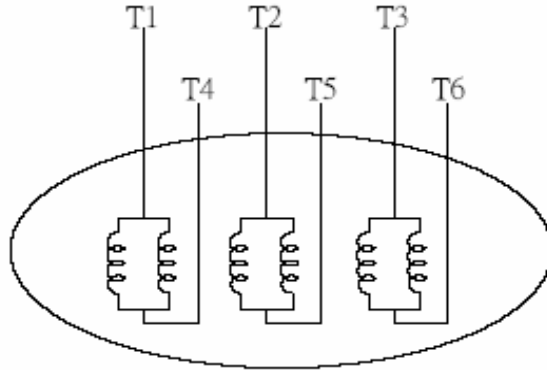
DATE:

May 1, 2014

# CONNECTION DIAGRAM

CATALOG NO.:

**KG1252**



### SCHEMATIC DIAGRAM - 6 LEADS

VOLTAGE	CONNECTION	ROTATION (VIEWED FROM DRIVE END)
<b>2300</b>	<p>Diagram for 2300V: Three supply lines L1, L2, and L3 are shown at the top. The motor terminals are connected in a star configuration. T1 is connected to L1, T2 to L2, and T3 to L3. T4, T5, and T6 are the other ends of the windings, which meet at a central point.</p>	<p>A curved arrow indicating clockwise rotation when viewed from the drive end.</p>
<b>4160</b>	<p>Diagram for 4160V: Three supply lines L1, L2, and L3 are shown at the top. The motor terminals are connected in a delta configuration. T1 is connected to L1, T2 to L2, and T3 to L3. T4, T5, and T6 are the other ends of the windings, which are connected in a closed loop.</p>	<p>A curved arrow indicating clockwise rotation when viewed from the drive end.</p>



DWG. NO.

**3A061H475**