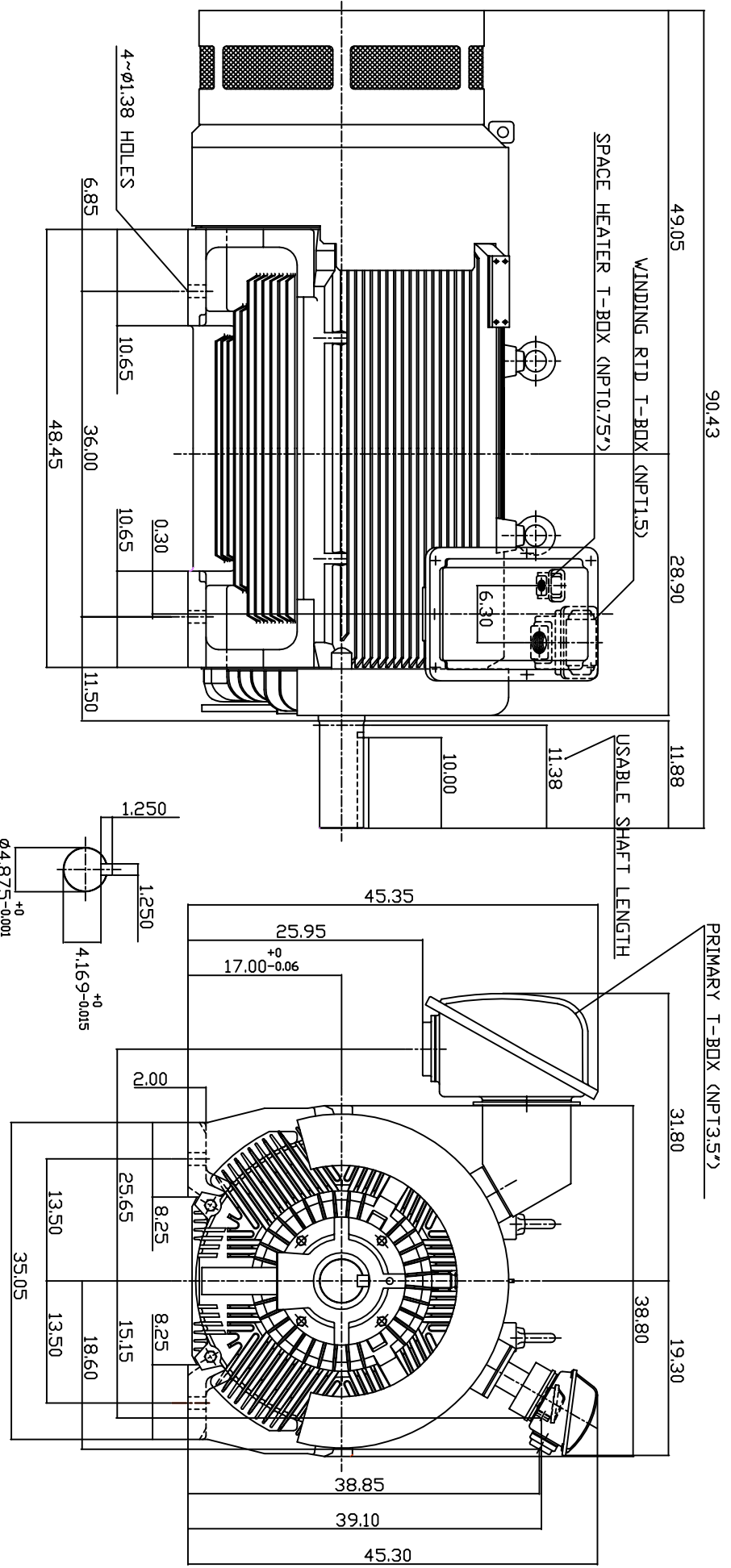


| TYPE | OUTPUT | | POLE | TIME RATING | VOLTAGE | Hz | SYNSPEED |
|--------|--------|-----|------|-------------|-----------|----|----------|
| | HP. | KW. | | | | | |
| AEHGTK | 700 | 522 | 6 | CDNT. | 2300/4160 | 60 | 1200 |

TOTALLY ENCLOSED FAN-COOLED TYPE, SQUIRREL-CAGE ROTOR



- NOTE: 1. DIMENSIONS IN INCH.
- FRAME NO. 6808C
 - F CLASS INSULATION, S.F.1.15
 - FOR BELT DRIVE APPLICATIONS
 - WITH SPACE HEATER 120 VOLT SINGLE PHASE 300 WATTS
 - 100 OHM PLATINUM WINDING RTD'S 2/PHASE
 - BEARING SIZE: DRIVE END: NU326 NDN-DRIVE END: 6322
 - MOTOR APPROX. WEIGHT: 7550 LBS

TW-66C

| | | |
|-------|--------|-------------|
| DWN. | W.LLIN | APR-17-2003 |
| CHKD. | W.LLIN | APR-17-2003 |
| APPD. | C.WANG | APR-17-2003 |

| | | |
|-------------|-------------|-------------------------|
| DATE | MAY 6, 2004 | OUTLINE DIMENSIONS |
| CATALOG NO. | KG7006R | 3-PHASE INDUCTION MOTOR |

Westinghouse
DWG NO. 3A040T4622
REV: 00