

BALDOR® • RELIANCE 

Product Information Packet

KL1200

.17HP, 1725RPM, 1PH, 60HZ, 56C, 3408L, OPEN, F1

Part Detail							
Revision:	AA	Status:	PRD/A	Change #:		Proprietary:	No
Type:	AC	Elec. Spec:	34WGW020	CD Diagram:	CD0001	Mfg Plant:	
Mech. Spec:	34F011	Layout:	34LYF011	Poles:	04	Created Date:	
Base:	N	Eff. Date:	08-23-2018	Leads:	6#18		

Specs			
Catalog Number:	KL1200	Insulation Class:	B
Enclosure:	OPEN	Inverter Code:	Not Inverter
Frame:	56C	KVA Code:	M
Frame Material:	Steel	Lifting Lugs:	No Lifting Lugs
Output @ Frequency:	.170 HP @ 60 HZ	Locked Bearing Indicator:	Locked Bearing
Synchronous Speed @ Frequency:	1800 RPM @ 60 HZ	Motor Lead Quantity/Wire Size:	6 @ 18 AWG
Voltage @ Frequency:	230.0 V @ 60 HZ	Motor Lead Exit:	Ko Box
	115.0 V @ 60 HZ	Motor Lead Termination:	Flying Leads
XP Class and Group:	None	Motor Type:	3408L
XP Division:	Not Applicable	Mounting Arrangement:	F1
Agency Approvals:	CSA	Power Factor:	57
	UR	Product Family:	General Purpose
Auxillary Box:	No Auxillary Box	Pulley End Bearing Type:	Ball
Auxillary Box Lead Termination:	None	Pulley Face Code:	C-Face
Base Indicator:	No Mounting	Pulley Shaft Indicator:	Standard
Bearing Grease Type:	Polyrex EM (-20F +300F)	Rodent Screen:	None
Blower:	None	RoHS Status:	ROHS COMPLIANT
Current @ Voltage:	1.900 A @ 230.0 V	Shaft Extension Location:	Pulley End

	2.300 A @ 208.0 V	Shaft Ground Indicator:	No Shaft Grounding
	3.800 A @ 115.0 V	Shaft Rotation:	Reversible
Design Code:	N	Shaft Slinger Indicator:	No Slinger
Drip Cover:	Drip Cover	Speed Code:	Single Speed
Duty Rating:	CONT	Motor Standards:	NEMA
Electrically Isolated Bearing:	Not Electrically Isolated	Starting Method:	Direct on line
Feedback Device:	NO FEEDBACK	Thermal Device - Bearing:	NONE (OLD)
Front Face Code:	Drip Cover Mounting	Thermal Device - Winding:	None
Front Shaft Indicator:	None	Vibration Sensor Indicator:	No Vibration Sensor
Heater Indicator:	No Heater	Winding Thermal 1:	None
		Winding Thermal 2:	None

Nameplate NP1256L										
CAT.NO.	KL1200									
SPEC.	34F11W20									
HP	.17									
VOLTS	115/230									
AMP	3.8/1.9									
RPM	1725									
FRAME	56C				HZ	60			PH	1
SER.F.	1.35		CODE	M	DES	N		CLASS	B	
NEMA-NOM-EFF	49		PF	57						
RATING	40C AMB-CONT									
CC								USABLE AT 208V	2.3	
DE	6203				ODE	6203				
ENCL	OPEN		SN							
	SFA 4.4/2.2									

Parts List		
Part Number	Description	Quantity
SA009973	SA 34F11W20	1.000 EA
RA006418	RA 34F11W20	1.000 EA
NS2512A01	INSULATOR, CONDUIT BOX X	1.000 EA
34CB3002A	CB CAST W/.88 DIA HOLE	1.000 EA
51XB1016A07	10-16 X 7/16 HXWSSLD SERTYB	2.000 EA
11XW1032G06	10-32 X .38, TAPTITE II, HEX WSHR SLTD U	1.000 EA
51XW0832A07	8-32 X .44, TAPTITE II, HEX WSHR SLTD SE	2.000 EA
SP1006A01	TERM. BOARD, MODE 35 SW X H-23655	1.000 EA
34EP3210A03SP	FR ENDPLATE, MACH	1.000 EA
NS2500A01	INSULATOR, AUTO THER PROT	1.000 EA
34CB4800SP	CAPACITOR COVER, STAMPED PRIMED	1.000 EA
51XB1016A05	10-16X5/16HX WA SL SR TYB (F/S)	2.000 EA
HW5100A03	WAVY WASHER (W1543-017)	1.000 EA
34EP3401A01SP	PU ENDPLATE, MACH	1.000 EA
51XN1032A20	10-32 X 1 1/4 HX WS SL SR	2.000 EA
34AD2000	BAFFLE PLATE, STAMPED	1.000 EA
60XW0632A06	6-32 X 3/8 TORX HEAD SCREW TAPTITE II	4.000 EA
34FH4000A11	DRIP COVER, STAMPED,PRIMER	1.000 EA
51XW1032A06	10-32 X .38, TAPTITE II, HEX WSHR SLTD S	3.000 EA
34CB4517	CB LID 4 MTG HOLES .22 DIA STAMPED, FOR	1.000 EA
51XW0832A07	8-32 X .44, TAPTITE II, HEX WSHR SLTD SE	4.000 EA
HW2501D13	KEY, 3/16 SQ X 1.375	1.000 EA
HA7000A04	KEY RETAINER 0.625 DIA SHAFTS	1.000 EA
MG1000G27	MED CHARCOAL METALLIC GREY 400-0096	0.014 GA

Parts List (continued)		
Part Number	Description	Quantity
85XU0407S04	4X1/4 U DRIVE PIN STAINLESS	2.000 EA
EC1130A02SP	ELEC CAP, 130-156 MFD, 125V, 1.48D X 3.3	1.000 EA
SP5056A24	34 TYPE L STATIONARY SWITCH W/ LEADS	1.000 EA
HA3100A12	THRUBOLT 10-32 X 7.375	4.000 EA
LC0001A01	CONN LABEL / WARNING LABEL (LC0001 / LB1	1.000 EA
NP1256L	ALUM UL CSA CC INDUSTRIAL MOTOR A60	1.000 EA
34PA1002	PKG GRP, PRINT PK1001A01	1.000 EA
PK3083T	STYROFOAM PACKING CRADLE	1.000 EA
PK3088	MICROFOAM, 8"X"8 PERF. SHEETS 5,400/RL	1.000 EA

AC Induction Motor Performance Data
Record # 6851 - Typical performance - not guaranteed values

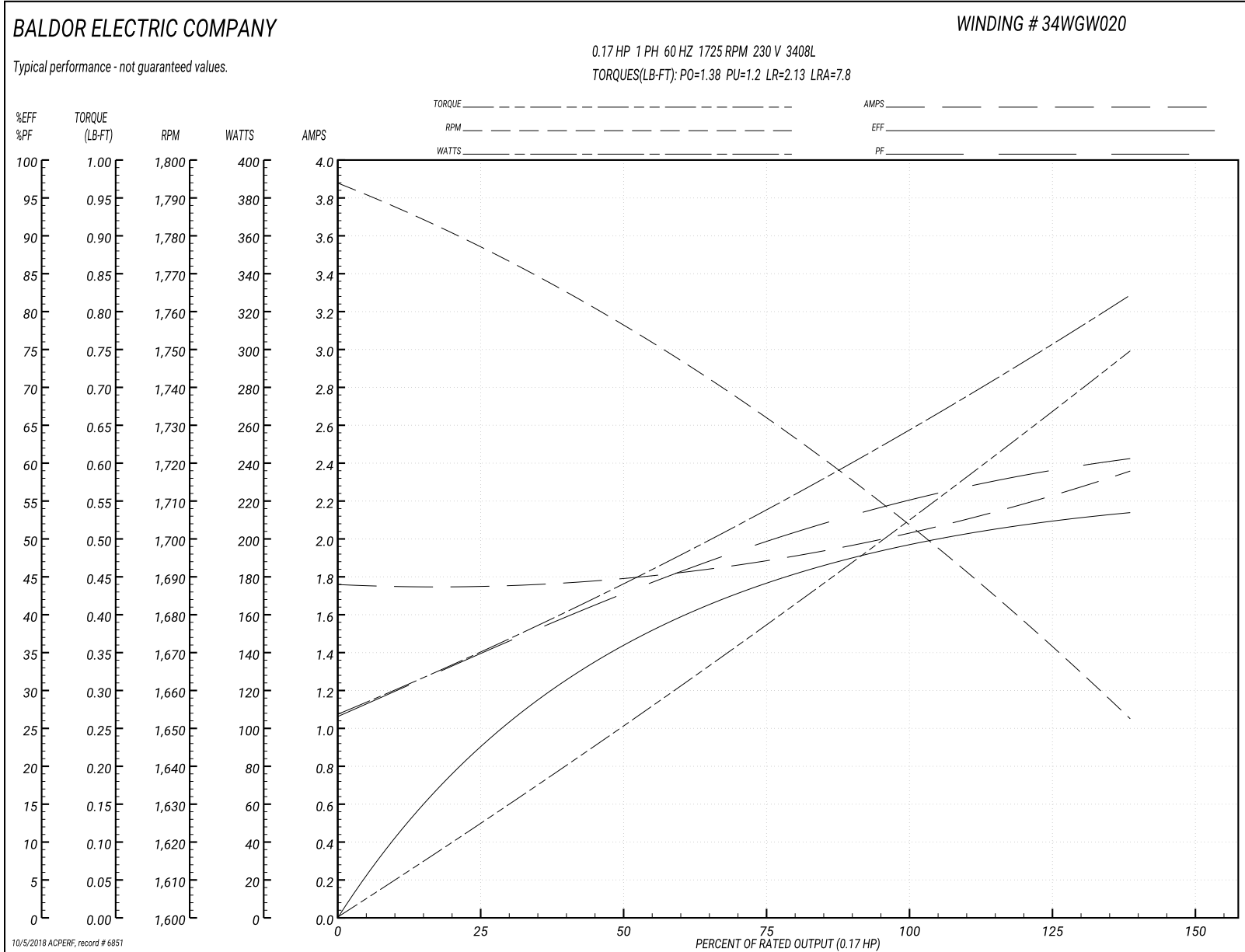
Winding: 34WGW020-R001	Type: 3408L	Enclosure: TEFC
-------------------------------	--------------------	------------------------

Nameplate Data				230 V, 60 Hz: High Voltage Connection	
Rated Output (HP)	.17			Full Load Torque	0.5 LB-FT
Volts	115/230			Start Configuration	direct on line
Full Load Amps	3.8/1.9			Breakdown Torque	1.38 LB-FT
R.P.M.	1725			Pull-up Torque	1.2 LB-FT
Hz	60	Phase	1	Locked-rotor Torque	2.13 LB-FT
NEMA Design Code	N	KVA Code	M	Starting Current	7.8 A
Service Factor (S.F.)	1.35			No-load Current	1.75 A
NEMA Nom. Eff.	49	Power Factor	57	Line-line Res. @ 25°C	13.7 Ω A Ph 10.8 Ω B Ph
Rating - Duty	40C AMB-CONT			Temp. Rise @ Rated Load	50°C
S.F. Amps	4.4/2.2			Temp. Rise @ S.F. Load	61°C

Load Characteristics 230 V, 60 Hz, 0.17 HP

% of Rated Load	25	50	75	100	125	150	S.F.
Power Factor	32	41	49	57	63	69	67
Efficiency	21	35	45	49	52	53	53
Speed	1775	1760	1730	1710	1685	1650	1665
Line amperes	1.75	1.8	1.9	2	2.1	2.4	2.2

Performance Graph at 230V, 60Hz, 0.17HP Typical performance - Not guaranteed values



AC Induction Motor Performance Data

Record # 69691 - Typical performance - not guaranteed values

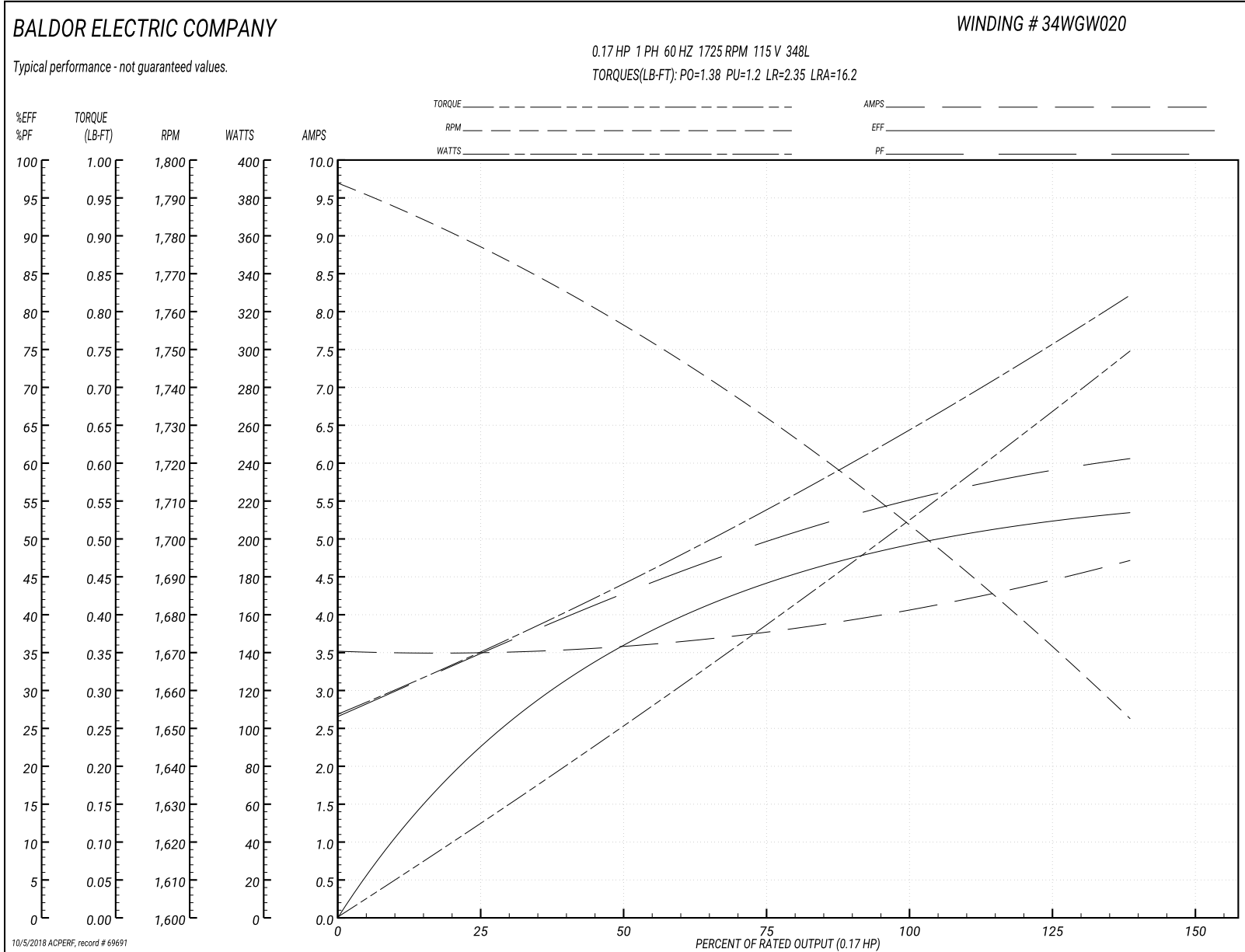
Winding: 34WGW020-R001	Type: 348L	Enclosure: TEFC
-------------------------------	-------------------	------------------------

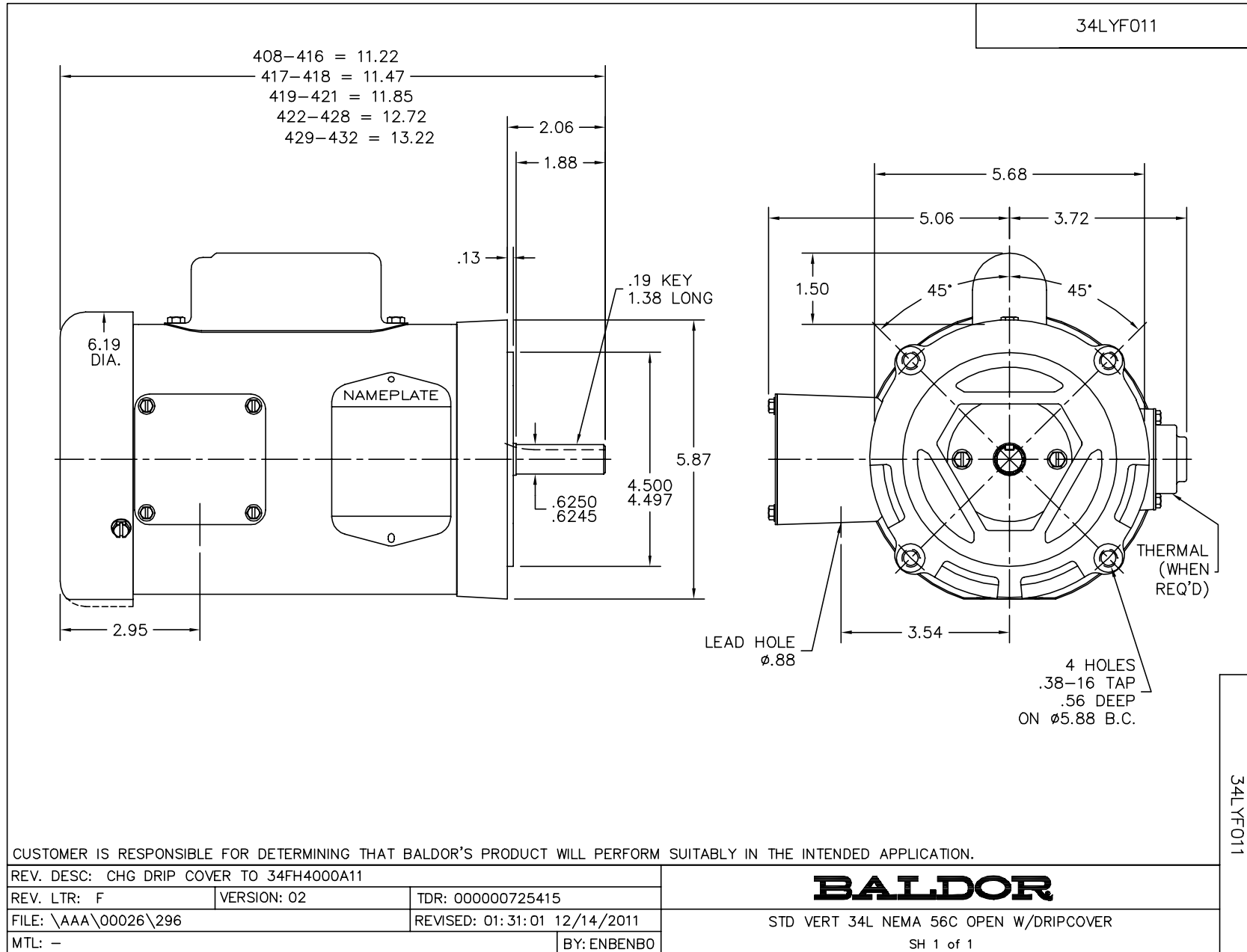
Nameplate Data				115 V, 60 Hz: Low Voltage Connection	
Rated Output (HP)	.17			Full Load Torque	0.5 LB-FT
Volts	115/230			Start Configuration	direct on line
Full Load Amps	3.8/1.9			Breakdown Torque	1.38 LB-FT
R.P.M.	1725			Pull-up Torque	1.2 LB-FT
Hz	60	Phase	1	Locked-rotor Torque	2.35 LB-FT
NEMA Design Code	N	KVA Code	M	Starting Current	16.2 A
Service Factor (S.F.)	1.35			No-load Current	3.5 A
NEMA Nom. Eff.	49	Power Factor	57	Line-line Res. @ 25°C	3.23 Ω A Ph 10.5 Ω B Ph
Rating - Duty	40C AMB-CONT			Temp. Rise @ Rated Load	50°C
S.F. Amps	4.4/2.2			Temp. Rise @ S.F. Load	58°C
				Locked-rotor Power Factor	95
				Rotor inertia	0.019 LB-FT ²

Load Characteristics 115 V, 60 Hz, 0.17 HP

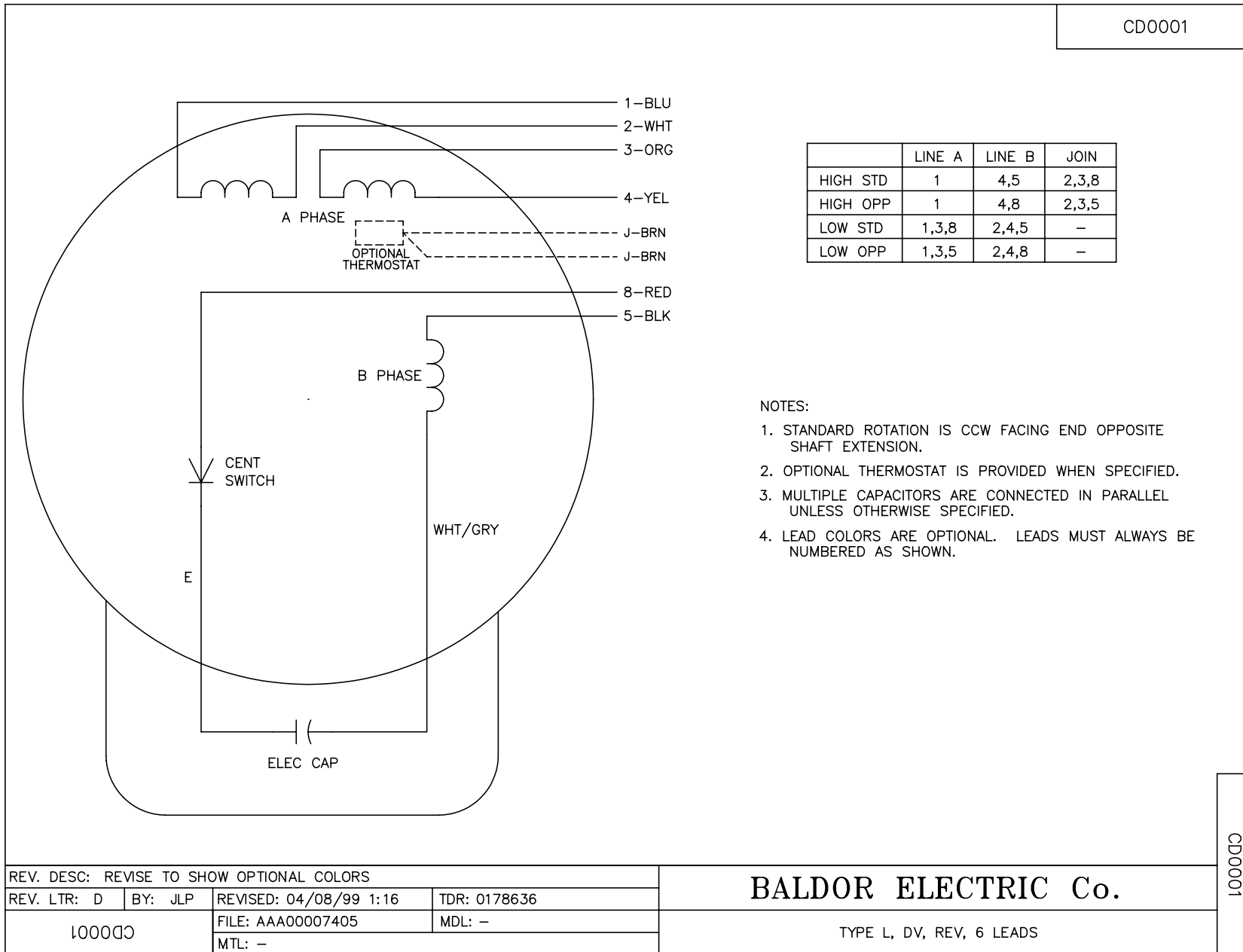
% of Rated Load	25	50	75	100	125	150	S.F.
Power Factor	37	43	47	54	60	60	60
Efficiency	21	34.9	44.9	49	51.9	52.9	52.3
Speed	1775	1760	1730	1710	1685	1650	1671
Line amperes	3.5	3.6	3.8	4	4.2	4.8	4.44

Performance Graph at 115V, 60Hz, 0.17HP Typical performance - Not guaranteed values





CD0001



REV. DESC: REVISE TO SHOW OPTIONAL COLORS			
REV. LTR: D	BY: JLP	REVISED: 04/08/99 1:16	TDR: 0178636
100000		FILE: AAA00007405	MDL: -
		MTL: -	

BALDOR ELECTRIC Co.

TYPE L, DV, REV, 6 LEADS

CD0001