

BALDOR® • RELIANCE 

Product Information Packet

KNM3534

.33HP,1725RPM,3PH,60HZ,56C,3416M,TENV,F1

Part Detail							
Revision:	T	Status:	PRD/A	Change #:		Proprietary:	No
Type:	AC	Elec. Spec:	34WG0116	CD Diagram:	CD0005	Mfg Plant:	
Mech. Spec:	34K013	Layout:	34LYK013	Poles:	04	Created Date:	
Base:	N	Eff. Date:	07-03-2018	Leads:	9#18		

Specs			
Catalog Number:	KNM3534	Insulation Class:	B
Enclosure:	TENV	Inverter Code:	Not Inverter
Frame:	56C	KVA Code:	K
Frame Material:	Steel	Lifting Lugs:	No Lifting Lugs
Output @ Frequency:	.330 HP @ 60 HZ	Locked Bearing Indicator:	Locked Bearing
Synchronous Speed @ Frequency:	1800 RPM @ 60 HZ	Motor Lead Quantity/Wire Size:	9 @ 18 AWG
Voltage @ Frequency:	208.0 V @ 60 HZ	Motor Lead Exit:	Ko Box
	230.0 V @ 60 HZ	Motor Lead Termination:	Flying Leads
	460.0 V @ 60 HZ	Motor Type:	3416M
XP Class and Group:	None	Mounting Arrangement:	F1
XP Division:	Not Applicable	Power Factor:	64
Agency Approvals:	UR	Product Family:	General Purpose
	CSA	Pulley End Bearing Type:	Ball
Auxillary Box:	No Auxillary Box	Pulley Face Code:	C-Face
Auxillary Box Lead Termination:	None	Pulley Shaft Indicator:	Standard
Base Indicator:	No Mounting	Rodent Screen:	None
Bearing Grease Type:	Polyrex EM (-20F +300F)	RoHS Status:	ROHS COMPLIANT
Blower:	None	Shaft Extension Location:	Pulley End

Current @ Voltage:	.700 A @ 460.0 V	Shaft Ground Indicator:	No Shaft Grounding
	1.400 A @ 230.0 V	Shaft Rotation:	Reversible
	1.500 A @ 208.0 V	Shaft Slinger Indicator:	No Slinger
Design Code:	B	Speed Code:	Single Speed
Drip Cover:	No Drip Cover	Motor Standards:	NEMA
Duty Rating:	CONT	Starting Method:	Direct on line
Electrically Isolated Bearing:	Not Electrically Isolated	Thermal Device - Bearing:	NONE (OLD)
Feedback Device:	NO FEEDBACK	Thermal Device - Winding:	None
Front Face Code:	Standard	Vibration Sensor Indicator:	No Vibration Sensor
Front Shaft Indicator:	None	Winding Thermal 1:	None
Heater Indicator:	No Heater	Winding Thermal 2:	None

Nameplate NP1256L										
CAT.NO.	KNM3534									
SPEC.	34K13-116									
HP	.33									
VOLTS	208-230/460									
AMP	1.5-1.4/.7									
RPM	1725									
FRAME	56C				HZ	60			PH	3
SER.F.	1.00		CODE	K	DES	B		CLASS	B	
NEMA-NOM-EFF	70		PF	64						
RATING	40C AMB-CONT									
CC								USABLE AT 208V	1.5	
DE	6203				ODE	6203				
ENCL	TENV		SN							

Parts List		
Part Number	Description	Quantity
SA008075	SA 34K13-116	1.000 EA
RA004522	RA 34K13-116	1.000 EA
NS2512A01	INSULATOR, CONDUIT BOX X	1.000 EA
34CB3002A	CB CAST W/.88 DIA HOLE	1.000 EA
34GS1029A01	GASKET, CONDUIT BOX	1.000 EA
51XB1016A07	10-16 X 7/16 HXWSSLD SERTYB	2.000 EA
11XW1032G06	10-32 X .38, TAPTITE II, HEX WSHR SLTD U	1.000 EA
34EP3100A03SP	FR ENDPLATE, MACH	1.000 EA
HW5100A03	WAVY WASHER (W1543-017)	1.000 EA
34EP3300A24SP	PU ENDPLATE, MACH	1.000 EA
51XN1032A20	10-32 X 1 1/4 HX WS SL SR	2.000 EA
34CB4517	CB LID 4 MTG HOLES .22 DIA STAMPED, FOR	1.000 EA
34GS1031A01	GASKET, FLAT CONDUIT BOX LID (LEXIDE)	1.000 EA
51XW0832A07	8-32 X .44, TAPTITE II, HEX WSHR SLTD SE	4.000 EA
HW2501D13	KEY, 3/16 SQ X 1.375	1.000 EA
HA7000A04	KEY RETAINER 0.625 DIA SHAFTS	1.000 EA
MG1000G27	MED CHARCOAL METALLIC GREY 400-0096	0.014 GA
85XU0407S04	4X1/4 U DRIVE PIN STAINLESS	2.000 EA
HA3100A12	THRUBOLT 10-32 X 7.375	4.000 EA
LC0005E01	CONN.DIA./WARNING LABEL (LC0005/LB1119N)	1.000 EA
NP1256L	ALUM UL CSA CC INDUSTRIAL MOTOR A60	1.000 EA
34PA1002	PKG GRP, PRINT PK1001A01	1.000 EA
PK3083T	STYROFOAM PACKING CRADLE	1.000 EA
PK3088	MICROFOAM, 8"X"8 PERF. SHEETS 5,400/RL	1.000 EA

AC Induction Motor Performance Data

Record # 6545 - Typical performance - not guaranteed values

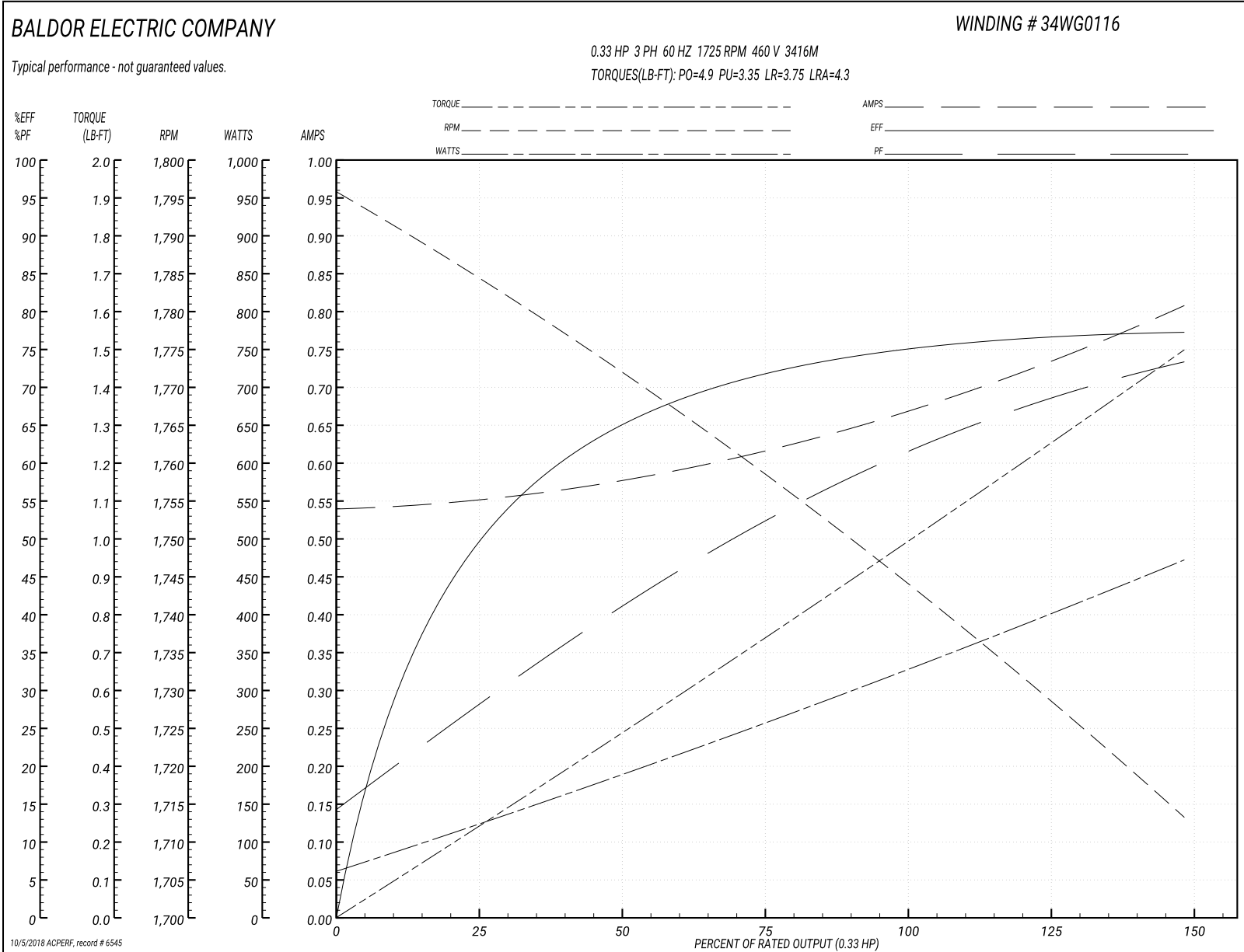
Winding: 34WG0116-R001	Type: 3416M	Enclosure: TENV
-------------------------------	--------------------	------------------------

Nameplate Data				460 V, 60 Hz: High Voltage Connection	
Rated Output (HP)	.33			Full Load Torque	1 LB-FT
Volts	208-230/460			Start Configuration	direct on line
Full Load Amps	1.5-1.4/.7			Breakdown Torque	4.9 LB-FT
R.P.M.	1725			Pull-up Torque	3.35 LB-FT
Hz	60	Phase	3	Locked-rotor Torque	3.75 LB-FT
NEMA Design Code	B	KVA Code	K	Starting Current	4.3 A
Service Factor (S.F.)	1			No-load Current	0.54 A
NEMA Nom. Eff.	70	Power Factor	64	Line-line Res. @ 25°C	39.4 Ω
Rating - Duty	40C AMB-CONT			Temp. Rise @ Rated Load	60°C

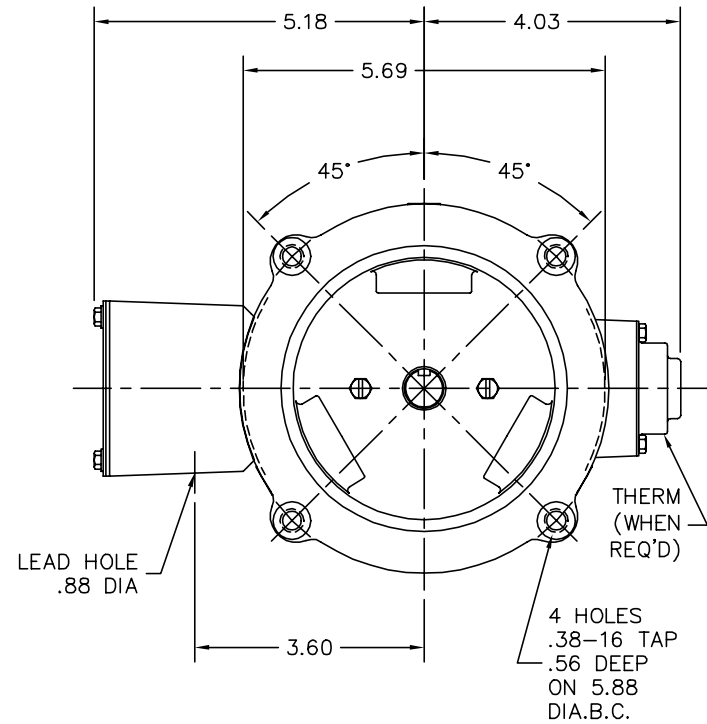
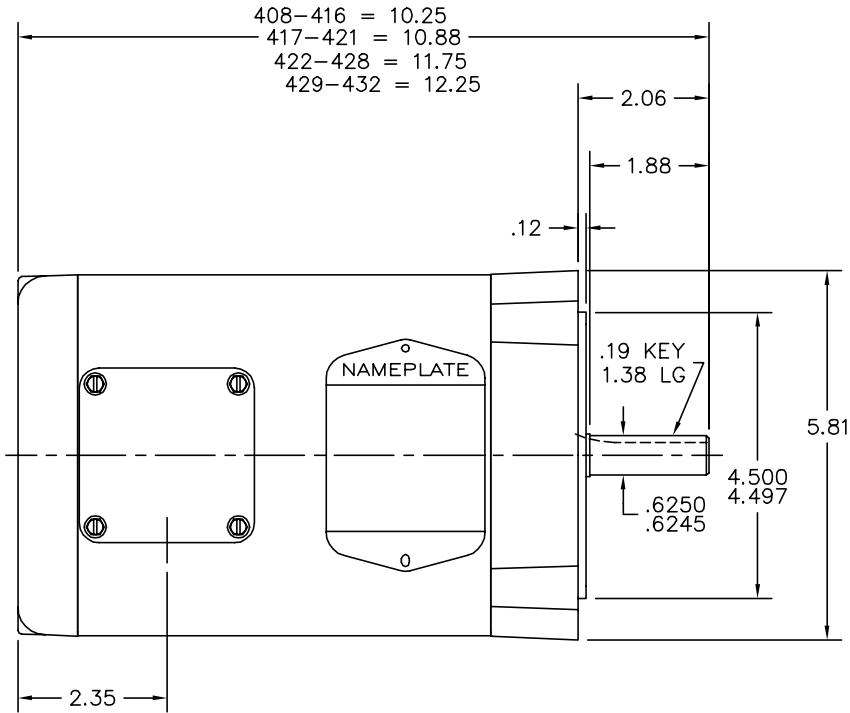
Load Characteristics 460 V, 60 Hz, 0.33 HP

% of Rated Load	25	50	75	100	125	150
Power Factor	28	41	52	61	68	73
Efficiency	50	65	72	75.5	77	77
Speed	1784	1771	1758	1744	1729	1713
Line amperes	0.55	0.58	0.62	0.67	0.73	0.81

Performance Graph at 460V, 60Hz, 0.33HP Typical performance - Not guaranteed values



34LYK013



CUSTOMER IS RESPONSIBLE FOR DETERMINING THAT MOTOR PERFORMANCE IS SUITABLE IN THE APPLICATION.

REV. DESC: UPDATE ACAD & KBOX

REV. LTR: D | BY: RT | REVISED: 14:11:23 02/04/2005 | TDR: 355794

34LYK013

FILE: AAA00026147

REF: 34LYK013

MTL: -

BALDOR ELECTRIC Co.

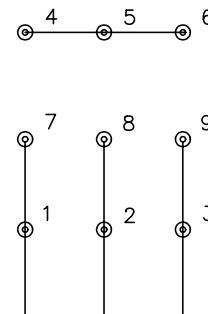
STD VERT MODEL 34M NEMA 56C TENV

34LYK013

CD0005

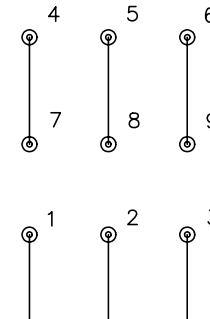


LOW VOLTAGE
(2Y)



LINE

HIGH VOLTAGE
(1Y)



LINE

NOTES:

1. INTERCHANGE ANY TWO LINE LEADS TO REVERSE ROTATION.
2. OPTIONAL THERMOSTATS ARE PROVIDED WHEN SPECIFIED.
3. ACTUAL NUMBER OF INTERNAL PARALLEL CIRCUITS MAY BE A MULTIPLE OF THOSE SHOWN ABOVE.
4. LEAD COLORS ARE OPTIONAL. LEADS MUST ALWAYS BE NUMBERED AS SHOWN.

REV. DESC: REVISE TO SHOW OPTIONAL COLORS			
REV. LTR: E	BY: JLP	REVISED: 01/19/99 10:15	TDR: 0171435
900000		FILE: AAA00005140	MDL: -
		MTL: -	

BALDOR ELECTRIC Co.

3PH, DV, 9 LEADS

CD0005