

BALDOR® • RELIANCE 

Product Information Packet

L1208-50

.5HP,2850RPM,1PH,50HZ,48,3420L,OPEN,F1

Part Detail							
Revision:	AA	Status:	PRD/A	Change #:		Proprietary:	No
Type:	AC	Elec. Spec:	34WGW633	CD Diagram:	CD0001	Mfg Plant:	
Mech. Spec:	34F031	Layout:	34LYF031	Poles:	02	Created Date:	
Base:	RG	Eff. Date:	02-23-2018	Leads:	6#18		

Specs			
Catalog Number:	L1208-50	Insulation Class:	B
Enclosure:	OPEN	Inverter Code:	Not Inverter
Frame:	48	KVA Code:	J
Frame Material:	Steel	Lifting Lugs:	No Lifting Lugs
Output @ Frequency:	.500 HP @ 50 HZ	Locked Bearing Indicator:	No Locked Bearing
Synchronous Speed @ Frequency:	3000 RPM @ 50 HZ	Motor Lead Quantity/Wire Size:	6 @ 18 AWG
Voltage @ Frequency:	220.0 V @ 50 HZ	Motor Lead Exit:	Ko Box
	110.0 V @ 50 HZ	Motor Lead Termination:	Flying Leads
XP Class and Group:	None	Motor Type:	3420L
XP Division:	Not Applicable	Mounting Arrangement:	F1
Agency Approvals:	UR	Power Factor:	77
	WEEE	Product Family:	General Purpose
	CSA	Pulley End Bearing Type:	Ball
	CE	Pulley Face Code:	Standard
Auxillary Box:	No Auxillary Box	Pulley Shaft Indicator:	Standard
Auxillary Box Lead Termination:	None	Rodent Screen:	None
Base Indicator:	Rigid	RoHS Status:	ROHS COMPLIANT
Bearing Grease Type:	Polyrex EM (-20F +300F)	Shaft Extension Location:	Pulley End

Blower:	None	Shaft Ground Indicator:	No Shaft Grounding
Current @ Voltage:	3.300 A @ 220.0 V	Shaft Rotation:	Reversible
	6.600 A @ 110.0 V	Shaft Slinger Indicator:	No Slinger
Design Code:	N	Speed Code:	Single Speed
Drip Cover:	No Drip Cover	Motor Standards:	NEMA
Duty Rating:	CONT	Starting Method:	Direct on line
Electrically Isolated Bearing:	Not Electrically Isolated	Thermal Device - Bearing:	NONE (OLD)
Feedback Device:	NO FEEDBACK	Thermal Device - Winding:	None
Front Face Code:	Standard	Vibration Sensor Indicator:	No Vibration Sensor
Front Shaft Indicator:	None	Winding Thermal 1:	None
Heater Indicator:	No Heater	Winding Thermal 2:	None

Nameplate NP1372L													
CAT.NO.	L1208-50												
SPEC.	34F31W633												
HP	.5												
VOLTS	110/220												
AMP	6.6/3.3												
RPM	2850 IP23												
FRAME	48					HZ	50			PH	1		
SER.F.	1.25					CODE	J		DES	N		CL	B
NEMA-NOM-EFF	68					PF	77						
RATING	40C AMB-CONT												
CC												USABLE AT 208V	
DE	6203					ODE	6203						
ENCL	OPEN					SN							
	SFA 7.4/3.7												

Parts List		
Part Number	Description	Quantity
SA005851	SA 34F31W633	1.000 EA
RA002597	RA 34F31W633	1.000 EA
EC1324A03	ELEC CAP, 324-389 MFD, 125V, 1.81D X 3.	1.000 EA
NS2512A01	INSULATOR, CONDUIT BOX X	1.000 EA
34CB3002A	CB CAST W/.88 DIA HOLE	1.000 EA
51XB1016A07	10-16 X 7/16 HXWSSLD SERTYB	2.000 EA
11XW1032G06	10-32 X .38, TAPTITE II, HEX WSHR SLTD U	1.000 EA
34EP3210A01SP	FR ENDPLATE, MACH	1.000 EA
51XW0832A07	8-32 X .44, TAPTITE II, HEX WSHR SLTD SE	2.000 EA
SP1006A01	TERM. BOARD, MODE 35 SW X H-23655	1.000 EA
51XB1016A05	10-16X5/16HX WA SL SR TYB (F/S)	2.000 EA
HW5100A03	WAVY WASHER (W1543-017)	1.000 EA
34EP3212A02	PU ENDPLATE, MODEL 34 OPEN	1.000 EA
XY1032A02	10-32 HEX NUT DIRECTIONAL SERRATION	4.000 EA
34CB4517	CB LID 4 MTG HOLES .22 DIA STAMPED, FOR	1.000 EA
51XW0832A07	8-32 X .44, TAPTITE II, HEX WSHR SLTD SE	4.000 EA
MG1000G27	MED CHARCOAL METALLIC GREY 400-0096	0.014 GA
85XU0407S04	4X1/4 U DRIVE PIN STAINLESS	2.000 EA
33CB4800A01	CAPACITOR COVER, STAMPED	1.000 EA
34GS5003A01	FOAM SLEEVE, ID = 2 1/16" X 4 3/8"	1.000 EA
SP5056A24	34 TYPE L STATIONARY SWITCH W/ LEADS	1.000 EA
HA3100A44	THRUBOLT 10-32 X 8.000	4.000 EA
LB1119N	WARNING LABEL	1.000 EA
LC0001	CONN LABEL TYPE L, 6 LEAD, DUAL VOLTS, R	1.000 EA

Parts List (continued)		
Part Number	Description	Quantity
MN416A01	TAG-INSTAL-MAINT no wire (1200/bx) 5/18	1.000 EA
NP1372L	ALUM UL CSA CE CC	1.000 EA
34PA1002	PKG GRP, PRINT PK1001A01	1.000 EA

AC Induction Motor Performance Data

Record # 50762 - Typical performance - not guaranteed values

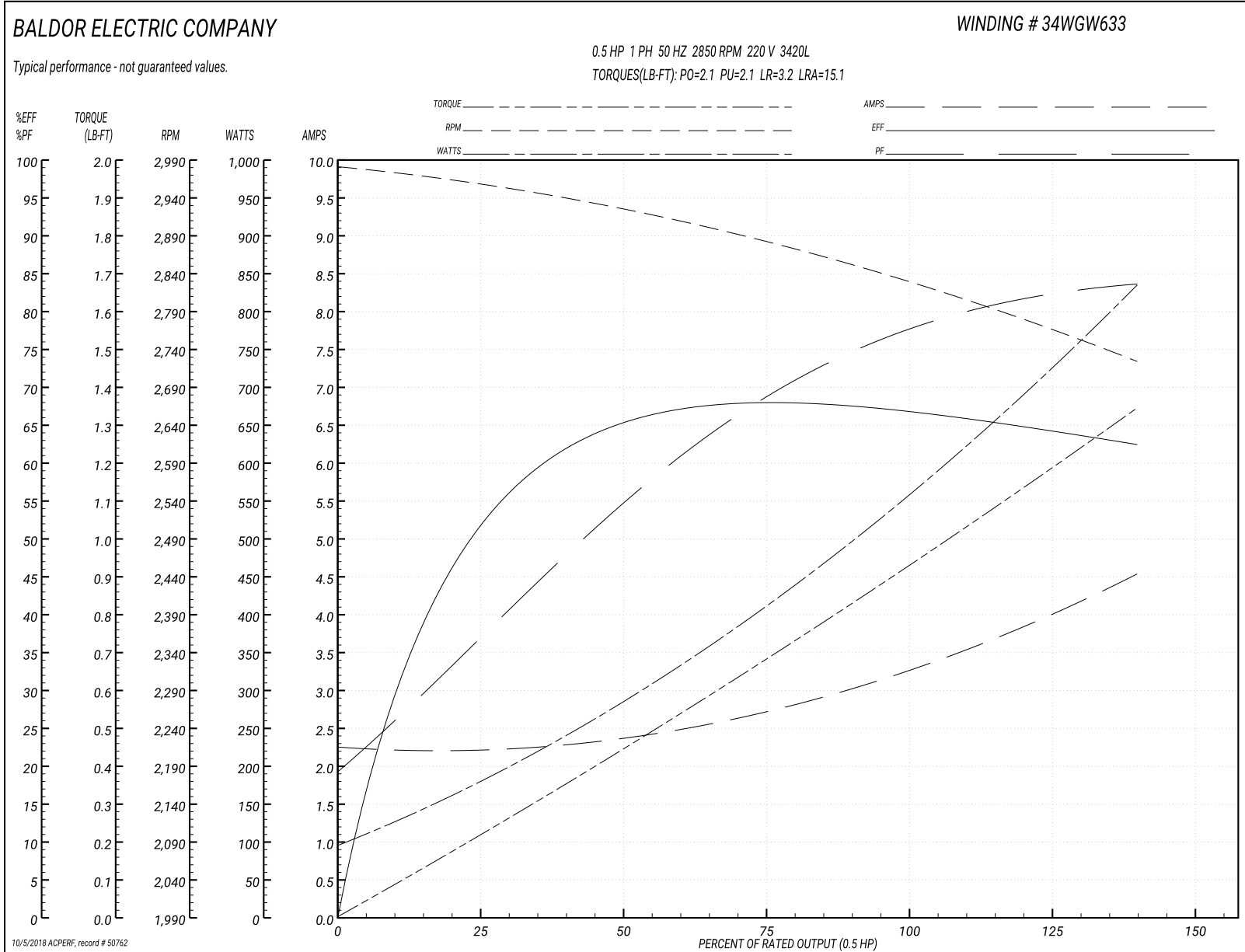
Winding: 34WGW633-R001	Type: 3420L	Enclosure: OPEN
-------------------------------	--------------------	------------------------

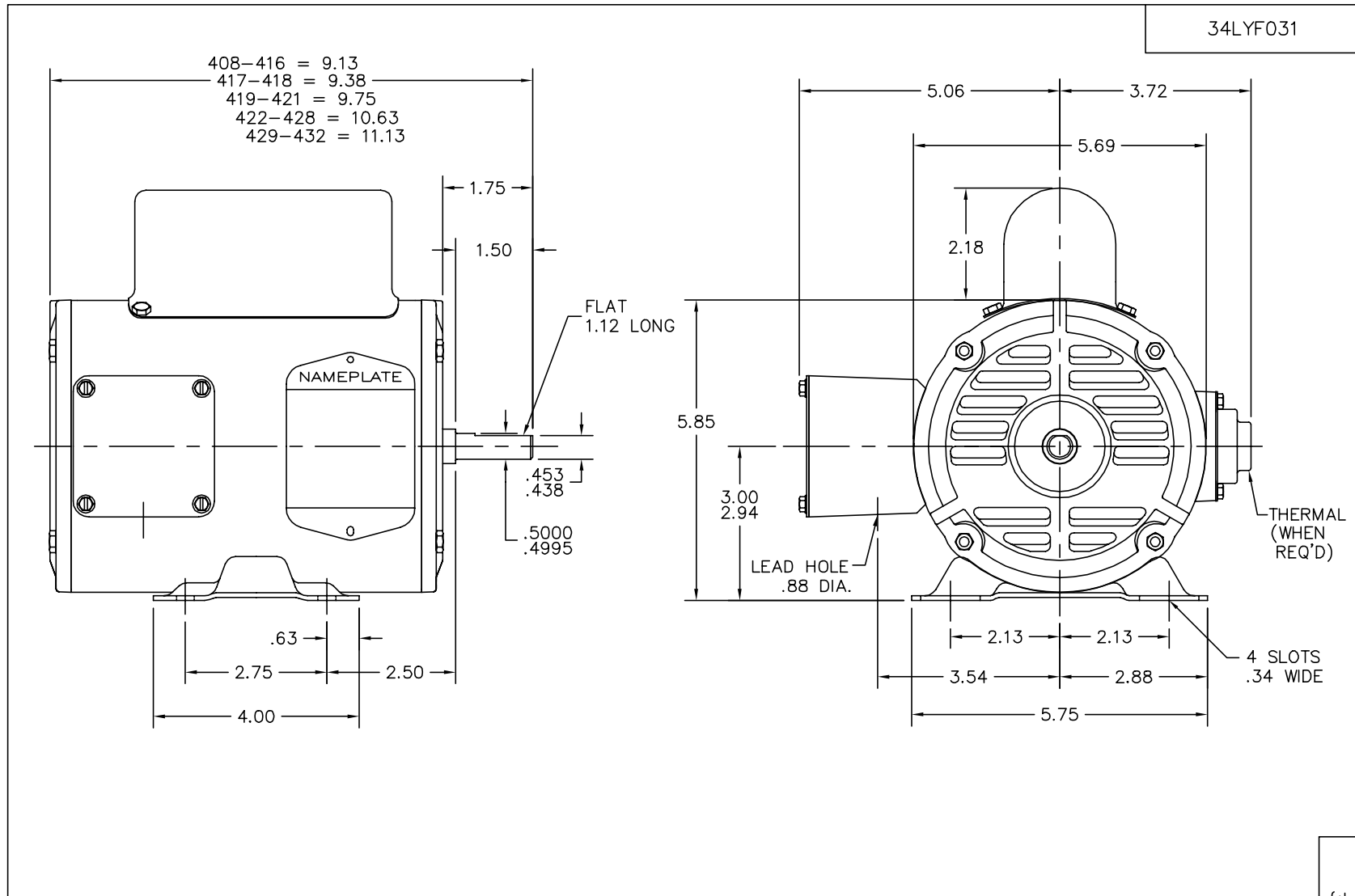
Nameplate Data				220 V, 50 Hz: High Voltage Connection	
Rated Output (HP)	.5			Full Load Torque	0.9 LB-FT
Volts	110/220			Start Configuration	direct on line
Full Load Amps	6.6/3.3			Breakdown Torque	2.1 LB-FT
R.P.M.	2850			Pull-up Torque	2.1 LB-FT
Hz	50	Phase	1	Locked-rotor Torque	3.2 LB-FT
NEMA Design Code	N	KVA Code	J	Starting Current	15.1 A
Service Factor (S.F.)	1.25			No-load Current	2.2 A
NEMA Nom. Eff.	68	Power Factor	77	Line-line Res. @ 25°C	4.2 Ω A Ph 3.18 Ω B Ph
Rating - Duty	40C AMB-CONT			Temp. Rise @ Rated Load	
S.F. Amps	7.4/3.7			Temp. Rise @ S.F. Load	

Load Characteristics 220 V, 50 Hz, 0.5 HP

% of Rated Load	25	50	75	100	125	150	S.F.
Power Factor	46	56	66	77	81	85	81
Efficiency	56.1	61.8	66.6	68.1	66.4	61.6	66.4
Speed	2954	2921	2885	2840	2785	2720	2785
Line amperes	2.3	2.4	2.6	3.3	3.7	4.6	3.7

Performance Graph at 220V, 50Hz, 0.5HP Typical performance - Not guaranteed values





CUSTOMER IS RESPONSIBLE FOR DETERMINING THAT MOTOR PERFORMANCE IS SUITABLE IN THE APPLICATION.

REV. DESC: NEW KBOX & LID			
REV. LTR: G	BY: RT	REVISED: 11:29:21 10/14/2003	TDR: 314971
34LYF031		FILE: AAA00026301	REF: 34LYF031
		MTL: -	

BALDOR ELECTRIC Co.

STD HORZ MODEL 34L NEMA 48 OPEN W/LG CAPAC BOX

34LYF031

CD0001



NOTES:

1. STANDARD ROTATION IS CCW FACING END OPPOSITE SHAFT EXTENSION.
2. OPTIONAL THERMOSTAT IS PROVIDED WHEN SPECIFIED.
3. MULTIPLE CAPACITORS ARE CONNECTED IN PARALLEL UNLESS OTHERWISE SPECIFIED.
4. LEAD COLORS ARE OPTIONAL. LEADS MUST ALWAYS BE NUMBERED AS SHOWN.

REV. DESC: REVISE TO SHOW OPTIONAL COLORS			
REV. LTR: D	BY: JLP	REVISED: 04/08/99 1:16	TDR: 0178636
100000		FILE: AAA00007405	MDL: -
		MTL: -	

BALDOR ELECTRIC Co.

TYPE L, DV, REV, 6 LEADS

CD0001