

BALDOR® • RELIANCE 

Product Information Packet

L3514M

1.5HP, 1725RPM, 1PH, 60HZ, 56/56H, 3532LC

| Part Detail | | | | | | | |
|-------------|--------|-------------|------------|-------------|------------------------------|---------------|----|
| Revision: | AW | Status: | PRD/A | Change #: | | Proprietary: | No |
| Type: | AC | Elec. Spec: | 35WGW114 | CD Diagram: | CD0016A02 | Mfg Plant: | |
| Mech. Spec: | 35H611 | Layout: | 35LYH611 | Poles: | 04 | Created Date: | |
| Base: | RG | Eff. Date: | 03-06-2018 | Leads: | 4#16 A&J,3#18 B PH,1#14 #4TH | | |

| Specs | | | |
|---------------------------------|-------------------------|--------------------------------|--------------------|
| Catalog Number: | L3514M | Insulation Class: | F |
| Enclosure: | TEFC | Inverter Code: | Not Inverter |
| Frame: | 56/56H | KVA Code: | J |
| Frame Material: | Steel | Lifting Lugs: | No Lifting Lugs |
| Output @ Frequency: | 1.500 HP @ 60 HZ | Locked Bearing Indicator: | No Locked Bearing |
| Synchronous Speed @ Frequency: | 1800 RPM @ 60 HZ | Motor Lead Quantity/Wire Size: | 4 @ 16 AWG, A&J |
| Voltage @ Frequency: | 115.0 V @ 60 HZ | Motor Lead Exit: | Ko Box |
| | 208.0 V @ 60 HZ | Motor Lead Termination: | Flying Leads |
| | 230.0 V @ 60 HZ | Motor Type: | 3532LC |
| XP Class and Group: | None | Mounting Arrangement: | F1 |
| XP Division: | Not Applicable | Power Factor: | 80 |
| Agency Approvals: | UR | Product Family: | General Purpose |
| | CSA | Pulley End Bearing Type: | Ball |
| Auxillary Box: | No Auxillary Box | Pulley Face Code: | Standard |
| Auxillary Box Lead Termination: | None | Pulley Shaft Indicator: | Standard |
| Base Indicator: | Rigid | Rodent Screen: | None |
| Bearing Grease Type: | Polyrex EM (-20F +300F) | Shaft Extension Location: | Pulley End |
| Blower: | None | Shaft Ground Indicator: | No Shaft Grounding |

Product Information Packet: L3514M - 1.5HP,1725RPM,1PH,60HZ,56/56H,3532LC

| | | | |
|---------------------------------------|---------------------------|------------------------------------|-------------------------|
| Current @ Voltage: | 16.000 A @ 115.0 V | Shaft Rotation: | Reversible |
| | 7.900 A @ 208.0 V | Shaft Slinger Indicator: | No Slinger |
| | 8.000 A @ 230.0 V | Speed Code: | Single Speed |
| Design Code: | L | Motor Standards: | NEMA |
| Drip Cover: | No Drip Cover | Starting Method: | Direct on line |
| Duty Rating: | CONT | Thermal Device - Bearing: | NONE (OLD) |
| Electrically Isolated Bearing: | Not Electrically Isolated | Thermal Device - Winding: | Do Not Use |
| Feedback Device: | NO FEEDBACK | Vibration Sensor Indicator: | No Vibration Sensor |
| Front Face Code: | Standard | Winding Thermal 1: | Manual Thermal Overload |
| Front Shaft Indicator: | None | Winding Thermal 1 Location: | SB |
| Heater Indicator: | No Heater | Winding Thermal 2: | None |

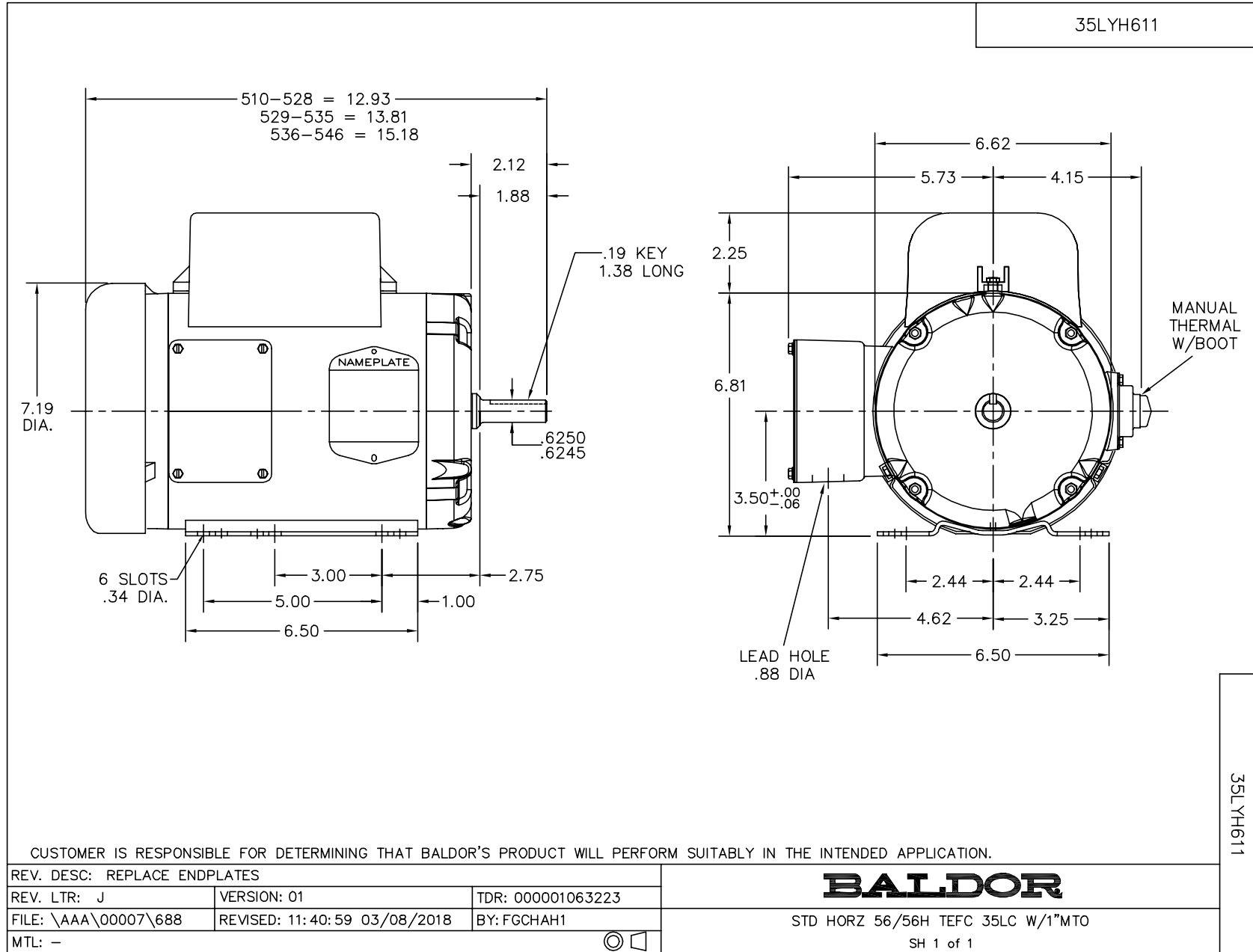
| | |
|--------------------------|----------------|
| Nameplate NP1257L | |
| CAT.NO. | L3514M |
| SPEC. | 35H611W114 |
| HP | 1.5 |
| VOLTS | 115/208-230 |
| AMP | 16/7.9-8 |
| RPM | 1725 |
| FRAME | 56/56H |
| HZ | 60 |
| PH | 1 |
| SER.F. | 1.00 |
| CODE | J |
| DES | L |
| CL | F |
| NEMA-NOM-EFF | 75.5 |
| PF | 80 |
| RATING | 40C AMB-CONT |
| CC | USABLE AT 208V |
| DE | 6205 |
| ODE | 6203 |
| ENCL | TEFC |
| SN | |

| Parts List | | |
|---------------|--|----------|
| Part Number | Description | Quantity |
| SA025416 | SA 35H611W114 | 1.000 EA |
| RA021466 | RA 35H611W114 | 1.000 EA |
| OC3015F12SP | CYL OIL CAP 15MFD/370V | 1.000 EA |
| EC1645A06SP | ELEC CAP, 645-774 MFD, 125V, 2.06D X 4. | 1.000 EA |
| TP5059 | GENERIC THERMAL KIT | 1.000 EA |
| NS2512A01 | INSULATOR, CONDUIT BOX X | 1.000 EA |
| 35CB3007 | 35 CB CASTING W/.88 DIA. LEAD HOLE | 1.000 EA |
| 36GS1000SP | GASKET-CONDUIT BOX, .06 THICK #SV-330 LE | 1.000 EA |
| 51XB1016A07 | 10-16 X 7/16 HXWSSLD SERTYB | 2.000 EA |
| 11XW1032G06 | 10-32 X .38, TAPTITE II, HEX WSHR SLTD U | 1.000 EA |
| 35CB4801C01SP | COVER, MANUAL THERMAL PROT, PLATED | 1.000 EA |
| RM1014A01SP | BUTYL RUB.THRM COV. (MENA) | 1.000 EA |
| 35GS3000 | THERMAL GASKET LEXIDE X | 1.000 EA |
| 35EP3122K00 | MASTER ODE,203 BRG,.683SH,#26 DRN,FH MTG | 1.000 EA |
| 51XW0832A07 | 8-32 X .44, TAPTITE II, HEX WSHR SLTD SE | 2.000 EA |
| 35CB3801 | CAPACITOR COVER, CAST | 1.000 EA |
| 34GS3002 | GASKET, CAPACITOR BOX | 1.000 EA |
| HA7010 | CAPACITOR RETENTION CLAMP | 1.000 EA |
| NS2501A02 | INSULATOR, CAPACITOR BOX | 1.000 EA |
| 51XB1016A08 | 10-16X 1/2HXWSSLD SERTYB | 2.000 EA |
| HW5100A03 | WAVY WASHER (W1543-017) | 1.000 EA |
| 35EP3123A00 | MASTER DE,205 BRG,.998SH,#26 DRN | 1.000 EA |
| XY1032A02 | 10-32 HEX NUT DIRECTIONAL SERRATION | 4.000 EA |
| 35FN3002A05SP | EXFN, PLASTIC, 6.376 OD, .638 ID | 1.000 EA |

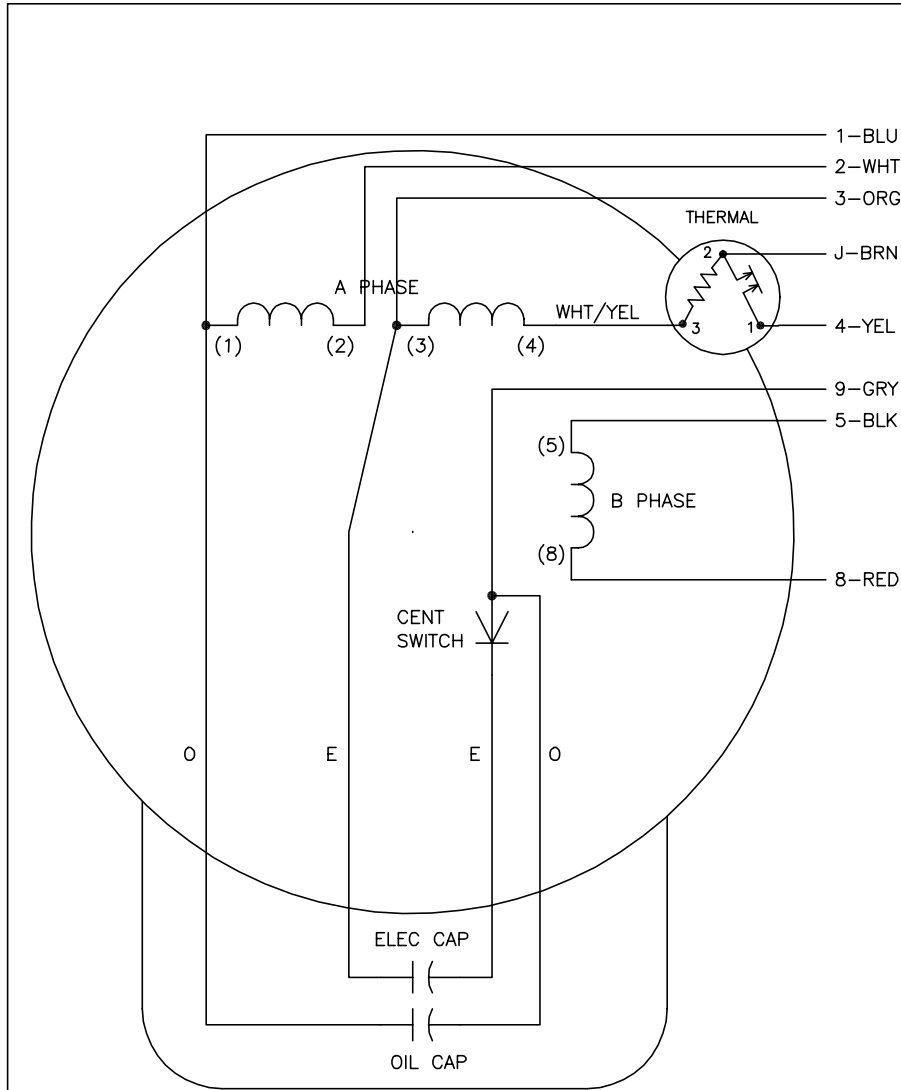
| Parts List (continued) | | |
|------------------------|--|----------|
| Part Number | Description | Quantity |
| 51XB1214A16 | 12-14X1.00 HXWSSLD SERTYB | 1.000 EA |
| 51XW1032A06 | 10-32 X .38, TAPTITE II, HEX WSHR SLTD S | 3.000 EA |
| 35CB4521GX | CONDUIT BOX LID KIT **ORDER INDIV PARTS | 1.000 EA |
| 51XW0832A07 | 8-32 X .44, TAPTITE II, HEX WSHR SLTD SE | 4.000 EA |
| HW2501D13 | KEY, 3/16 SQ X 1.375 | 1.000 EA |
| HA7000A04 | KEY RETAINER 0.625 DIA SHAFTS | 1.000 EA |
| 85XU0407S04 | 4X1/4 U DRIVE PIN STAINLESS | 2.000 EA |
| MJ1000A02 | GREASE, POLYREX EM EXXON (USe 4824-15A) | 0.050 LB |
| 35FH4005A32SP | IEC FH NO GRSR W/3 HOLES - PRIMED | 1.000 EA |
| MG1000G27 | MED CHARCOAL METALLIC GREY 400-0096 | 0.017 GA |
| 34GS5003 | OAM SLEEVE, ID = 2 1/16" X 3 3/8" | 2.000 EA |
| SP5056A61 | MODEL 35 LC STATIONARY SWITCH LEAD ASSY | 1.000 EA |
| WD1000A15 | 3-520132-2 AMP FLAG (4M/RL NON-CANC/NON- | 4.000 EA |
| HA3100A22 | THRUBOLT 10-32 X 10.125 | 4.000 EA |
| LB1087 | LABEL,MANUAL RESET (ROLL LABEL) | 1.000 EA |
| LB1119N | WARNING LABEL | 1.000 EA |
| LC0016 | CONNECTION LABEL | 1.000 EA |
| NP1257L | ALUM UL CSA CC THERMAL REV MTG | 1.000 EA |
| 36PA1000 | PKG GRP, PRINT PK1016A06 | 1.000 EA |
| MN416A01 | TAG-INSTAL-MAINT no wire (1200/bx) 5/18 | 1.000 EA |
| PE-0000001 | ZRTG PE ASSEMBLY | 1.000 EA |
| FE-0000001 | ZRTG FE ASSEMBLY | 1.000 EA |

| Accessories | | |
|--------------------|--------------------|-------------------|
| Part Number | Description | Multiplier |
| 35-8762 | C FACE KIT | A8 |
| 35EP1506A01SP | D-FLANGE KIT | A8 |

No performance data has been
assigned to this product.



CD0016A02



| | LINE A | LINE B | JOIN | JOIN | JOIN |
|----------|--------|--------|------|-------|------|
| HIGH STD | 1 | 4 | 2,3 | 8,9 | J,5 |
| HIGH OPP | 1 | 4 | 2,3 | 5,9 | J,8 |
| LOW STD | 1,3 | 4 | 8,9 | 2,J,5 | - |
| LOW OPP | 1,3 | 4 | 5,9 | 2,J,8 | - |

NOTES:

1. STANDARD ROTATION IS CCW FACING END OPPOSITE SHAFT EXTENSION.
2. MULTIPLE CAPACITORS ARE CONNECTED IN PARALLEL UNLESS OTHERWISE SPECIFIED.
3. LEAD COLORS ARE OPTIONAL. LEADS MUST ALWAYS BE NUMBERED AS SHOWN.

| | | |
|---|----------------------|------------------------------|
| REV. DESC: REMOVE OPTIONAL THERMAL CONNECTION | | |
| REV. LTR: F | VERSION: 01 | TDR: 000000373039 |
| Z0V910003 | FILE: \AAA\00007\411 | REVISED: 10:13:25 08/11/2005 |
| CD0016A02 | MTL: - | BY: ENJOEPO |

BALDOR ELECTRIC Co.

TYPE LC, DV, REV, OIL CAP ACR. LINE, THERMAL, 8 LEADS

CD0016A02