

BALDOR® • RELIANCE 

Product Information Packet

L3606T

3HP,3450RPM,1PH,60HZ,182T,3634L,TEFC,F1

| Part Detail | | | | | | | |
|-------------|--------|-------------|------------|-------------|---------------------|---------------|----|
| Revision: | Z | Status: | PRD/A | Change #: | | Proprietary: | No |
| Type: | AC | Elec. Spec: | 36WG0201 | CD Diagram: | CD0001 | Mfg Plant: | |
| Mech. Spec: | 36C001 | Layout: | 36LYC001 | Poles: | 02 | Created Date: | |
| Base: | RG | Eff. Date: | 03-16-2017 | Leads: | 4#14 A PH,2#16 B PH | | |

| Specs | | | |
|---------------------------------|-------------------------|--------------------------------|--------------------|
| Catalog Number: | L3606T | Insulation Class: | F |
| Enclosure: | TEFC | Inverter Code: | Not Inverter |
| Frame: | 182T | KVA Code: | G |
| Frame Material: | Steel | Lifting Lugs: | No Lifting Lugs |
| Output @ Frequency: | 3.000 HP @ 60 HZ | Locked Bearing Indicator: | No Locked Bearing |
| Synchronous Speed @ Frequency: | 3600 RPM @ 60 HZ | Motor Lead Quantity/Wire Size: | 4 @ 14 AWG, A PH |
| Voltage @ Frequency: | 230.0 V @ 60 HZ | Motor Lead Exit: | Ko Box |
| | 115.0 V @ 60 HZ | Motor Lead Termination: | Flying Leads |
| XP Class and Group: | None | Motor Type: | 3634L |
| XP Division: | Not Applicable | Mounting Arrangement: | F1 |
| Agency Approvals: | CSA | Power Factor: | 87 |
| | UR | Product Family: | General Purpose |
| Auxillary Box: | No Auxillary Box | Pulley End Bearing Type: | Ball |
| Auxillary Box Lead Termination: | None | Pulley Face Code: | Standard |
| Base Indicator: | Rigid | Pulley Shaft Indicator: | Standard |
| Bearing Grease Type: | Polyrex EM (-20F +300F) | Rodent Screen: | None |
| Blower: | None | Shaft Extension Location: | Pulley End |
| Current @ Voltage: | 14.500 A @ 230.0 V | Shaft Ground Indicator: | No Shaft Grounding |

| | | | |
|---------------------------------------|---------------------------|------------------------------------|---------------------|
| | 15.000 A @ 208.0 V | Shaft Rotation: | Reversible |
| | 29.000 A @ 115.0 V | Shaft Slinger Indicator: | No Slinger |
| Design Code: | L | Speed Code: | Single Speed |
| Drip Cover: | No Drip Cover | Motor Standards: | NEMA |
| Duty Rating: | CONT | Starting Method: | Direct on line |
| Electrically Isolated Bearing: | Not Electrically Isolated | Thermal Device - Bearing: | NONE (OLD) |
| Feedback Device: | NO FEEDBACK | Thermal Device - Winding: | None |
| Front Face Code: | Standard | Vibration Sensor Indicator: | No Vibration Sensor |
| Front Shaft Indicator: | None | Winding Thermal 1: | None |
| Heater Indicator: | No Heater | Winding Thermal 2: | None |

| Nameplate NP1256L | | | | | | | | | | |
|-------------------|--------------|--|------|----|-----|------|--|----------------|----|---|
| CAT.NO. | L3606T | | | | | | | | | |
| SPEC. | 36C01-201 | | | | | | | | | |
| HP | 3 | | | | | | | | | |
| VOLTS | 115/230 | | | | | | | | | |
| AMP | 29/14.5 | | | | | | | | | |
| RPM | 3450 | | | | | | | | | |
| FRAME | 182T | | | | HZ | 60 | | | PH | 1 |
| SER.F. | 1.15 | | CODE | G | DES | L | | CLASS | F | |
| NEMA-NOM-EFF | 76 | | PF | 87 | | | | | | |
| RATING | 40C AMB-CONT | | | | | | | | | |
| CC | | | | | | | | USABLE AT 208V | 15 | |
| DE | 6206 | | | | ODE | 6205 | | | | |
| ENCL | TEFC | | SN | | | | | | | |

| Parts List | | |
|---------------|--|----------|
| Part Number | Description | Quantity |
| SA034337 | SA 36C01-201 | 1.000 EA |
| RA030365 | RA 36C01-201 | 1.000 EA |
| 36CB3004 | 36 CB CASTING W/1.09 DIA LEAD HOLE @ 6:0 | 1.000 EA |
| 36GS1000SP | GASKET-CONDUIT BOX, .06 THICK #SV-330 LE | 1.000 EA |
| 51XB1016A08 | 10-16X 1/2HXWSSLD SERTYB | 2.000 EA |
| 11XW1032G06 | 10-32 X .38, TAPTITE II, HEX WSHR SLTD U | 1.000 EA |
| HW3001B01 | BRASS CUP WASHER, FOR #10 SCREW | 1.000 EA |
| 36EP3104A01 | FREP MACH ASSEMBLY FOR ROUTING | 1.000 EA |
| HW4500A01 | 1641B(ALEMITE)400 UNIV, GREASE FITT | 1.000 EA |
| 13XF0832A08 | 8-32 X.50 PAN HD,SLTD, TYPE F SCREW, ZIN | 2.000 EA |
| 51XB1016A05 | 10-16X5/16HX WA SL SR TYB (F/S) | 2.000 EA |
| HW5100A05 | WVY WSHR F/205 & 304 BRGS | 1.000 EA |
| 36EP3100A01SP | PUEP ASSEMBLY FOR ROUTING PURPOSES | 1.000 EA |
| HW4500A01 | 1641B(ALEMITE)400 UNIV, GREASE FITT | 1.000 EA |
| XY2520A12 | 1/4-20 HEX NUT, DIRECTIONAL SERRATIONS | 4.000 EA |
| 51XB1214A16 | 12-14X1.00 HXWSSLD SERTYB | 1.000 EA |
| 36FH4009A102 | IEC FH GREASER PRIMED | 1.000 EA |
| 51XW1032A06 | 10-32 X .38, TAPTITE II, HEX WSHR SLTD S | 3.000 EA |
| 36CB4516 | 36 LIPPED CB LID - GALVANNEAL | 1.000 EA |
| 37GS1001SP | GASKET, CONDUIT BOX LID, .06 THICK LEXID | 1.000 EA |
| 51XW0832A07 | 8-32 X .44, TAPTITE II, HEX WSHR SLTD SE | 4.000 EA |
| HW2501E16 | KEY, 1/4 SQ X 1.750 | 1.000 EA |
| HA7000A02 | KEY RETAINER RING, 1 1/8 DIA, 1 3/8 DIA | 1.000 EA |
| 85XU0407S04 | 4X1/4 U DRIVE PIN STAINLESS | 2.000 EA |

| Parts List (continued) | | |
|-------------------------------|--|-----------------|
| Part Number | Description | Quantity |
| WD1000A15 | 3-520132-2 AMP FLAG (4M/RL NON-CANC/NON- | 2.000 EA |
| MJ1000A02 | GREASE, POLYREX EM EXXON (USe 4824-15A) | 0.050 LB |
| MG1000G27 | MED CHARCOAL METALLIC GREY 400-0096 | 0.022 GA |
| EC1850A06SP | ELEC CAP 115V 2.0 X 4.3 X | 1.000 EA |
| HA3101A25 | THRUBOLT 1/4-20 X 11.000 OHIO ROD | 4.000 EA |
| 35FN3002A04SP | EXFN, PLASTIC, 6.376 OD, .906 ID W/KEY | 1.000 EA |
| SP5172A09 | 37 TYPE L TORQ STAT SWITCH LEAD ASSEMBLY | 1.000 EA |
| 35CB4802A02SP | CAPACITOR COVER, STAMPED X | 1.000 EA |
| 35GS3001A02 | GASKET, CA.COVER, 5.38 LONG .06 CS301 | 1.000 EA |
| LC0001A01 | CONN LABEL / WARNING LABEL (LC0001 / LB1 | 1.000 EA |
| NP1256L | ALUM UL CSA CC INDUSTRIAL MOTOR A60 | 1.000 EA |
| 36PA1000 | PKG GRP, PRINT PK1016A06 | 1.000 EA |
| MN416A01 | TAG-INSTAL-MAINT no wire (1200/bx) 5/18 | 1.000 EA |

| Accessories | | |
|--------------------|---|-------------------|
| Part Number | Description | Multiplier |
| 36-3301 | C FACE KIT | A8 |
| 36EP1304A62SP | FLANGE MTD ENDPLATE 182-4TD -ENCL (LESS | A8 |

AC Induction Motor Performance Data

Record # 29181 - Typical performance - not guaranteed values

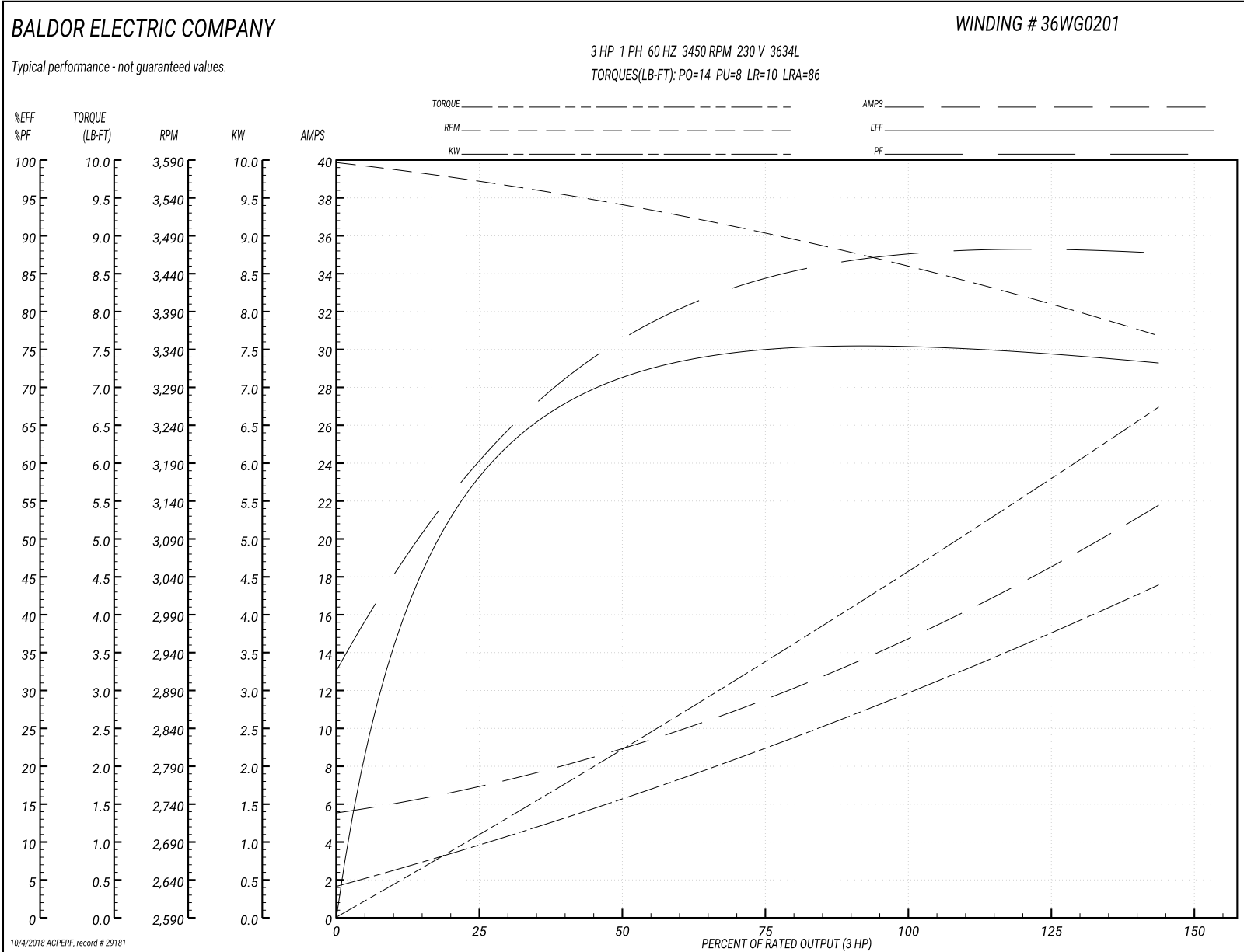
| | | |
|-------------------------------|--------------------|------------------------|
| Winding: 36WG0201-R001 | Type: 3634L | Enclosure: TEFC |
|-------------------------------|--------------------|------------------------|

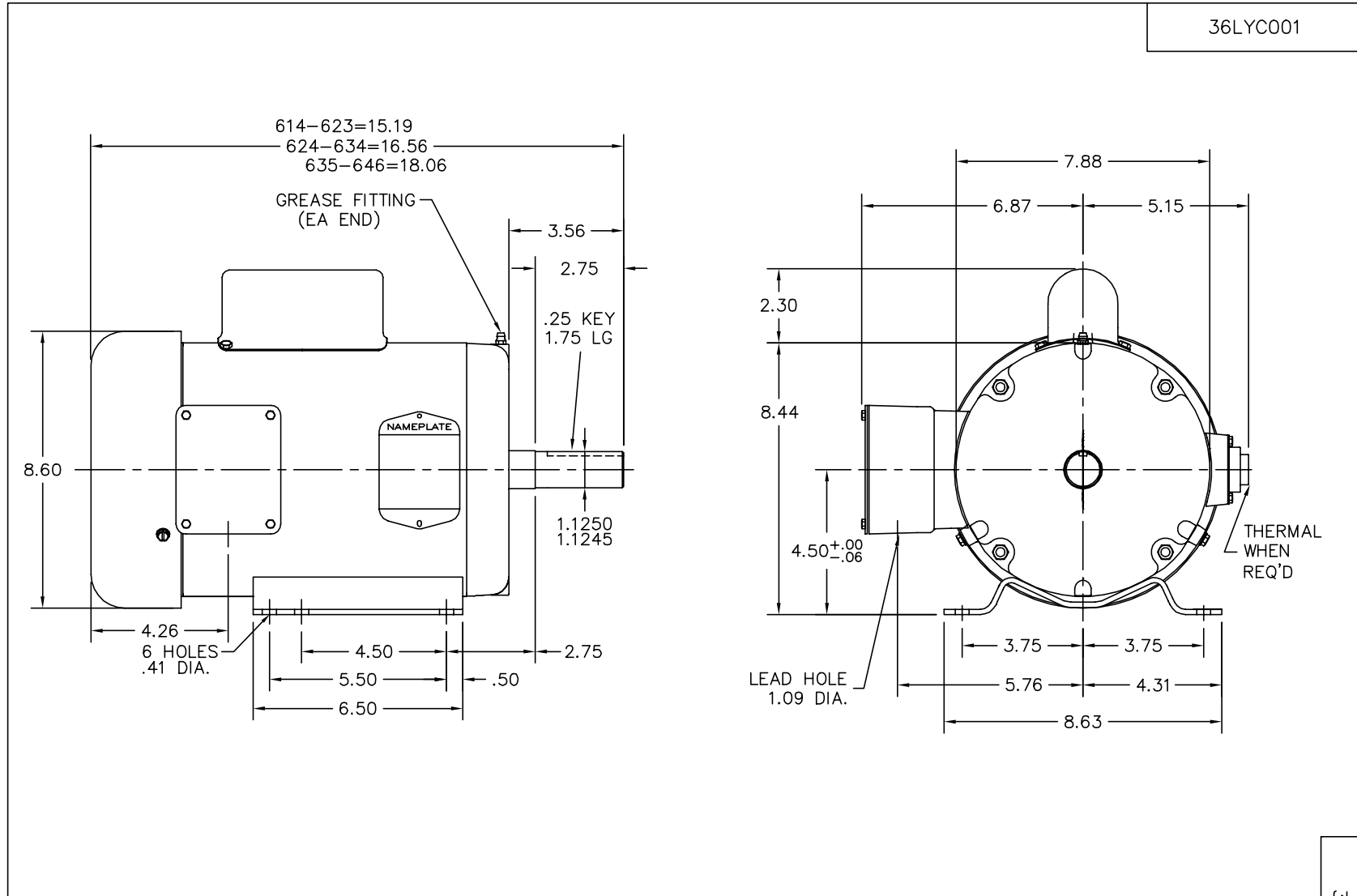
| Nameplate Data | | | | 230 V, 60 Hz: High Voltage Connection | |
|-----------------------|--------------|--------------|----|--|------------------------------|
| Rated Output (HP) | 3 | | | Full Load Torque | 4.5 LB-FT |
| Volts | 115/230 | | | Start Configuration | direct on line |
| Full Load Amps | 29/14.5 | | | Breakdown Torque | 14 LB-FT |
| R.P.M. | 3450 | | | Pull-up Torque | 8 LB-FT |
| Hz | 60 | Phase | 1 | Locked-rotor Torque | 10 LB-FT |
| NEMA Design Code | L | KVA Code | G | Starting Current | 86 A |
| Service Factor (S.F.) | 1.15 | | | No-load Current | 5.5 A |
| NEMA Nom. Eff. | 76 | Power Factor | 87 | Line-line Res. @ 25°C | 0.588 Ω A Ph 0.896 Ω B Ph |
| Rating - Duty | 40C AMB-CONT | | | Temp. Rise @ Rated Load | 80°C |
| S.F. Amps | | | | Temp. Rise @ S.F. Load | 95°C |

Load Characteristics 230 V, 60 Hz, 3 HP

| % of Rated Load | 25 | 50 | 75 | 100 | 125 | 150 | S.F. |
|-----------------|------|------|------|------|------|------|------|
| Power Factor | 70 | 83 | 88 | 91 | 92 | 92 | 92 |
| Efficiency | 61 | 71 | 73.5 | 76 | 75 | 73 | 75.4 |
| Speed | 3558 | 3526 | 3496 | 3457 | 3407 | 3356 | 3427 |
| Line amperes | 7 | 9 | 11.5 | 14.5 | 18 | 21.8 | 16.6 |

Performance Graph at 230V, 60Hz, 3.0HP Typical performance - Not guaranteed values





CUSTOMER IS RESPONSIBLE FOR DETERMINING THAT MOTOR PERFORMANCE IS SUITABLE IN THE APPLICATION.

REV. DESC: FREEZE LINES SHOWING THROUGH CAPACITOR/KO BOX

REV. LTR: Q

VERSION: 02

TDR: 000000384004

BALDOR ELECTRIC Co.

1000A19E

FILE: \AAA\00003\194

REVISED: 15:47:16 12/22/2005

MTL: -

BY: ENCHRCO

STD HORZ 182-4T TEFC 36L

36LYC001

CD0001



| | | | |
|---|---------|------------------------|--------------|
| REV. DESC: REVISE TO SHOW OPTIONAL COLORS | | | |
| REV. LTR: D | BY: JLP | REVISED: 04/08/99 1:16 | TDR: 0178636 |
| 100000 | | FILE: AAA00007405 | MDL: - |
| | | MTL: - | |

BALDOR ELECTRIC Co.

TYPE L, DV, REV, 6 LEADS

CD0001