

BALDOR® • RELIANCE 

Product Information Packet

L3708T-50

5HP, 1450RPM, 1PH, 50HZ, 213T, 3732LC, TEFC, F1

Part Detail							
Revision:	P	Status:	PRD/A	Change #:		Proprietary:	No
Type:	AC	Elec. Spec:	37WGT916	CD Diagram:	CD0017A02	Mfg Plant:	
Mech. Spec:	37K247	Layout:	37LYK247	Poles:	04	Created Date:	08-21-2006
Base:	RG	Eff. Date:	07-28-2016	Leads:	2#14 A PH,2#14 B PH		

Specs			
Catalog Number:	L3708T-50	Inverter Code:	Not Inverter
Enclosure:	TEFC	KVA Code:	G
Frame:	213T	Lifting Lugs:	Standard Lifting Lugs
Frame Material:	Steel	Locked Bearing Indicator:	No Locked Bearing
Output @ Frequency:	5.000 HP @ 50 HZ	Motor Lead Quantity/Wire Size:	2 @ 14 AWG, A PH
Synchronous Speed @ Frequency:	1500 RPM @ 50 HZ	Motor Lead Exit:	Ko Box
Voltage @ Frequency:	220.0 V @ 50 HZ	Motor Lead Termination:	Flying Leads
XP Class and Group:	None	Motor Type:	3732LC
XP Division:	Not Applicable	Mounting Arrangement:	F1
Agency Approvals:	UR	Power Factor:	92
	WEEE	Product Family:	General Purpose
	CSA	Pulley End Bearing Type:	Ball
	CE	Pulley Face Code:	Standard
Auxillary Box:	No Auxillary Box	Pulley Shaft Indicator:	Standard
Auxillary Box Lead Termination:	None	Rodent Screen:	None
Base Indicator:	Rigid	RoHS Status:	ROHS COMPLIANT
Bearing Grease Type:	Polyrex EM (-20F +300F)	Shaft Extension Location:	Pulley End
Blower:	None	Shaft Ground Indicator:	No Shaft Grounding

Current @ Voltage:	22.000 A @ 220.0 V	Shaft Rotation:	Reversible
Design Code:	L	Shaft Slinger Indicator:	No Slinger
Drip Cover:	No Drip Cover	Speed Code:	Single Speed
Duty Rating:	CONT	Motor Standards:	NEMA
Electrically Isolated Bearing:	Not Electrically Isolated	Starting Method:	Direct on line
Feedback Device:	NO FEEDBACK	Thermal Device - Bearing:	NONE (OLD)
Front Face Code:	Standard	Thermal Device - Winding:	None
Front Shaft Indicator:	None	Vibration Sensor Indicator:	No Vibration Sensor
Heater Indicator:	No Heater	Winding Thermal 1:	None
Insulation Class:	F	Winding Thermal 2:	None

Nameplate NP1372L										
CAT.NO.	L3708T-50									
SPEC.	37K247T916									
HP	5									
VOLTS	220									
AMP	22									
RPM	1450									
FRAME	213T				HZ	50			PH	1
SER.F.	1.00		CODE	G	DES	L		CL	F	
NEMA-NOM-EFF	84		PF	92						
RATING	40C AMB-CONT									
CC									USABLE AT 208V	
DE	6307				ODE	6206				
ENCL	TEFC		SN							
	IP54									

Parts List		
Part Number	Description	Quantity
SA146668	SA 37K247T916	1.000 EA
RA135738	RA 37K247T916	1.000 EA
37FN3002A01SP	EXFN, PLASTIC, 9.00 OD, 1.155 ID	1.000 EA
HA6361A01	LIFTING LUG FOR 37, 39 & 40 FRAME ZINC	2.000 EA
37CB3006	37 CB CASTING W/1.38 LEAD HOLE @ 6:00	1.000 EA
37GS1000SP	GASKET, CONDUIT BOX STD., .06 THICK LEXI	1.000 EA
51XW2520A12	.25-20 X .75, TAPTITE II, HEX WSHR SLTD	2.000 EA
11XW1032G06	10-32 X .38, TAPTITE II, HEX WSHR SLTD U	1.000 EA
37EP3101A01	FR ENDPLATE, FOR ROUTING PURPOSES	1.000 EA
HW4500A01	1641B(ALEMITE)400 UNIV, GREASE FITT	1.000 EA
13XT0832A07	8-32X7/16 TYP 23 PAN HD SLT DX	2.000 EA
37GS3012A01	GASKET,CAP.BOX 1/16"THICKLEXIDE SV-330 T	1.000 EA
10XN2520A10	1/4-20X 5/8 HEX HD X	2.000 EA
HW1001A25	LOCKWASHER 1/4, ZINC PLT .493 OD, .255 I	2.000 EA
HW5100A06	W2420-025 WVY WSHR (WB)	1.000 EA
37PE3100A01	PUEP ASSEMBLY - ROUTING PUPROSES	1.000 EA
HW4500A01	1641B(ALEMITE)400 UNIV, GREASE FITT	1.000 EA
XY3118A12	5/16-18 HEX NUT DIRECTIONAL SERRATION	4.000 EA
51XB1214A20	12-14X1.25 HXWSSLD SERTYB	1.000 EA
07FH4007A41	IEC FH W/GRSR, NOTCH @ 6:00 & 3 FAN CVR,	1.000 EA
51XW1032A06	10-32 X .38, TAPTITE II, HEX WSHR SLTD S	3.000 EA
37CB4516	LIPPED LID FOR 37 FRAME NEC KOBX	1.000 EA
37GS1008	37 GS FOR CB LID - LEXIDE	1.000 EA
51XW0832A07	8-32 X .44, TAPTITE II, HEX WSHR SLTD SE	4.000 EA

Parts List (continued)		
Part Number	Description	Quantity
HW2501F21	KEY, 5/16 SQ X 2.375	1.000 EA
HA7000A02	KEY RETAINER RING, 1 1/8 DIA, 1 3/8 DIA	1.000 EA
85XU0407S04	4X1/4 U DRIVE PIN STAINLESS	2.000 EA
LB1115N	LABEL,LIFTING DEVICE (ON ROLLS)	1.000 EA
37CB5005A04	CAPACITOR BOX KIT, 37CB3802, OC3060F10,	1.000 EA
MJ1000A02	GREASE, POLYREX EM EXXON (USe 4824-15A)	0.050 LB
WD1000A03	41531 AMP FLG.TERM,4M/REEL(2.5MIL)	6.000 EA
MG1000G27	MED CHARCOAL METALLIC GREY 400-0096	0.028 GA
HA4067A01	PUSH IN DRAIN FITTING (BLACK)	1.000 EA
HA4067A01	PUSH IN DRAIN FITTING (BLACK)	1.000 EA
NS2539	INSULATOR FOR 37 FRAMESWITCH (MH1011A10)	1.000 EA
SP5172A05	37 TYPE LC TORQ STAT SW LEAD ASSEMBLY	1.000 EA
HA3104A27	THRUBOLT 5/16 18 X 12.438 X	4.000 EA
NS2539	INSULATOR FOR 37 FRAMESWITCH (MH1011A10)	1.000 EA
LB1119N	WARNING LABEL	1.000 EA
LC0017	CONN LABEL-1 PHASE-SINGLE VOLT-REV ROTNO	1.000 EA
NP1372L	ALUM UL CSA CE CC	1.000 EA
36PA1001	PKG GRP, PRINT PK1017A06	1.000 EA
MN416A01	TAG-INSTAL-MAINT no wire (1200/bx) 5/18	1.000 EA

Accessories		
Part Number	Description	Multiplier
37-3301	C FACE KIT	P1

AC Induction Motor Performance Data

Record # 23254 - Typical performance - not guaranteed values

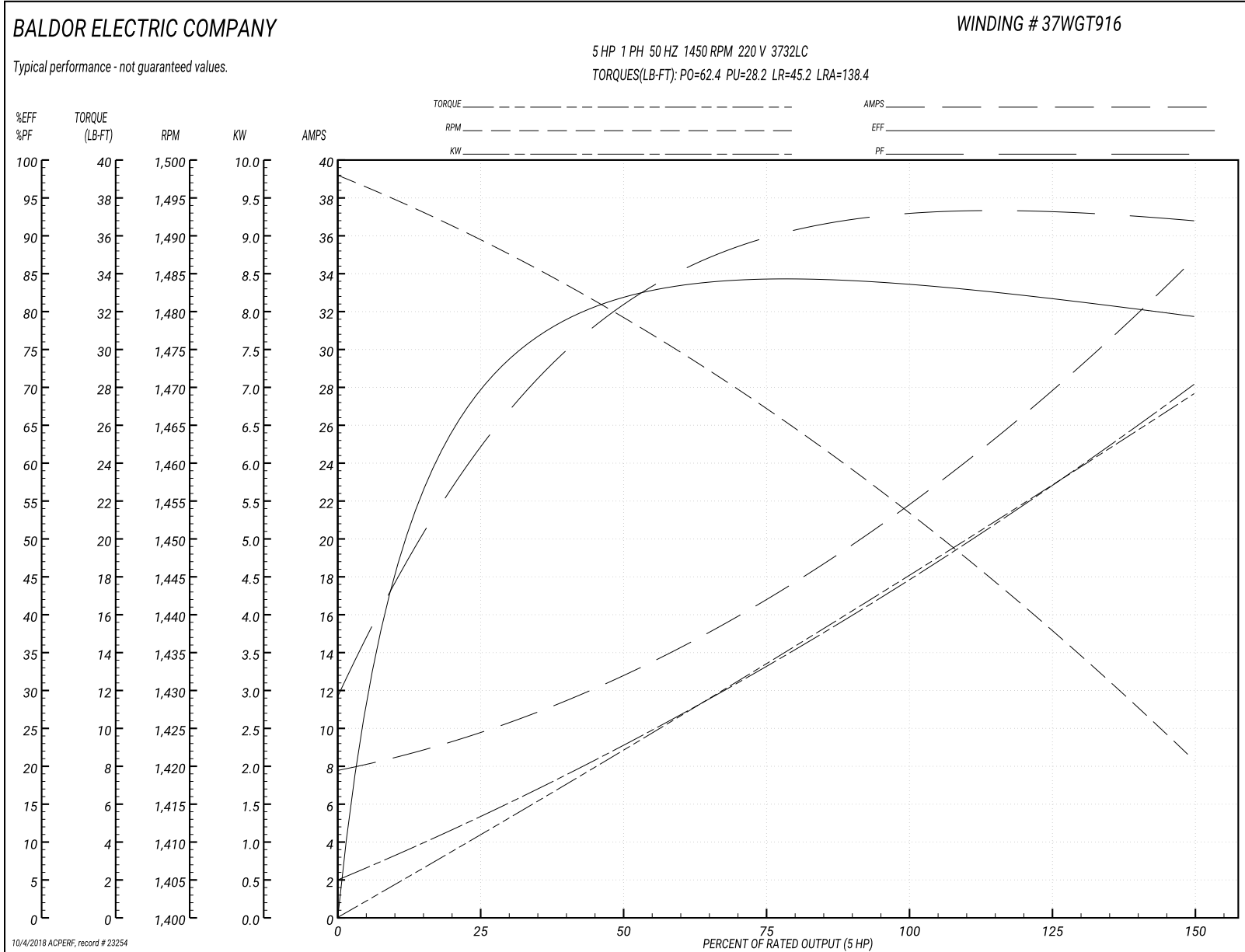
Winding: 37WGT916-R001	Type: 3732LC	Enclosure: TEFC
-------------------------------	---------------------	------------------------

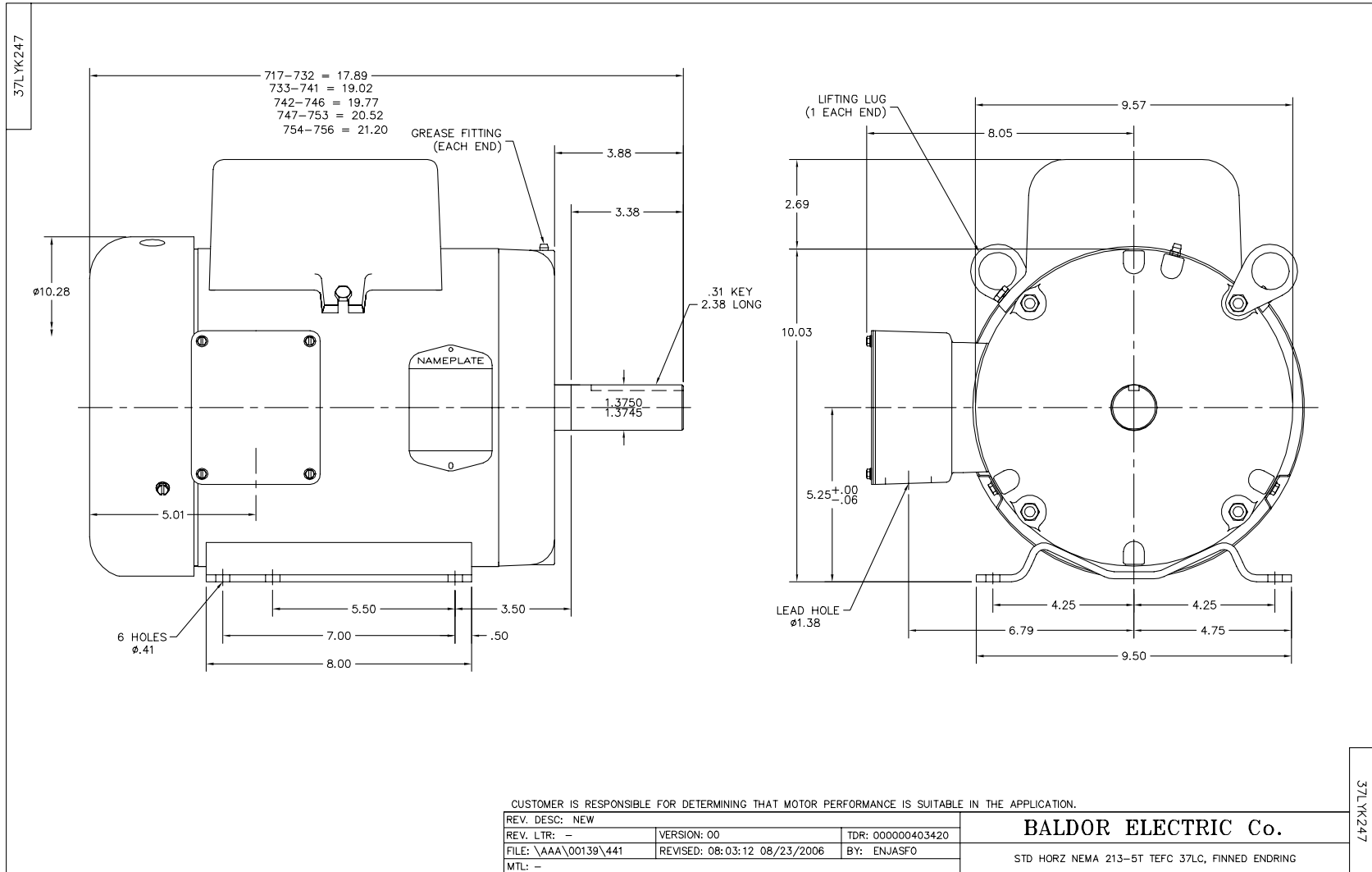
Nameplate Data				220 V, 50 Hz: Single Voltage Motor	
Rated Output (HP)	5			Full Load Torque	18.1 LB-FT
Volts	220			Start Configuration	direct on line
Full Load Amps	22			Breakdown Torque	62.4 LB-FT
R.P.M.	1450			Pull-up Torque	28.2 LB-FT
Hz	50	Phase	1	Locked-rotor Torque	45.2 LB-FT
NEMA Design Code	L	KVA Code	G	Starting Current	138.4 A
Service Factor (S.F.)	1			No-load Current	8.03 A
NEMA Nom. Eff.	84	Power Factor	92	Line-line Res. @ 25°C	0.378 Ω A Ph 1.32 Ω B Ph
Rating - Duty	40C AMB-CONT			Temp. Rise @ Rated Load	75°C

Load Characteristics 220 V, 50 Hz, 5 HP

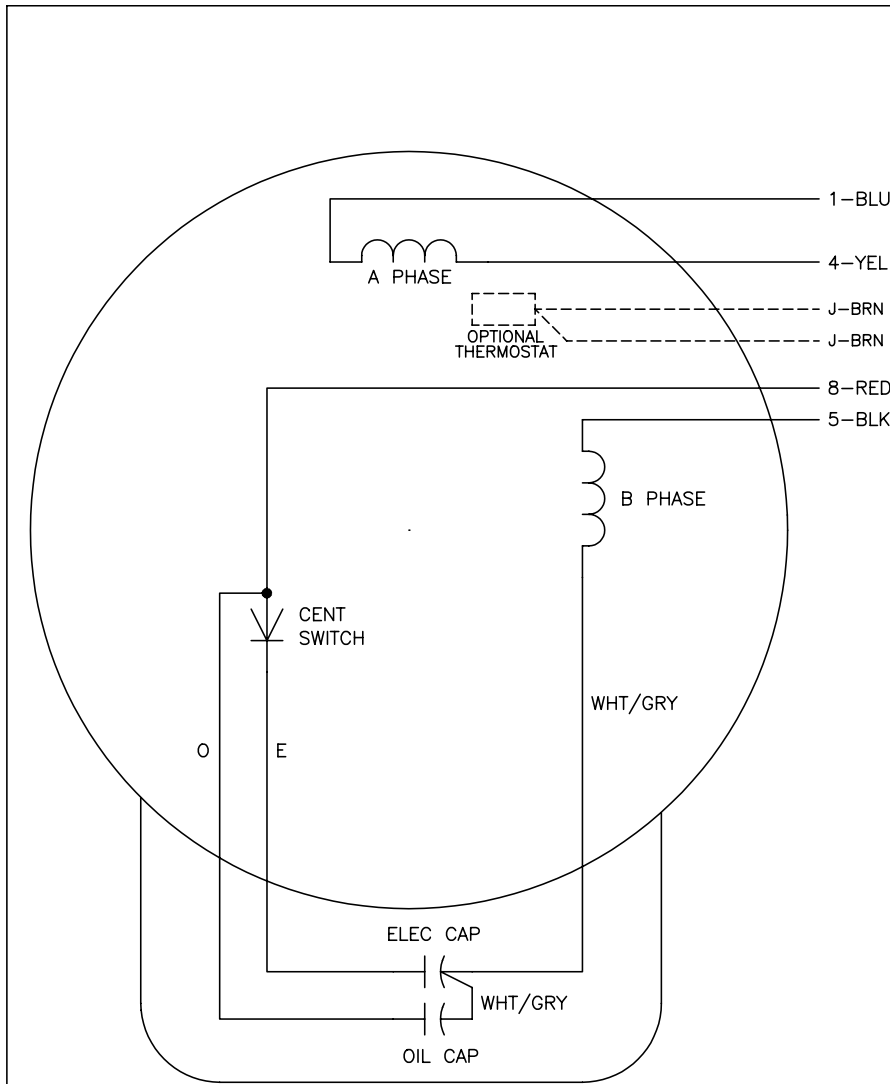
% of Rated Load	25	50	75	100	125	150
Power Factor	66	82	89	92	93	93
Efficiency	69.3	80.6	84.1	84	82.3	79
Speed	1488	1479	1467	1454	1438	1420
Line amperes	9.35	12.8	17	22.1	27.9	34.8

Performance Graph at 220V, 50Hz, 5.0HP Typical performance - Not guaranteed values





CD0017A02



	LINE A	LINE B
STD	1,8	4,5
OPP	1,5	4,8

NOTES:

1. STANDARD ROTATION IS CCW FACING END OPPOSITE SHAFT EXTENSION.
2. OPTIONAL THERMOSTAT IS PROVIDED WHEN SPECIFIED.
3. MULTIPLE CAPACITORS ARE CONNECTED IN PARALLEL UNLESS OTHERWISE SPECIFIED.
4. LEAD COLORS ARE OPTIONAL. LEADS MUST ALWAYS BE NUMBERED AS SHOWN.

REV. DESC: REVISE TO SHOW OPTIONAL COLORS			
REV. LTR: B	BY: JLP	REVISED: 04/09/99 11:30	TDR: 0178636
CD0017A02		FILE: AAA00007514	MDL: -
		MTL: -	

BALDOR ELECTRIC Co.

TYPE LC, SV, REV, 4 LEADS

CD0017A02