

BALDOR® • RELIANCE 

Product Information Packet

L5020

5HP, 1725RPM, 1PH, 60HZ, 215, 3744LC, XPFC, F1

Part Detail							
Revision:	D	Status:	PRD/A	Change #:		Proprietary:	No
Type:	AC	Elec. Spec:	37WGR623	CD Diagram:	CD0017A02	Mfg Plant:	
Mech. Spec:	37J018	Layout:	37LYJ018	Poles:	04	Created Date:	05-08-2014
Base:	RG	Eff. Date:	12-21-2017	Leads:	2#12 A PH,2#14 B PH		

Specs			
Catalog Number:	L5020	KVA Code:	J
Enclosure:	XPFC	Lifting Lugs:	Standard Lifting Lugs
Frame:	215	Locked Bearing Indicator:	No Locked Bearing
Frame Material:	Steel	Motor Lead Quantity/Wire Size:	2 @ 12 AWG, A PH
Output @ Frequency:	5.000 HP @ 60 HZ	Motor Lead Exit:	Ko Box
Synchronous Speed @ Frequency:	1800 RPM @ 60 HZ	Motor Lead Termination:	Flying Leads
Voltage @ Frequency:	230.0 V @ 60 HZ	Motor Type:	3744LC
XP Class and Group:	CLI GP D	Mounting Arrangement:	F1
XP Division:	Division I	Power Factor:	92
Agency Approvals:	UL	Product Family:	General Purpose
	CSA	Pulley End Bearing Type:	Ball
Auxillary Box:	No Auxillary Box	Pulley Face Code:	Standard
Auxillary Box Lead Termination:	None	Pulley Shaft Indicator:	Standard
Base Indicator:	Rigid	Rodent Screen:	None
Bearing Grease Type:	Polyrex EM (-20F +300F)	Shaft Extension Location:	Pulley End
Blower:	None	Shaft Ground Indicator:	No Shaft Grounding
Current @ Voltage:	21.000 A @ 230.0 V	Shaft Rotation:	Reversible
Design Code:	-	Shaft Slinger Indicator:	No Slinger

Drip Cover:	No Drip Cover	Speed Code:	Single Speed
Duty Rating:	CONT	Motor Standards:	NEMA
Electrically Isolated Bearing:	Not Electrically Isolated	Starting Method:	Direct on line
Feedback Device:	NO FEEDBACK	Thermal Device - Bearing:	None
Front Face Code:	Standard	Thermal Device - Winding:	Normally Closed Thermostat
Front Shaft Indicator:	None	Vibration Sensor Indicator:	No Vibration Sensor
Heater Indicator:	No Heater	Winding Thermal 1:	None
Insulation Class:	B	Winding Thermal 2:	None
Inverter Code:	Not Inverter	XP Temp Code:	T2C

Nameplate NP0015XPSL	
NO.	[] CC []
SER.	[]
SPEC.	37J018R623G1
CAT.NO.	L5020
HP	5 T. CODE T2C
VOLTS	230
AMPS	21
RPM	1725
HZ	60 PH 1 CL B
SER.F.	1.00 DES - CODE J
RATING	40C AMB-CONT
FRAME	215 NEMA-NOM-EFF 84
USABLE AT 208V	PF 92
BLANK	[]

Parts List		
Part Number	Description	Quantity
SA280815	SA 37J018R623G1	1.000 EA
RA267315	RA 37J018R623G1	1.000 EA
OC3030F11SP	CAPACITOR 30 MFD 370 VAC	1.000 EA
EC1216D06	ELEC CAP, 216-259MFD, 330V, 2.06D X 4.38	2.000 EA
35CB3001A02SP	EXPL PROOF CONDUIT BOX, 3/4"PIPE TAP LEA	1.000 EA
11XW1032G06	10-32 X .38, TAPTITE II, HEX WSHR SLTD U	1.000 EA
HW3001B01	BRASS CUP WASHER, FOR #10 SCREW	1.000 EA
37EP1703A01	FRONT EP, XPFC	1.000 EA
HW4500A19	1/4-28X1/4 SLOTTED PLUG F/S	2.000 EA
51XW0832A07	8-32 X .44, TAPTITE II, HEX WSHR SLTD SE	2.000 EA
HW5100A06	W2420-025 WVY WSHR (WB)	1.000 EA
37EP1701A02	PU ENDPLATE,TEFC, 1 FAN, W/GREASER, MACH	1.000 EA
HW4500A19	1/4-28X1/4 SLOTTED PLUG F/S	2.000 EA
XY5013A12	NUT,1/2-13,HEX,STEEL,ZINCPLATED	4.000 EA
07FH4007A03	IEC FH W/GRSR @ 2&10, 3 F/C HOL ROT 90 C	1.000 EA
51XW1032A06	10-32 X .38, TAPTITE II, HEX WSHR SLTD S	3.000 EA
35CB3500A01SP	CONDUIT BOX LID, MACH	1.000 EA
51XN2520A16	SCREW, HEX WS SLT, ZN, 1/4-20 X 1.00	4.000 EA
HW2501E18	KEY, 1/4 SQ X 2.000	1.000 EA
HA7000A02	KEY RETAINER RING, 1 1/8 DIA, 1 3/8 DIA	1.000 EA
NP0018F	ALUM UL XP CONDUIT BOX NAMEPLATE	1.000 EA
LB1115N	LABEL,LIFTING DEVICE (ON ROLLS)	1.000 EA
85XU0407S04	4X1/4 U DRIVE PIN STAINLESS	6.000 EA
HA6003A07	CAPACITOR CLAMP 37 XPROOF PLATED	3.000 EA

Parts List (continued)		
Part Number	Description	Quantity
51XW1032A08	10/32X1/2 HXWSHR HD, SL, SERATED	2.000 EA
MJ1000A02	GREASE, POLYREX EM EXXON (USe 4824-15A)	0.050 LB
37FN3002A01SP	EXFN, PLASTIC, 9.00 OD, 1.155 ID	1.000 EA
51XB1214A20	12-14X1.25 HXWSSLD SERTYB	1.000 EA
MG1025G29	WILKOFASST, 789.229, DARK CHARCOAL GRAY	0.028 GA
SP5172A33	.7 TYPE L TORQ STAT SWITCH LEAD ASSEMBLY	1.000 EA
HA3106A03	THRUBOLT- 1/2-13 X 11.875 X	4.000 EA
LB1119N	WARNING LABEL	1.000 EA
MN416A01	TAG-INSTAL-MAINT no wire (1200/bx) 5/18	1.000 EA
LC0017A01	CONN LABEL-1 PHASE-SINGLE VOLT-REV ROT X	1.000 EA
NP0015XPSL	SS XP UL CSA CC CL-I GP-D	1.000 EA
37PA1039	PALLET PACK GRP, PRINT PK1026A06	1.000 EA

AC Induction Motor Performance Data

Record # 45735 - Typical performance - not guaranteed values

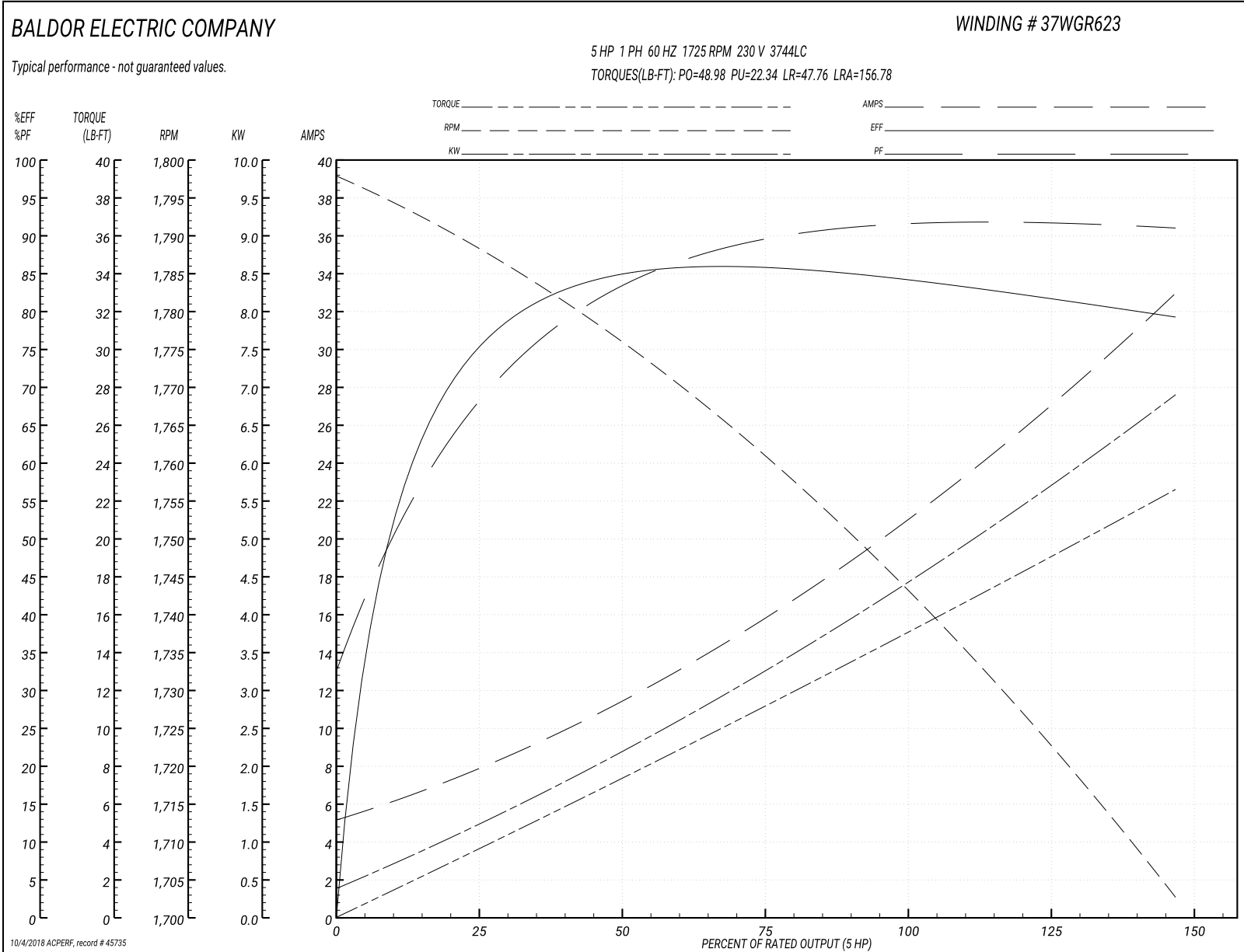
Winding: 37WGR623-R001	Type: 3744LC	Enclosure: XPFC
-------------------------------	---------------------	------------------------

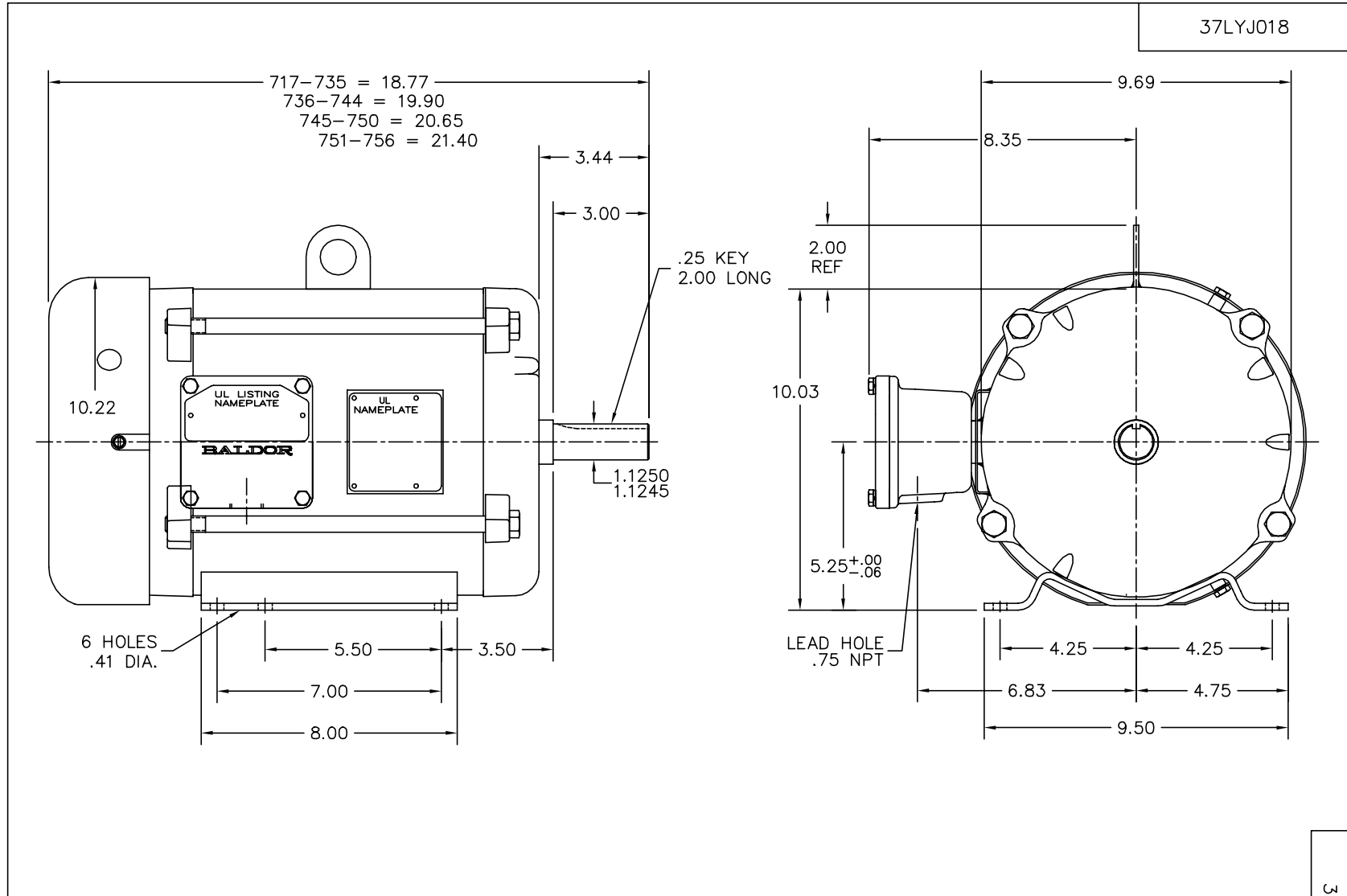
Nameplate Data				230 V, 60 Hz: Single Voltage Motor	
Rated Output (HP)	5			Full Load Torque	15.1 LB-FT
Volts	230			Start Configuration	direct on line
Full Load Amps	21			Breakdown Torque	48.98 LB-FT
R.P.M.	1725			Pull-up Torque	22.34 LB-FT
Hz	60	Phase	1	Locked-rotor Torque	47.76 LB-FT
NEMA Design Code	-	KVA Code	J	Starting Current	156.78 A
Service Factor (S.F.)	1			No-load Current	5.3 A
NEMA Nom. Eff.	84	Power Factor	92	Line-line Res. @ 25°C	0.298 Ω A Ph 2.17 Ω B Ph
Rating - Duty	40C AMB-CONT			Temp. Rise @ Rated Load	75°C

Load Characteristics 230 V, 60 Hz, 5 HP

% of Rated Load	25	50	75	100	125	150
Power Factor	76	87	91	92	93	92
Efficiency	74.9	84.1	85.7	84.5	82.4	78.9
Speed	1787	1774	1761	1743	1726	1701
Line amperes	7.7	11.6	16.2	21.1	26.7	33

Performance Graph at 230V, 60Hz, 5.0HP Typical performance - Not guaranteed values





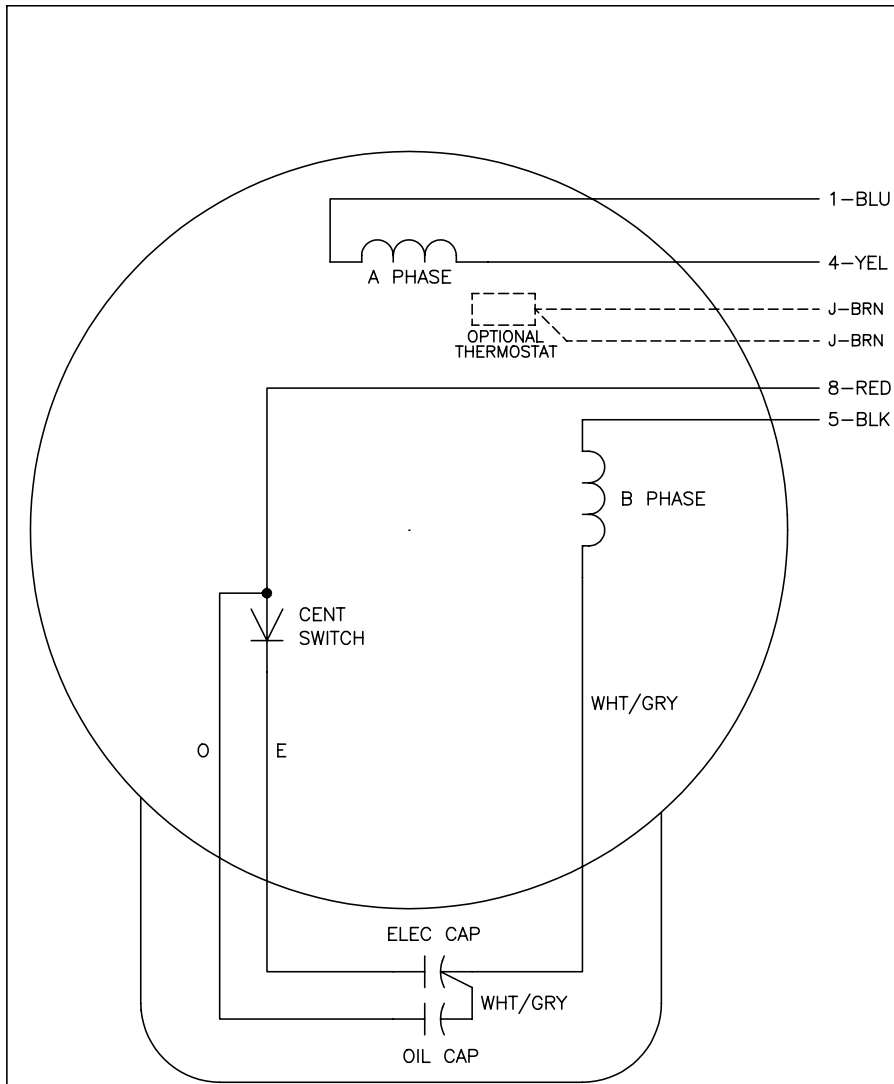
CUSTOMER IS RESPONSIBLE FOR DETERMINING THAT MOTOR PERFORMANCE IS SUITABLE IN THE APPLICATION.

REV. DESC: 37EP1703A01 WAS 37EP1703A09			
REV. LTR: D	BY: EAO	REVISED: 10:57:11 01/31/2001	TDR: 228720
810A7L3		FILE: AAA00025367	REF: 37LYJ018
		MTL: -	

BALDOR ELECTRIC Co.
STD HOR 213-5 XPFC 37L CL-1 GP-D

37LYJ018

CD0017A02



	LINE A	LINE B
STD	1,8	4,5
OPP	1,5	4,8

NOTES:

1. STANDARD ROTATION IS CCW FACING END OPPOSITE SHAFT EXTENSION.
2. OPTIONAL THERMOSTAT IS PROVIDED WHEN SPECIFIED.
3. MULTIPLE CAPACITORS ARE CONNECTED IN PARALLEL UNLESS OTHERWISE SPECIFIED.
4. LEAD COLORS ARE OPTIONAL. LEADS MUST ALWAYS BE NUMBERED AS SHOWN.

REV. DESC: REVISE TO SHOW OPTIONAL COLORS			
REV. LTR: B	BY: JLP	REVISED: 04/09/99 11:30	TDR: 0178636
20V71000		FILE: AAA00007514	MDL: -
		MTL: -	

BALDOR ELECTRIC Co.

TYPE LC, SV, REV, 4 LEADS

CD0017A02