

BALDOR® • RELIANCE 

Product Information Packet

L5028T

3HP,3450RPM,1PH,60HZ,184T,X3634L,XPFC,F1

Part Detail							
Revision:	AH	Status:	PRD/A	Change #:		Proprietary:	No
Type:	AC	Elec. Spec:	36WG0201	CD Diagram:	CD0001	Mfg Plant:	
Mech. Spec:	36N001	Layout:	36LYN001	Poles:	02	Created Date:	
Base:	RG	Eff. Date:	09-10-2015	Leads:	4#14 A PH,2#16 B PH		

Specs			
Catalog Number:	L5028T	Inverter Code:	Not Inverter
Enclosure:	XPFC	KVA Code:	G
Frame:	184T	Lifting Lugs:	No Lifting Lugs
Frame Material:	Steel	Locked Bearing Indicator:	No Locked Bearing
Output @ Frequency:	3.000 HP @ 60 HZ	Motor Lead Quantity/Wire Size:	4 @ 14 AWG, A PH
Synchronous Speed @ Frequency:	3600 RPM @ 60 HZ	Motor Lead Exit:	Ko Box
Voltage @ Frequency:	115.0 V @ 60 HZ	Motor Lead Termination:	Flying Leads
	230.0 V @ 60 HZ	Motor Type:	3634L
XP Class and Group:	CLI GP D	Mounting Arrangement:	F1
XP Division:	Division I	Power Factor:	87
Agency Approvals:	UL	Product Family:	General Purpose
	CSA	Pulley End Bearing Type:	Ball
Auxillary Box:	No Auxillary Box	Pulley Face Code:	Standard
Auxillary Box Lead Termination:	None	Pulley Shaft Indicator:	Standard
Base Indicator:	Rigid	Rodent Screen:	None
Bearing Grease Type:	Polyrex EM (-20F +300F)	Shaft Extension Location:	Pulley End
Blower:	None	Shaft Ground Indicator:	No Shaft Grounding
Current @ Voltage:	14.500 A @ 230.0 V	Shaft Rotation:	Reversible

	29.000 A @ 115.0 V	Shaft Slinger Indicator:	No Slinger
Design Code:	L	Speed Code:	Single Speed
Drip Cover:	No Drip Cover	Motor Standards:	NEMA
Duty Rating:	CONT	Starting Method:	Direct on line
Electrically Isolated Bearing:	Not Electrically Isolated	Thermal Device - Bearing:	NONE (OLD)
Feedback Device:	NO FEEDBACK	Thermal Device - Winding:	Normally Closed Thermostat
Front Face Code:	Standard	Vibration Sensor Indicator:	No Vibration Sensor
Front Shaft Indicator:	None	Winding Thermal 1:	None
Heater Indicator:	No Heater	Winding Thermal 2:	None
Insulation Class:	B	XP Temp Code:	T2C

Nameplate NP0015XPSL	
NO.	[] CC []
SER.	[]
SPEC.	36N01-201
CAT.NO.	L5028T
HP	3 T. CODE T2C
VOLTS	115/230
AMPS	29/14.5
RPM	3450
HZ	60 PH 1 CL B
SER.F.	1.00 DES L CODE G
RATING	40C AMB-CONT
FRAME	184T NEMA-NOM-EFF 76
USABLE AT 208V	PF 87
BLANK	[]

Parts List		
Part Number	Description	Quantity
SA037276	SA 36N01-201	1.000 EA
RA033301	RA 36N01-201	1.000 EA
EC1400A03SP	ELEC CAP, 400-480 MFD, 125V, 1.81D X 3.	1.000 EA
EC1460A03	ELEC CAP 115V 1.8 X 3.3 CK - WESTVILLE	1.000 EA
35CB3001A02SP	EXPL PROOF CONDUIT BOX, 3/4"PIPE TAP LEA	1.000 EA
11XW1032G06	10-32 X .38, TAPTITE II, HEX WSHR SLTD U	1.000 EA
HW3001B01	BRASS CUP WASHER, FOR #10 SCREW	1.000 EA
36EP3700A01	FR ENDPLATE, MACH	1.000 EA
HW4500A19	1/4-28X1/4 SLOTTED PLUG F/S	2.000 EA
13XF0832A08	8-32 X.50 PAN HD,SLTD, TYPE F SCREW, ZIN	2.000 EA
HW5100A05	WVY WSHR F/205 & 304 BRGS	1.000 EA
36EP3701A01	PU ENDPLATE, MACH	1.000 EA
HW4500A19	1/4-28X1/4 SLOTTED PLUG F/S	2.000 EA
XY3816A12	3/8-16 FINISHED NUT	4.000 EA
36FH4009A02	FAN COVER FOR VM7042T,PRIMER	1.000 EA
51XW1032A06	10-32 X .38, TAPTITE II, HEX WSHR SLTD S	3.000 EA
35CB3500A01SP	CONDUIT BOX LID, MACH	1.000 EA
51XN2520A16	SCREW, HEX WS SLT, ZN, 1/4-20 X 1.00	4.000 EA
HW2501E16	KEY, 1/4 SQ X 1.750	1.000 EA
HA7000A02	KEY RETAINER RING, 1 1/8 DIA, 1 3/8 DIA	1.000 EA
NP0018F	ALUM UL XP CONDUIT BOX NAMEPLATE	1.000 EA
85XU0407S04	4X1/4 U DRIVE PIN STAINLESS	6.000 EA
HA6003A52	CLAMP, CAPACITOR, WHITE ZINC PLATED	2.000 EA
51XW0832A07	8-32 X .44, TAPTITE II, HEX WSHR SLTD SE	2.000 EA

Parts List (continued)		
Part Number	Description	Quantity
MJ1000A02	GREASE, POLYREX EM EXXON (USe 4824-15A)	0.050 LB
51XB1214A16	12-14X1.00 HXWSSLD SERTYB	1.000 EA
MG1025G29	WILKOFASST, 789.229, DARK CHARCOAL GRAY	0.022 GA
HA3105A06	THRUBOLT- 3/8-16 X 10.500 X	4.000 EA
35FN3002A04SP	EXFN, PLASTIC, 6.376 OD, .906 ID W/KEY	1.000 EA
SP5172A39	37 TYPE L TORQ STAT SWITCH LEAD ASSEMBLY	1.000 EA
LB1119N	WARNING LABEL	1.000 EA
LC0081	CONNECTION LABEL X	1.000 EA
NP0015XPSL	SS XP UL CSA CC CL-I GP-D	1.000 EA
36PA1001	PKG GRP, PRINT PK1017A06	1.000 EA
MN416A01	TAG-INSTAL-MAINT no wire (1200/bx) 5/18	1.000 EA

AC Induction Motor Performance Data

Record # 20849 - Typical performance - not guaranteed values

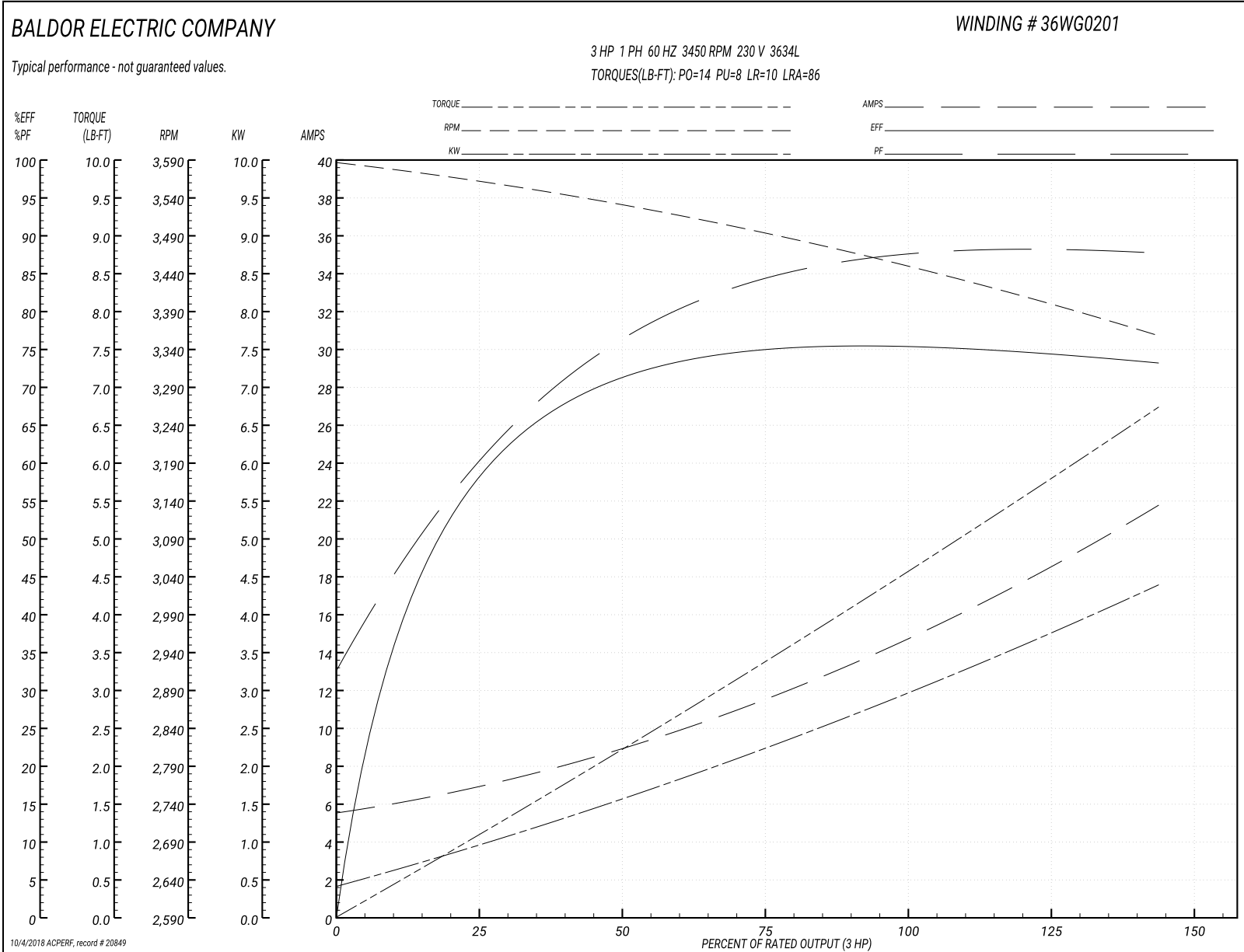
Winding: 36WG0201-R002	Type: 3634L	Enclosure: XPFC
-------------------------------	--------------------	------------------------

Nameplate Data				230 V, 60 Hz: High Voltage Connection	
Rated Output (HP)	3			Full Load Torque	4.5 LB-FT
Volts	115/230			Start Configuration	direct on line
Full Load Amps	29/14.5			Breakdown Torque	14 LB-FT
R.P.M.	3450			Pull-up Torque	8 LB-FT
Hz	60	Phase	1	Locked-rotor Torque	10 LB-FT
NEMA Design Code	L	KVA Code	G	Starting Current	86 A
Service Factor (S.F.)	1			No-load Current	5.5 A
NEMA Nom. Eff.	76	Power Factor	87	Line-line Res. @ 25°C	0.588 Ω A Ph 0.896 Ω B Ph
Rating - Duty	40C AMB-CONT			Temp. Rise @ Rated Load	80°C

Load Characteristics 230 V, 60 Hz, 3 HP

% of Rated Load	25	50	75	100	125	150	S.F.
Power Factor	70	83	88	91	92	92	92
Efficiency	61	71	73.5	76	75	73	75.4
Speed	3558	3526	3496	3457	3407	3356	3427
Line amperes	7	9	11.5	14.5	18	21.8	16.6

Performance Graph at 230V, 60Hz, 3.0HP Typical performance - Not guaranteed values



AC Induction Motor Performance Data

Record # 64041 - Typical performance - not guaranteed values

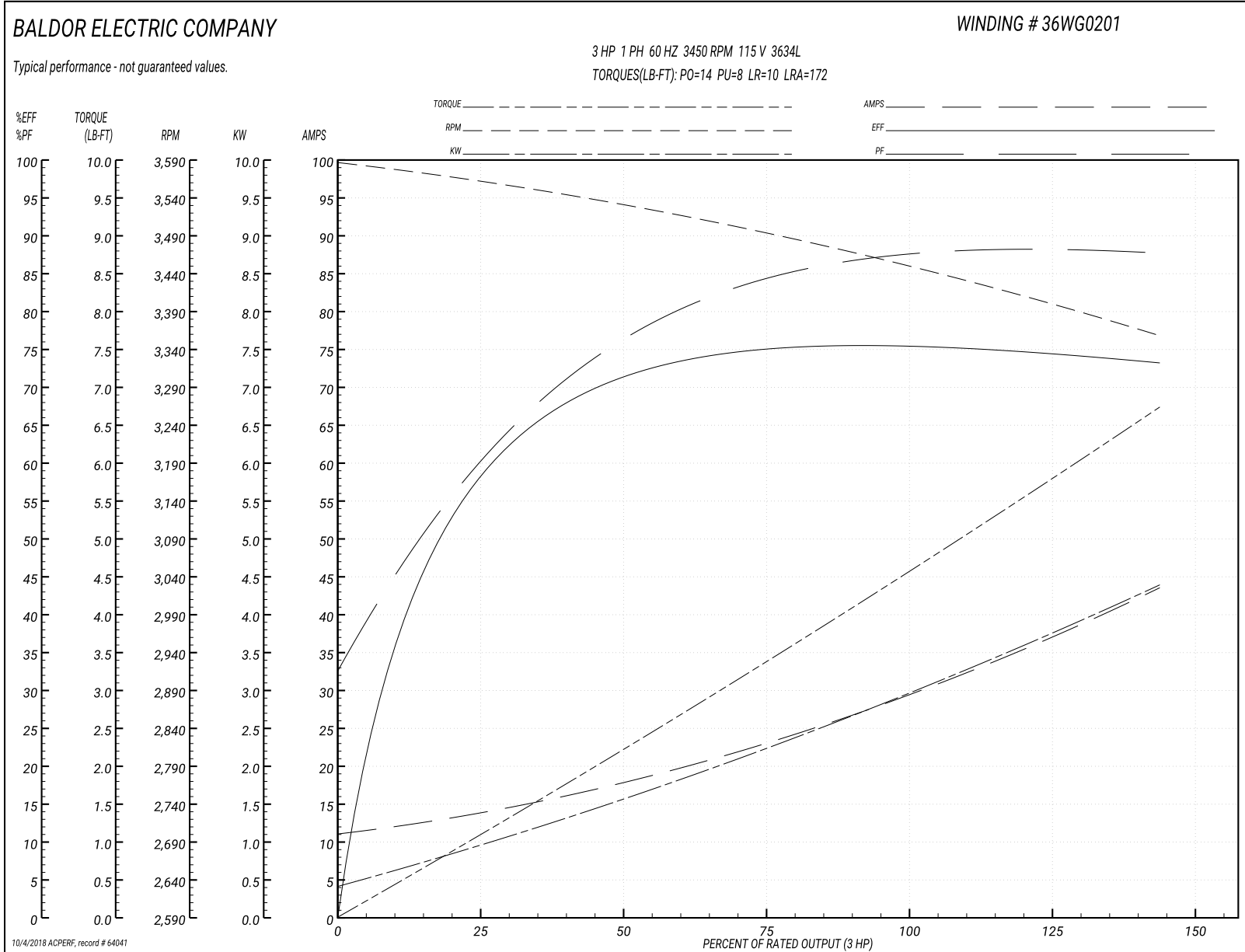
Winding: 36WG0201-R002	Type: 3634L	Enclosure: XPFC
-------------------------------	--------------------	------------------------

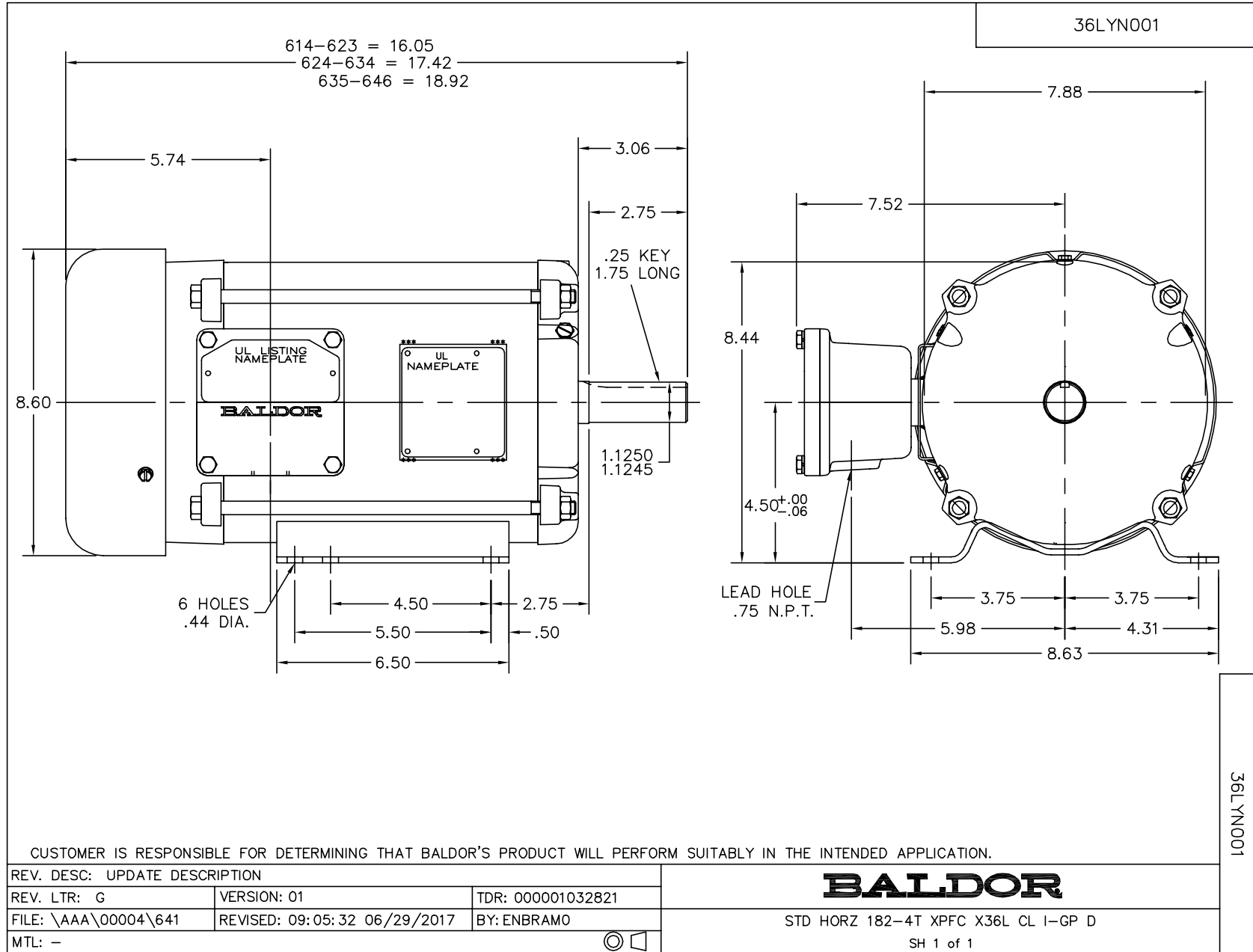
Nameplate Data				115 V, 60 Hz: Low Voltage Connection	
Rated Output (HP)	3			Full Load Torque	4.5 LB-FT
Volts	115/230			Start Configuration	direct on line
Full Load Amps	29/14.5			Breakdown Torque	14 LB-FT
R.P.M.	3450			Pull-up Torque	8 LB-FT
Hz	60	Phase	1	Locked-rotor Torque	10 LB-FT
NEMA Design Code	L	KVA Code	G	Starting Current	172 A
Service Factor (S.F.)	1			No-load Current	11 A
NEMA Nom. Eff.	76	Power Factor	87	Line-line Res. @ 25°C	0.149 Ω A Ph 0.89 Ω B Ph
Rating - Duty	40C AMB-CONT			Temp. Rise @ Rated Load	80°C
				Locked-rotor Power Factor	75.6
				Rotor inertia	0.153 LB-FT ²

Load Characteristics 115 V, 60 Hz, 3 HP

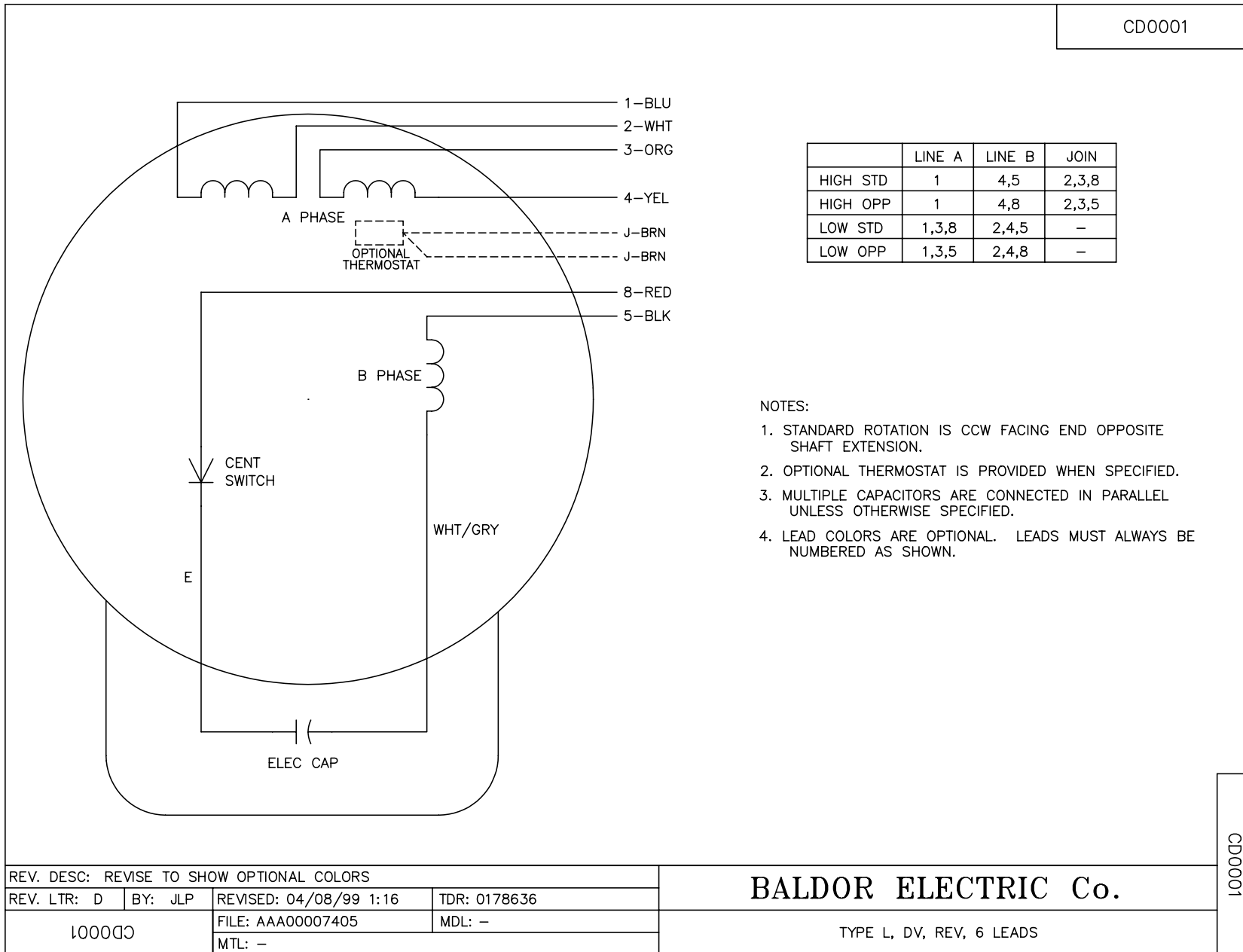
% of Rated Load	25	50	75	100	125	150
Power Factor	58	77	86	87	88	88
Efficiency	61.3	71	73.6	76	75	73
Speed	3558	3526	3496	3457	3407	3356
Line amperes	14	18	23	29	36	43.6

Performance Graph at 115V, 60Hz, 3.0HP Typical performance - Not guaranteed values





CD0001



REV. DESC: REVISE TO SHOW OPTIONAL COLORS			
REV. LTR: D	BY: JLP	REVISED: 04/08/99 1:16	TDR: 0178636
100000		FILE: AAA00007405	MDL: -
		MTL: -	

BALDOR ELECTRIC Co.

TYPE L, DV, REV, 6 LEADS

CD0001