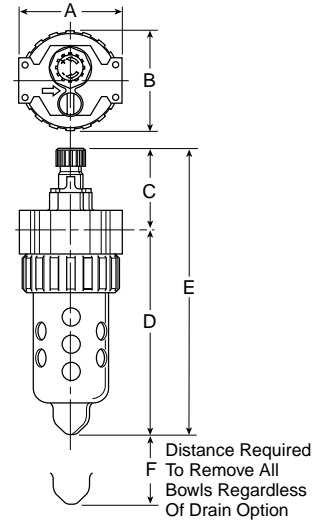


**L606 Micro-Mist Lubricators – Compact**



**Features**

- Proportional oil delivery over a wide range of air flows
- Generates oil particles of 5 micron or smaller downstream to lubricate systems having complex piping arrangements
- Precision needle valve assures repeatable oil delivery and provides simple adjustment of delivery rate
- Ideal for low and high flow applications with changing air flow
- Transparent sight dome for 360° visibility.
- Yellow fill cap identifies Micro-Mist Lubricator
- High Flow: 1/4" – 40 SCFM §  
 3/8" – 60 SCFM §  
 1/2" – 90 SCFM §



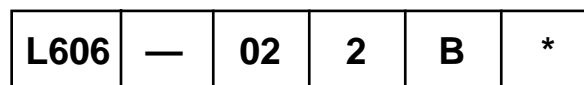
Port Size	NPT	
	Twist Drain	No Drain
Poly Bowl <sup>‡</sup> / Metal Guard		
1/4"	—	<b>L606-022B*</b>
3/8"	—	<b>L606-032B*</b>
1/2"	—	<b>L606-042B*</b>
Metal Bowl / Sight Gauge		
1/4"	<b>L606-024B*</b>	—
3/8"	<b>L606-034B*</b>	—
1/2"	<b>L606-044B*</b>	—

L606 Lubricator Dimensions			
A	B	C	D
2.81 (71)	2.74 (70)	2.24 (57)	5.58 (142)
D <sup>†</sup>	E	E <sup>†</sup>	F
5.69 (145)	7.82 (199)	7.93 (201)	2.25 (57)

Inches (mm)  
<sup>†</sup> With Twist Drain.

Standard part numbers shown bold.  
 For other models refer to ordering information below.  
<sup>‡</sup> For polycarbonate bowl and sight dome, see Caution on inside cover.  
<sup>§</sup> SCFM = Standard cubic feet per minute at 90 PSIG inlet and 5 PSIG pressure drop.

**Ordering Information**



Port Threads
— NPT
G* BSPP

\* 1/4 & 3/8 inch meet ISO 1179-1 Standard.

Port Size
<b>02</b> 1/4 Inch
<b>03</b> 3/8 Inch
<b>04</b> 1/2 Inch

Bowl Options	
Polycarbonate Bowl	Metal Bowl
<b>2</b> Metal Bowl Guard / No Drain	<b>4</b> Sight Gauge / Twist Drain
<b>6</b> Metal Bowl Guard / Pressure Fill	<b>8</b> Sight Gauge / Pressure Fill

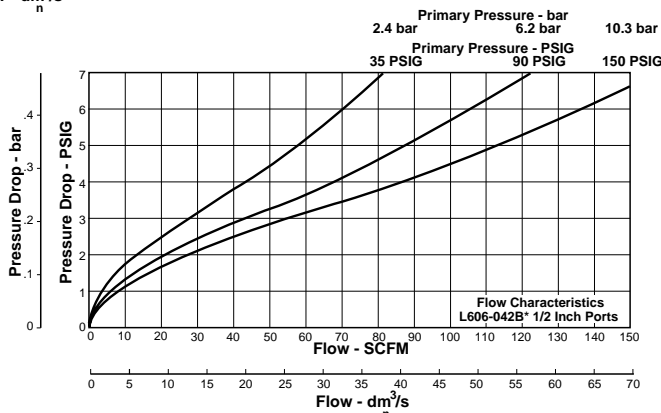
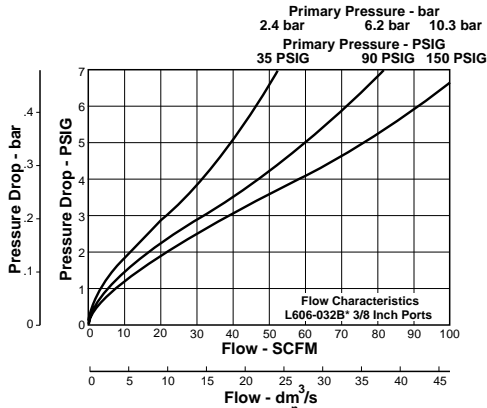
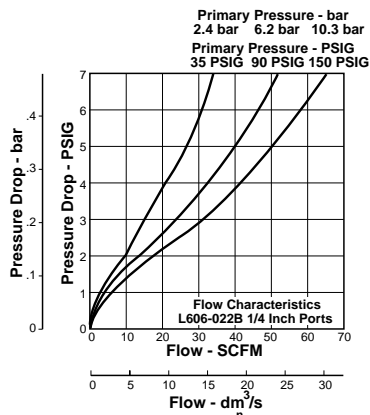
Options
<b>B</b> With Fill Plug
C With Fill Plug/Nylon Sight Dome
F With Body Pressure Fill
G With Body Pressure Fill / Nylon Sight Dome

Engineering Level
* Will be Entered at Factory.

**BOLD ITEMS ARE MOST POPULAR.**



**Technical Information**



**L606 Micro-Mist Lubricator  
 Kits & Accessories**

Adjustment Knob .....	P04121
<i>Adjustment Knob (Old L606)</i> .....	606Y72
Bowl Guard Kit .....	PS705
<b>Bowl Kits –</b>	
Poly Bowl – No Drain .....	PS746
Twist Drain .....	PS717
Pressure Fill .....	PS719
<i>Plastic Bowl Guard (Old L606)</i> .....	BK606Y
Metal Bowl – Sight Gauge / Twist Drain .....	PS729
Sight Gauge / Pressure Fill .....	PS720
<i>Zinc with Sight Gauge (Old L606)</i> .....	BK605WY
<b>Drain Kit – Twist Drain</b> .....	PS512
<b>Fill Cap Kit</b> .....	PS742
<b>Lubricator Service Kit</b> .....	PS748
<b>Mounting Bracket Kit</b> .....	PS743
<i>Mounting Bracket Kit (Old L606)</i> .....	SAF602-0571
<b>Oil – 1 Gal.</b> .....	F442002
12 Quart Case .....	F442003
4 Gallon Case .....	F442005
<b>Pressure Fill Adapter Kit</b> .....	PS716
<b>Pressure Fill Button</b> .....	P11912
<b>Button Head Fill Fitting (M14 Male Thread) (Old L606)</b> .....	L606C14
<b>Drip Tube Kit (Old L606)</b> .....	DTK606
<b>Drip Spout Kit (Old L606)</b> .....	RK606SY
<b>Sight Dome / Fill Cap Kit</b> .....	PS739
<b>Nylon Sight Dome Kit</b> .....	PS740N
<b>Repair Kits –</b>	
<i>Needle Valve Assembly (B, W) (Old L606)</i> .....	RK606Y
<i>Sight Gauge for “W” Bowl (Old L606)</i> .....	RKB605WY

**Specifications**

<b>Bowl Capacity</b> .....	2.60 Ounces
<b>Minimum Flow for Lubrication</b> .....	1 SCFM at 100 psig
<b>Port Threads</b> .....	1/4, 3/8, 1/2 Inch
<b>Pressure &amp; Temperature Rating –</b>	
Polycarbonate Bowl – 0 to 150 psig (0 to 10.3 bar)	32°F to 125°F (0°C to 52°C)
Metal Bowl – 0 to 250 psig (0 to 17.2 bar)	32°F to 175°F (0°C to 80°C)
<b>Suggested Lubricant</b> .....	F442 Oil
Petroleum based oil of 100 to 200 SSU viscosity at 100°F (38°C) and an aniline point greater than 200°F (93°C)	
(DO NOT USE OILS WITH ADDITIVES, COMPOUNDED OILS CONTAINING SOLVENTS, GRAPHITE, DETERGENTS, OR SYNTHETIC OILS.)	
<b>Weight</b> .....	1.2 lb. (.5 kg)
<b>Materials of Construction</b>	
<b>Body</b> .....	Zinc
<b>Bowls – Transparent</b> .....	Polycarbonate
Metal (With Sight Gauge) .....	Zinc
<b>Bowl Guard</b> .....	Steel
<b>Collar</b> .....	Plastic
<b>Drain – Twist – Body &amp; Nut</b> .....	Plastic
<b>Injector Meter Block &amp; Base Assembly</b> .....	Plastic
<b>Seals</b> .....	Nitrile
<b>Sight Dome</b> .....	Polyamide (Nylon)
<b>Sight Gauge</b> .....	Polyamide (Nylon)

